

RYOBI HAND HELD BLOWER – MODEL NUMBER RY08510

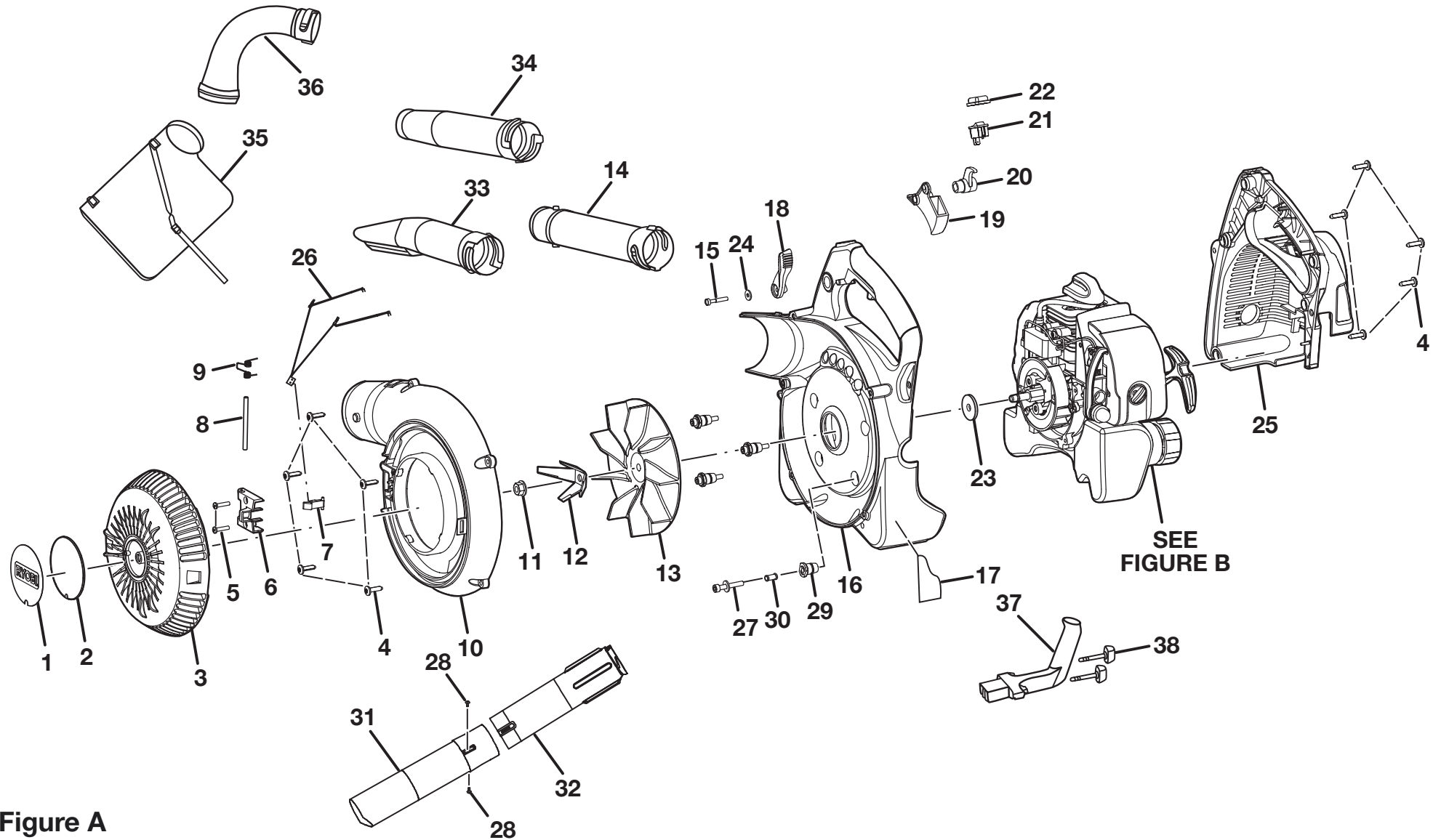


Figure A

RYOBI HAND HELD BLOWER – MODEL NUMBER RY08510

The model number will be found on a plate attached to the motor housing. Always mention the model number in all correspondence regarding your **BLOWER** or when ordering repair parts.

PARTS LIST (FIGURE A)

KEY NO.	PART NUMBER	DESCRIPTION	QTY	KEY NO.	PART NUMBER	DESCRIPTION	QTY
1	940627001	VACUUM DOOR LABEL.....	1	23	678126001	WASHER-FAN SPACER.....	1
2	518252001	VACUUM DOOR COVER.....	1	24	678125001	WASHER.....	1
3	518268001	VAC DOOR.....	1	25	518267001	ENGINE SHROUD HOUSING.....	1
4	660674001	* SCREW (#10-14 X 7/8 in.).....	10	26	870166001	VACUUM DOOR KILL SWITCH.....	1
5	660665001	* SCREW (#8-14 X 16.3 mm).....	2	27	660759002	* SCREW (M5 X 30 mm CAP HD.).....	4
6	518170001	VACUUM DOOR HINGE.....	1	28	660621001	* SCREW (10-14 X 1/2 in.).....	2
7	518254001	KILL SWITCH ACTIVATOR LEVER.....	1	29	570544002	VIBRATION ISOLATOR.....	4
8	650026002	HINGE PIN.....	1	30	678124001	AV BUSHING SLEEVE.....	4
9	678117001	VACUUM DOOR SPRING.....	1	31	570562001	TUBE-LOWER VACUUM.....	1
10	518266001	OUTER VOLUTE HOUSING.....	1	32	570561001	TUBE-UPPER VACUUM.....	1
11	678128002	RETAINING WASHER NUT.....	1	33	580613001	TUBE NOZZLE.....	1
12	678114001	BLADE-MULDER.....	1	34	570564001	TUBE-LOWER BLOWER.....	1
13	518265001	24.5 CC BLOWER FAN.....	1	35	900918001	VACUUM BAG ASSEMBLY.....	1
14	570543001	TUBE-UPPER BLOWER.....	1	36	570563001	TUBE ELBOW.....	1
15	660666001	* SCREW (#8-14 x 50 mm).....	1	37	518180001	HANDLE.....	1
16	518140001	HOUSING INNER VOLUTE.....	1	38	518273001	KNOB.....	2
17	940627005	WARNING LABEL.....	1	39	638179001	METAL MESH (NOT SHOWN).....	1
18	518160001	CRUISE LEVER.....	1	40	570624001	GROMMET (NOT SHOWN).....	1
19	518255001	TRIGGER.....	1		983000647	OPERATOR'S MANUAL (900968002)	
20	518150001	TRIGGER LOCK.....	1		983000647R	REPAIR SHEET (REV:03)	
21	760363003	SWITCH.....	1		03-31-06		
22	678121001	DUST COVER.....	1				

* STANDARD HARDWARE ITEM – MAY BE PURCHASED LOCALLY

RYOBI HAND HELD BLOWER - MODEL NUMBER RY08510

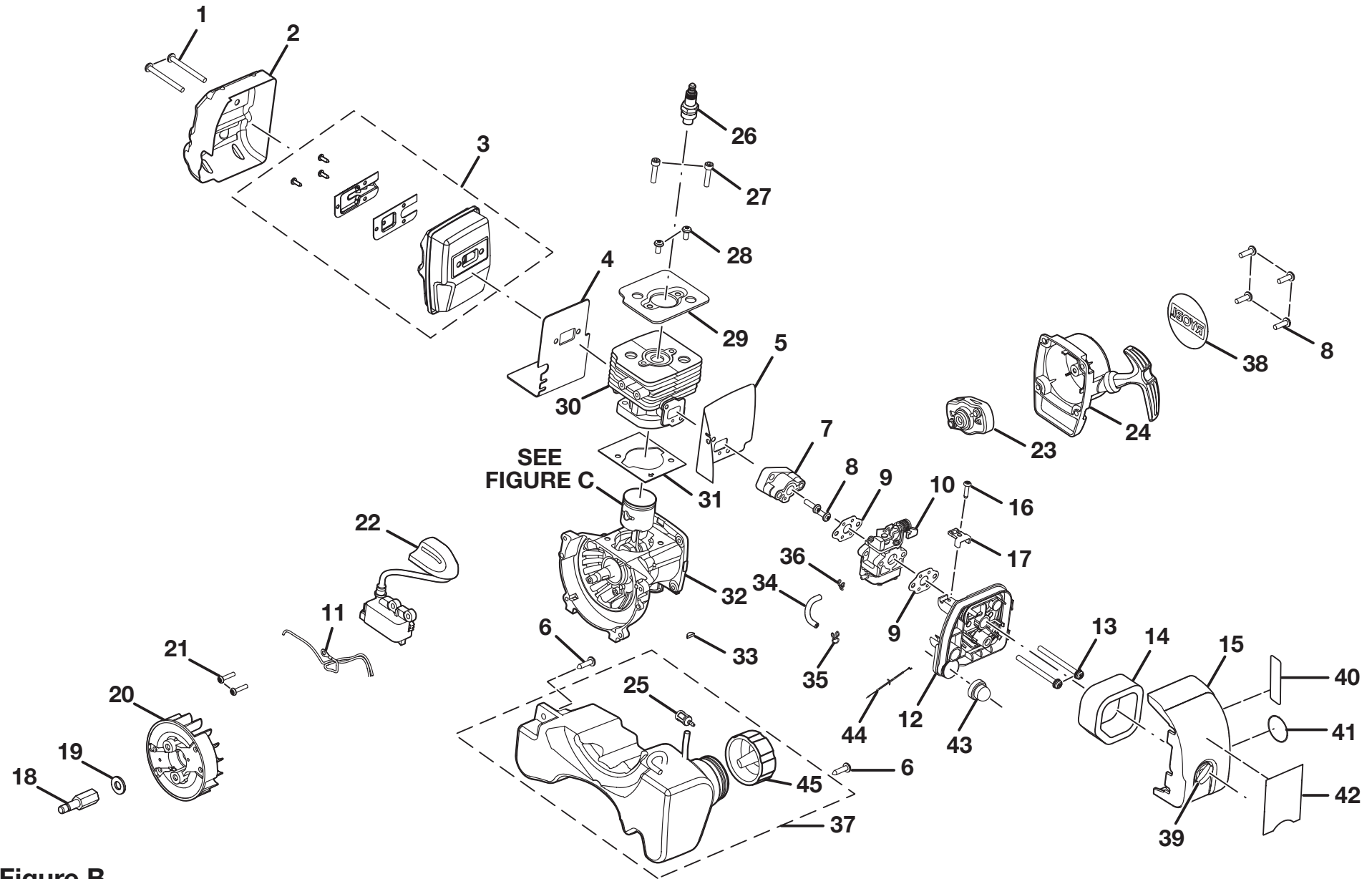


Figure B

RYOBI HAND HELD BLOWER – MODEL NUMBER RY08510

The model number will be found on a plate attached to the motor housing. Always mention the model number in all correspondence regarding your **BLOWER** or when ordering repair parts.

PARTS LIST (FIGURE B)

KEY NO.	PART NUMBER	DESCRIPTION	QTY	KEY NO.	PART NUMBER	DESCRIPTION	QTY
1	660347001	* SCREW (M5 X 50 mm)	2	25	300759003	FUEL FILTER	1
2	638027001	HEAT SHIELD	1	26	870170001	* SPARK PLUG (CHAMPION RCJ4)	1
3	308138010	MUFFLER ASSEMBLY	1	27	660342001	* SCREW (M5 X 22 mm)	2
4	638183001	GASKET MUFFLER	1	28	660351002	* SCREW & WASHER (M5 X 10 mm)	2
5	900711002	INSULATOR GASKET	1	29	630002021	PLATE FOR CYLINDER	1
6	660674001	* SCREW (#10-14 X 7/8 in.)	2	30	640570016	CYLINDER	1
7	590947002	INSULATOR	1	31	900709001	CYLINDER GASKET	1
8	660344002	* SCREW AND WASHER (M5 X 22 mm)	6	32	300749003	CRANKCASE ASSEMBLY	1
9	900711003	CARBURETOR GASKET	2	33	690688001	KEY WOODRUFF (S43C)	1
10	308028001	CARBURETOR	1	34	570574001	TUBING RUBBER	1
11	290702001	LEAD ASSEMBLY	1	35	690699001	CLIP-HOSE (ID 4.9)	2
12	518130002	AIR BOX BASE	1	36	690700001	CLIP-HOSE	1
13	660346001	* SCREW (M5 X 60 mm)	2	37	308342001	FUEL TANK AND CAP (INC. KEY NOS. 25 AND 45)	1
14	560873001	AIR FILTER ELEMENT	1	38	950119007	STARTING HOUSING LABEL	1
15	518253001	CARBURETOR HOUSING COVER	1	39	590461001	AIR FILTER KNOB	1
16	660734001	* SCREW (M4 X 1.75 X 16 PAN HD.)	1	40	940627007	STARTING LABEL	1
17	638133003	CLIP-THROTTLE CABLE	1	41	940627006	ZIP START LABEL	1
18	308068002	CRANKSHAFT EXTENSION	1	42	940627004	STARTING INSTRUCTION LABEL	1
19	678171002	WASHER	1	43	300780002	PRIMER ASSEMBLY	1
20	640574001	FLY-WHEEL ASSEMBLY	1	44	308209001	CABLE ASSEMBLY	1
21	660349001	* SCREW (M4 X 22 mm)	2	45	300758006	FUEL CAP ASSEMBLY	1
22	290178003	COIL & BOOT ASSEMBLY	1	46	000998216	SPARK ARRESTOR KIT (NOT SHOWN)	1
23	308004001	PULLEY ASSEMBLY	1				
24	300753007	STARTER ASSEMBLY	1				

* STANDARD HARDWARE ITEM – MAY BE PURCHASED LOCALLY

RYOBI HAND HELD BLOWER – MODEL NUMBER RY08510

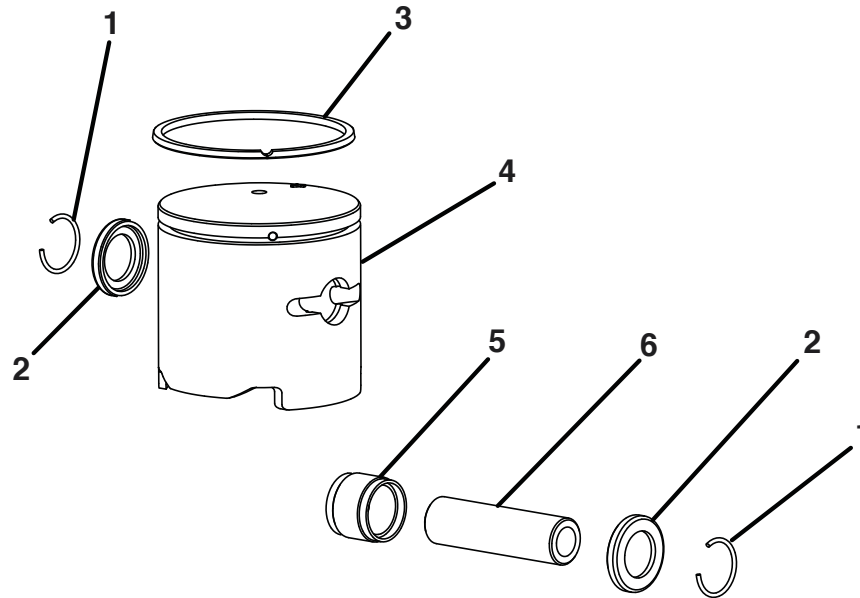


Figure C

PARTS LIST (FIGURE C)

KEY NO.	PART NUMBER	DESCRIPTION	QTY.
1	690691001	WRIST PIN CLIP RING	2
2	690687001	WASHER	2
3	690161002	PISTON RING	1
4	640920002	PISTON	1
5	690686002	NEEDLE BEARING (ID 8 X 8.8)	1
6	620227001	WRIST PIN.....	1