

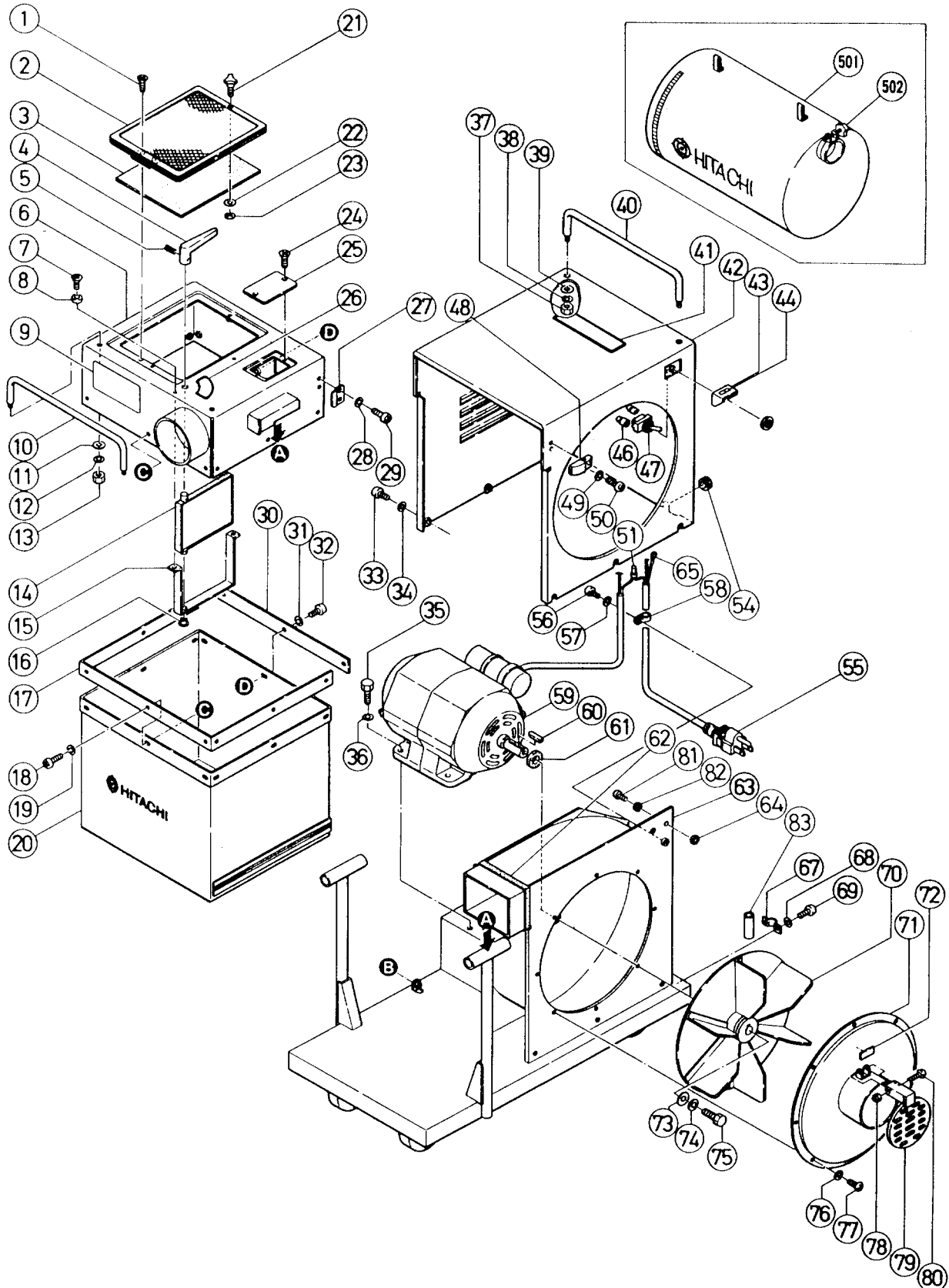
ELECTRIC TOOL PARTS LIST

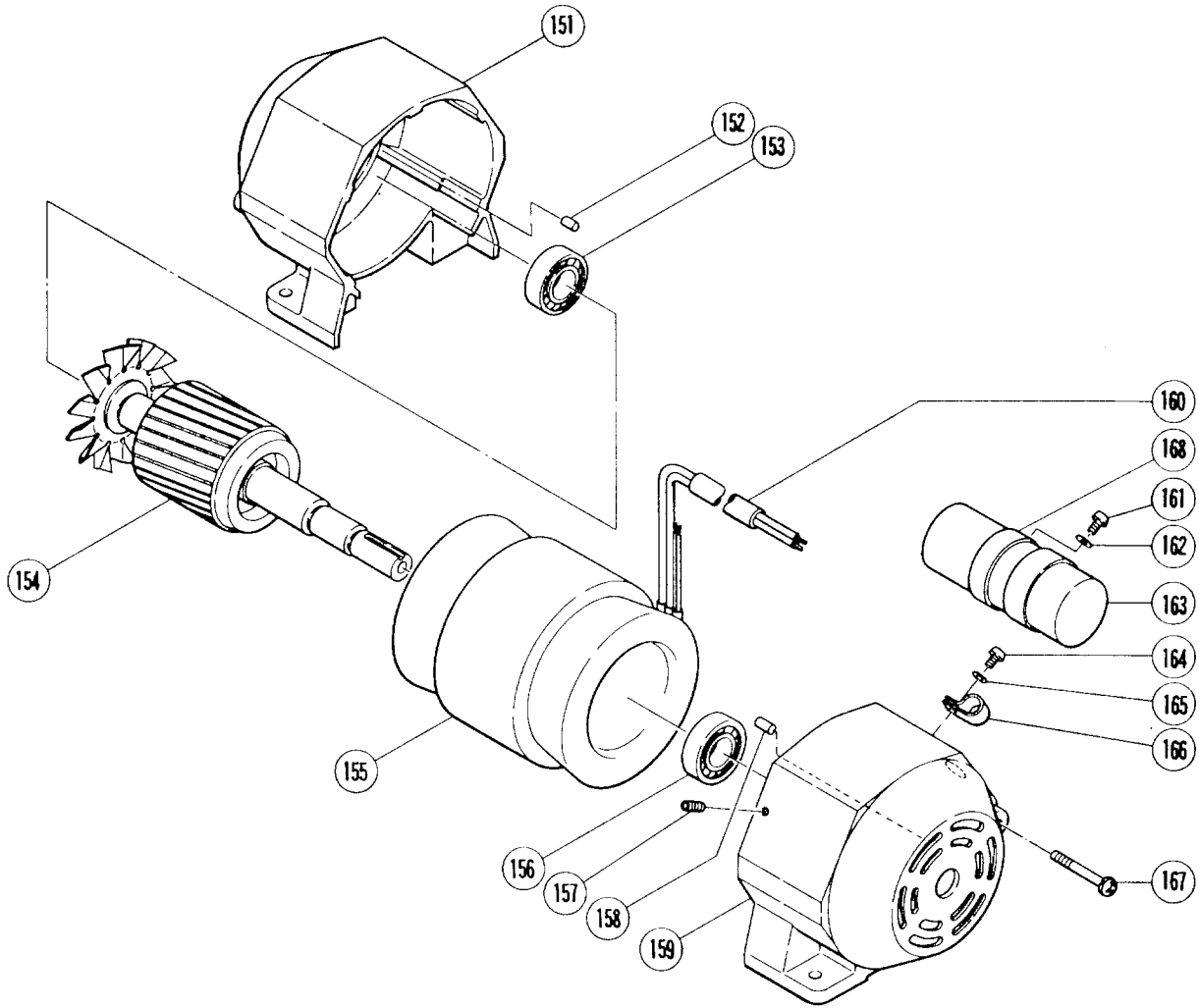
■ COLLECTOR

Model RW 200

1989-10-31

RW 200(E1)





PARTS

RW 200

ITEM NO.	CODE NO.	DESCRIPTION	NO. USED	REMARKS
1	949-322	FLAT HD. SCREW M4X10 (10 PCS.)	2	
2	976-503	FILTER COVER	1	
3	976-502	FILTER	1	
4	976-507	LEVER	1	
5	949-499	ROLL PIN D4X20 (10 PCS.)	1	
6	976-498	DUST COVER	1	
7	949-322	FLAT HD. SCREW M4X10 (10 PCS.)	2	
8	976-506	WASHER	2	
9		NAME PLATE	1	
10	976-496	HANDLE	1	
11	949-433	BOLT WASHER M8 (10 PCS.)	2	
12	949-457	SPRING WASHER M8 (10 PCS.)	2	
13	949-558	NUT M8 (10 PCS.)	2	
14	976-504	VALVE	1	
15	976-505	HINGE	1	
16	939-542	RETAINING RING FOR D12 SHAFT (10 PCS.)	1	
17	976-500	BAND (A)	1	
18	949-216	MACHINE SCREW M4X10 (10 PCS.)	9	
19	949-453	SPRING WASHER M4 (10 PCS.)	9	
20	976-499	DUST BAG	1	
21	976-533	KNOB (A)	1	
22	949-431	BOLT WASHER M5 (10 PCS.)	1	
23	968-643	RETAINING RING (E-TYPE) FOR D4 SHAFT	1	
24	949-322	FLAT HD. SCREW M4X10 (10 PCS.)	2	
25	976-508	COVER	1	
26	977-205	MARK PLATE	1	
27	974-186	HOOK	2	
28	949-451	SPRING WASHER M3 (10 PCS.)	4	
29	949-202	MACHINE SCREW M3X6 (10 PCS.)	4	
30	976-501	BAND (B)	1	
31	949-453	SPRING WASHER M4 (10 PCS.)	3	
32	949-216	MACHINE SCREW M4X10 (10 PCS.)	3	
33	949-216	MACHINE SCREW M4X10 (10 PCS.)	6	
34	949-453	SPRING WASHER M4 (10 PCS.)	6	
35	949-626	BOLT M8X25 (10 PCS.)	4	
36	949-457	SPRING WASHER M8 (10 PCS.)	4	
37	949-558	NUT M8 (10 PCS.)	2	
38	949-457	SPRING WASHER M8 (10 PCS.)	2	
39	949-433	BOLT WASHER M8 (10 PCS.)	2	
40	976-496	HANDLE	1	
41	988-113	HITACHI LABEL	1	
42	976-491	MOTOR COVER	1	
43	976-497	SWITCH COVER	1	
44	932-161	SWITCH NAME PLATE (E)	1	
46	974-788	CAP	2	
47	934-246	SWITCH 100V-115V (1P SOLDER TYPE)	1	
49	949-451	SPRING WASHER M3 (10 PCS.)	4	
50	949-202	MACHINE SCREW M3X6 (10 PCS.)	4	
51	959-140	CONNECTOR 50091 (10 PCS.)	1	
54	948-613	CORD ARMOR D10.0	1	
55	977-202	CORD	1	
56	949-216	MACHINE SCREW M4X10 (10 PCS.)	1	

STANDARD ACCESSORIES

RW 200

ITEM NO.	CODE NO.	DESCRIPTION	NO. USED	REMARKS
501	976-515	DUST BAG (B) ASS'Y	1	INCLUD.502
502	976-544	HOSE BAND (A)	1	

OPTIONAL ACCESSORIES

ITEM NO.	CODE NO.	DESCRIPTION	NO. USED	REMARKS
601	976-522	HOOD (FOR TYPE F-1000A)	1	
602	976-521	HOOD (NOZZLE)	1	
603	976-524	HOOD ASS'Y (FOR TYPE A-1500A)	1	INCLUD.604
604	949-394	WING BOLT M6X10 (10 PCS.)	2	
605	976-543	HOOD ASS'Y	1	INCLUD.606
606	976-545	WING BOLT M8X50	2	
607	976-546	TWO-VALVE HOOD ASS'Y	1	INCLUD.608
608	976-702	SHUTTER	1	
609	976-528	HOSE BAND	1	
610	959-675	DUCT HOSE (100MMX5M)	1	
611	959-676	DUCT HOSE (100MMX10M)	1	
612		DUST BAG 400L ASS'Y INCLUD.613-634	1	
613	976-560	DUST BAG (C) ASS'Y	1	INCLUD.614
614	976-516	HOSE BAND	1	
615	976-556	HANDLE	1	
616	949-622	BOLT M8X16 (10 PCS.)	3	
617	949-457	SPRING WASHER M8 (10 PCS.)	3	
618	976-561	BAND	1	
619	949-558	NUT M8 (10 PCS.)	20	
620	976-557	ARM HOLDER (A)	1	
621	949-457	SPRING WASHER M8 (10 PCS.)	20	
622	949-630	BOLT M8X40 (10 PCS.)	20	
623	976-550	ARM	2	
624	976-551	ARM HOLDER (B)	1	
625	976-558	ARM HOLDER (C)	1	
626	976-554	HINGE	2	
627	976-563	ARM HOLDER (D)	1	
628	976-559	STAY	2	
629	976-551	ARM HOLDER (B)	1	
630	976-550	ARM	2	
631	976-552	WHEEL	4	
632	949-433	BOLT WASHER M8 (10 PCS.)	4	
633	976-553	SHAFT	2	
634	301-273	R-PIN D8	4	