

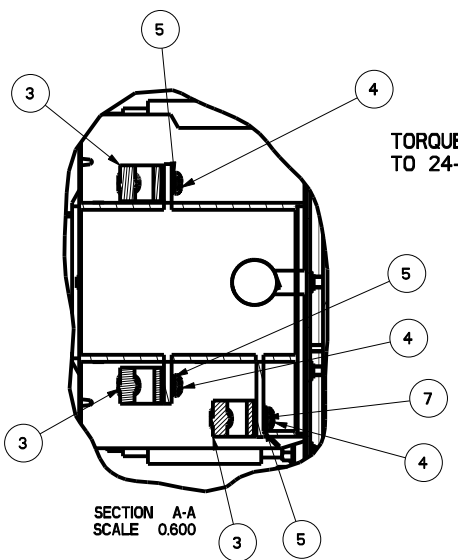
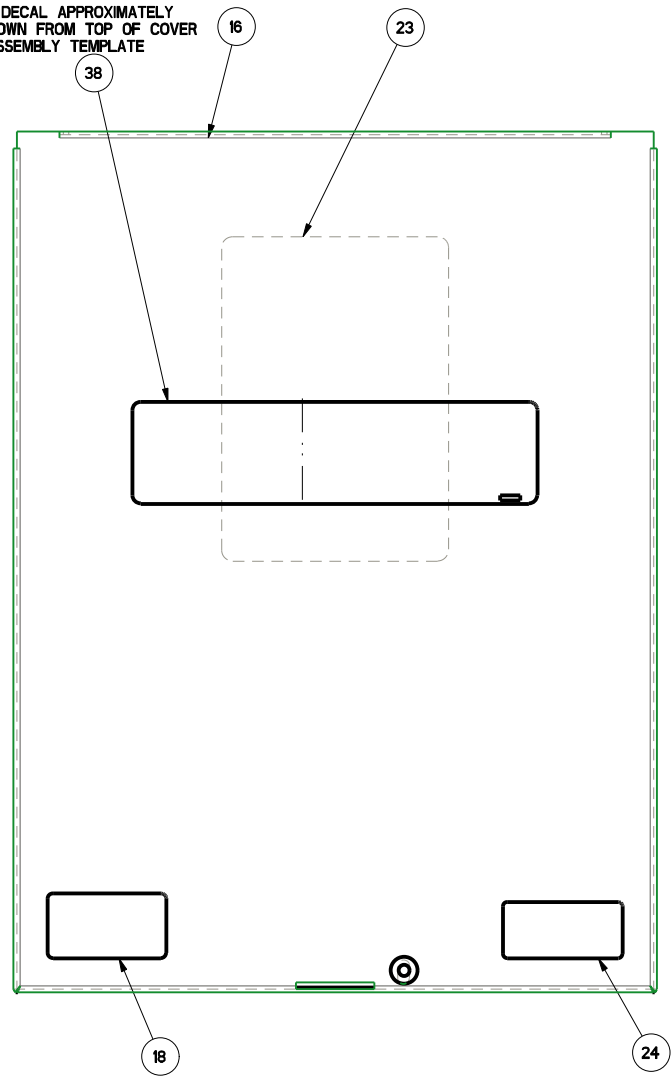
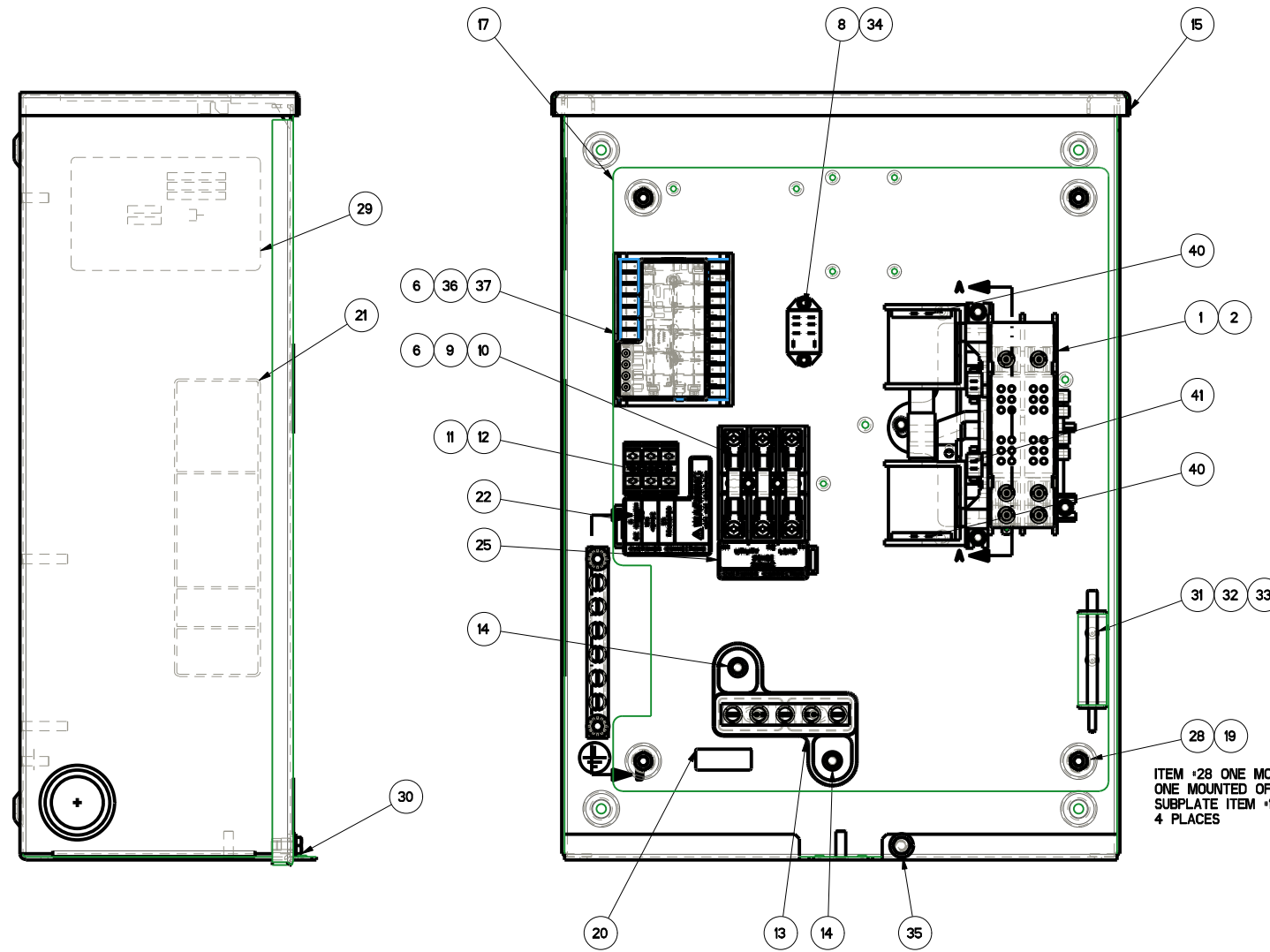
SH	1/1	REV	C	WINDCHILL VERSION	C.2		
ITEM #	PART #	QTY	DESCRIPTION				
1	0C2237	1	XFRSW HSB 100A 2P 250V				
2	074908	4	SCREW HHTT M5-0.8 X 10 BP				
3	077033	6	LUG SLDLSS 1/0-#14X9/16 AL/CU				
4	0G7624	6	SCREW PPHM #10-32 X 5/16				
5	022152	6	WASHER LOCK #10				
6	0A1495	4	SCREW HHTT M4-0.7 X 10 BP				
7	074138	1	LUG DIS QK N1-S 10X45 DEG BR/T				
**	8	0K0103	1	RELAY PNL 12VDC DPDT 10A@240VA			
**	9	0D2572	1	FUSEBLOCK 30A 600V 3POS W/SO			
**	10	073590A	3	FUSE 5A X BUSS			
**	11	0D7393T	1	TERM BLOCK 3P UL 12-20AWG			
**	12	0K0124	2	SCREW PHTT M3-0.5 X 25			
**	13	0K0108	1	ASSY-NEUT BLK 100A			
**	14	090388	2	SCREW HHTT M6-1.0 X 12 ZINC			
**	15	0K01120ALOR	1	ENCLOSURE 100/200A XFER SW_RAW			
**	16	0K01130ALOR	1	COVER 100A XFER SWITCH_INST_RAW			
**	17	0K0114	1	SUBPLATE, 100/200A XFER SW			
**	18	0H7274	1	DECAL NEC COMPLIANCE			
**	19	0G8411	6	NUT HEX FL WHIZ 1/4-20			
**	20	0A9457	1	DECAL, NEUTRAL			
**	21	0A9517	1	DECAL MANUAL 5A FUSE			
**	22	0H7917	1	DECAL CUSTOMER CONN RTS			
**	23	0K1800	1	DECAL TEST SEQUENCE 100/200A NON			
**	24	0G3274	1	DECAL LIVE CIRCUIT ENG/FRN/SPN			
**	25	0H6389	1	DECAL UTILITY LOAD SENSE 240V			
**	26	0J8202	1	LUG SLDLSS 2/0-#14X#10-32X.125			
**	27	026850	2	WASHER LOCK EXT 1/4 STL			
**	28	022473	4	WASHER FLAT 1/4-M6 ZINC			
*	29	0K1799A	1	DECAL DATA NON SE SW 100A			
*	30	085296	1	SCREW HHC 1/4-20 X 1/2 SS			
**	31	0D6162	2	RIVET POP .156 X .362 AL			
**	32	0E6155	1	PIN ARM EXTENDER			
**	33	0E6193	1	BRACKET, ARM EXTENDER			
**	34	0F2659	2	SCREW HHTT M3-0.5 X 6 BP			
**	35	0A2115	1	WASHER NYLON .257			
**	36	0H7270	1	CHANNEL SNAPTRACK 76.2 X 101.2			
**	37	0K0220A	1	ASSY LOAD MANAGEMENT CONTROLLER PROGRAMMED			
*	38	0K1098	1	DECAL RTS TRANSFER SW GENERAC			
**	39	0K0122	1	WIRING HARNESS HSB (NOT SHOWN)			
**	40	0E6303	2	WIRE-A			
**	41	0E6303C	1	WIRE-EI			
**	42	058000E	1	NUT TRIC 1/4-20 X .525			

\*\*SERIAL NUMBER AND FRONT DECAL PER MODEL  
 \*\*SUPPLIED WITH HARNESS ITEM #39  
 \*\*\*SUPPLIED WITH TRANSFER SWITCH

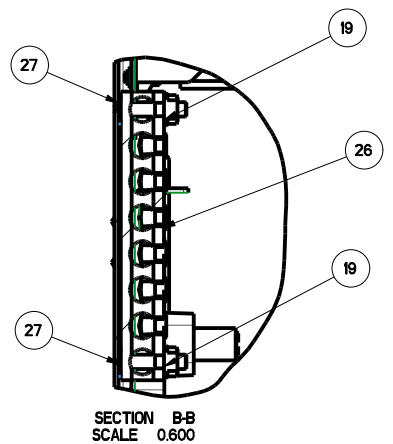
PART NUMBER	DESCRIPTION	ITEM # 29	ITEM # 38
OK0159	ASSEMBLY 200A 120/240 NON SE	OK1799A	PER MODEL
OK0159A	EXPLODED VIEW DRAWING	N/A	N/A
OK0159B	ASSEMBLY 200A 120/240 NON SE	OK1799A	OK1098
OK0159C	ASSEMBLY 200A 120/240 NON SE	OJ3806A	OK1274

CENTER DECAL APPROXIMATELY  
6-1/4" DOWN FROM TOP OF COVER  
USING ASSEMBLY TEMPLATE

ITEM #28 ONE MOUNTED UNDER  
ONE MOUNTED OF TOP OF  
SUBPLATE ITEM #16  
4 PLACES



TORQUE ITEM #4  
TO 24-30 IN-LBS



**REFERENCE DRAWINGS**  
 OK0134 SCHEMATIC/WIRING DIAGRAMS  
 OF6778 CARTON 30"5 X 14"2 X 7"8  
 0H7275 TEST PROC HSB XFRSW  
 OK015 KIT ENCL 100/200A NON SE AL

GENERAL TOLERANCES UNLESS NOTED

ALL XX : ± 0.4 MM  
 XXX : ± 0.4 MM  
 XXXX : ± 0.15 MM  
 ALL ANG : ± 1°

THIRD ANGLE PROJECTION

INTERPRET DIM AND TOL PER ASME Y14.5M-1994

ELECTRONICALLY APPROVED  
INSIDE WINDCHILL

**GENERAL**

TITLE  
ASSEMBLY DWG 2-POLE  
100A 120/240V

ISSUE DATE:

SIZE D CAGE NO N/A DWG NO **OK0159** REV C

SCALE 0.450 WT-KG 37490593.93 SHEET 1 of 1

GENERAL ASSEMBLY DRAWING

DRAWING CREATED FROM PROVENIENCER  
3D FILE. (ECO MODIFICATION TO BE  
APPLIED TO SOLID MODEL ONLY.)

SH	I/I	REV	D	WINDCHILL VERSION	D.2	
	ITEM #		PART #		QTY	DESCRIPTION
	1		0D9618		1	XFRSW HSB 200A 2P 250V
	2		074908		5	SCREW HHTT M5-0.8 X 10 BP
	3		0E3375		6	LUG SLDLSS 250-#6 AL/CU
	4		0F1252		6	SCREW BHSC 1/4-20 X 3/8
	5		022097		6	WASHER LOCK M6-1/4
	6		0A1495		4	SCREW HHTT M4-0.7 X 10 BP
**	7		0K0103		1	RELAY PNL 12VDC DPDT 10A@240VA
**	8		0D2572		1	FUSEBLOCK 30A 600V 3POS W/SQ
	9		073590A		3	FUSE 5A X BUSS
**	10		0D7393T		1	TERM BLOCK 3P UL 12-20AWG
	11		0K0124		2	SCREW PHTT M3-0.5 X 25
	12		0K0108A		1	ASSY-NEUT BLK 200A W/TAP
	13		090388		2	SCREW HHTT M6-1.0 X 12 ZINC
	14		0K01120ALOR		1	ENCLOSURE 100/200A XFER SW_RAW
	15		0K01130ALOR		1	COVER 100A XFER SWITCH_INST_RAW
	16		0K0114		1	SUBPLATE, 100/200A XFER SW
	17		0H7274		1	DECAL NEC COMPLIANCE
*	18		0K1799B		1	DECAL DATA NON SE SW 200A
	19		0A9517		1	DECAL MANUAL 5A FUSE
	20		0A9457		1	DECAL, NEUTRAL
	21		0H7917		1	DECAL CUSTOMER CONN RTS
	22		0K1800		1	DECAL TEST SEQUENCE 100/200A NON
	23		0G3274		1	DECAL LIVE CIRCUIT ENG/FRN/SPN
	24		0H6389		1	DECAL UTILITY LOAD SENSE 240V
	25		0J8202		1	LUG SLDLSS 2/0-#14X#10-32X.125
	26		026850		2	WASHER LOCK EXT 1/4 STL
	27		022473		4	WASHER FLAT 1/4-M6 ZINC
	28		0E6034		1	STRAIGHT SPADE CONNECTOR
	29		085296		1	SCREW HHC 1/4-20 X 1/2 SS
	30		0D6162		2	RIVET POP .156 X .362 AL
	31		0E6155		1	PIN ARM EXTENDER
	32		0E6193		1	BRACKET, ARM EXTENDER
	33		0F2659		2	SCREW HHTT M3-0.5 X 6 BP
	34		0A2115		1	WASHER NYLON .257
	35		0G8411		6	NUT HEX FL WHIZ 1/4-20
	36		0H7270		1	CHANNEL SNAPTRACK 76.2 X 101.2
	37		0K0220A		1	ASSY LOAD MANAGEMENT CONTROLLER PROGRAMMED
*	38		0K1098		1	DECAL RTS TRANSFER SW GENERAC
	39		0E6033		4	90 DEGREE DN SPADE CONNECTOR
	40		0K0122		1	WIRING HARNESS HSB (NOT SHOWN)
	41		0E6303		2	WIRE-A
	42		0E6303B		1	WIRE-E1 3" BLUE
	43		058000E		1	NUT TRIC 1/4-20 X .525

--SERIAL NUMBER AND FRONT DECAL PER MODEL  
 --SUPPLIED WITH HARNESS ITEM #40

PART NUMBER	DESCRIPTION	ITEM # 18	ITEM # 39
OK0160	ASSEMBLY 200A 120/240 NON SE	OK1799B	PER MODEL
OK0160A	EXPLODED VIEW DRAWING	N/A	N/A
OK0160B	ASSEMBLY 200A 120/240 NON SE	OK1799B	OK1098
OK0160C	ASSEMBLY 200A 120/240 NON SE	OJ3806B	OK1274
OK0160D	ASSEMBLY 200A 120/240 NON SE	OJ3806B	OK1274

**REFERENCE DRAWINGS**  
 OK0134 SCHEMATIC/WIRING DIAGRAMS  
 OF6778 CARTON 30"5 X 14"2 X 7"8  
 0H7275 TEST PROC HSB XFRSW  
 OK0115 KIT ENCL 100/200A NON SE AL

GENERAL TOLERANCES UNLESS NOTED

ALL XX : ± 0.4 MM	THIRD ANGLE PROJECTION
XXX : ± 0.4 MM	
XXXX : ± 0.25 MM	
ALL ANG : ±	

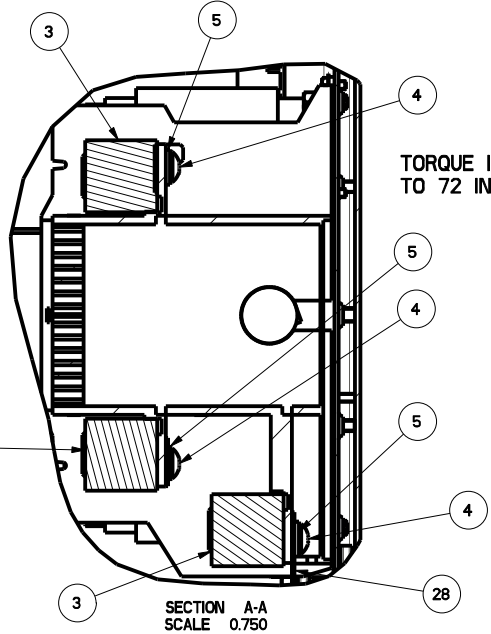
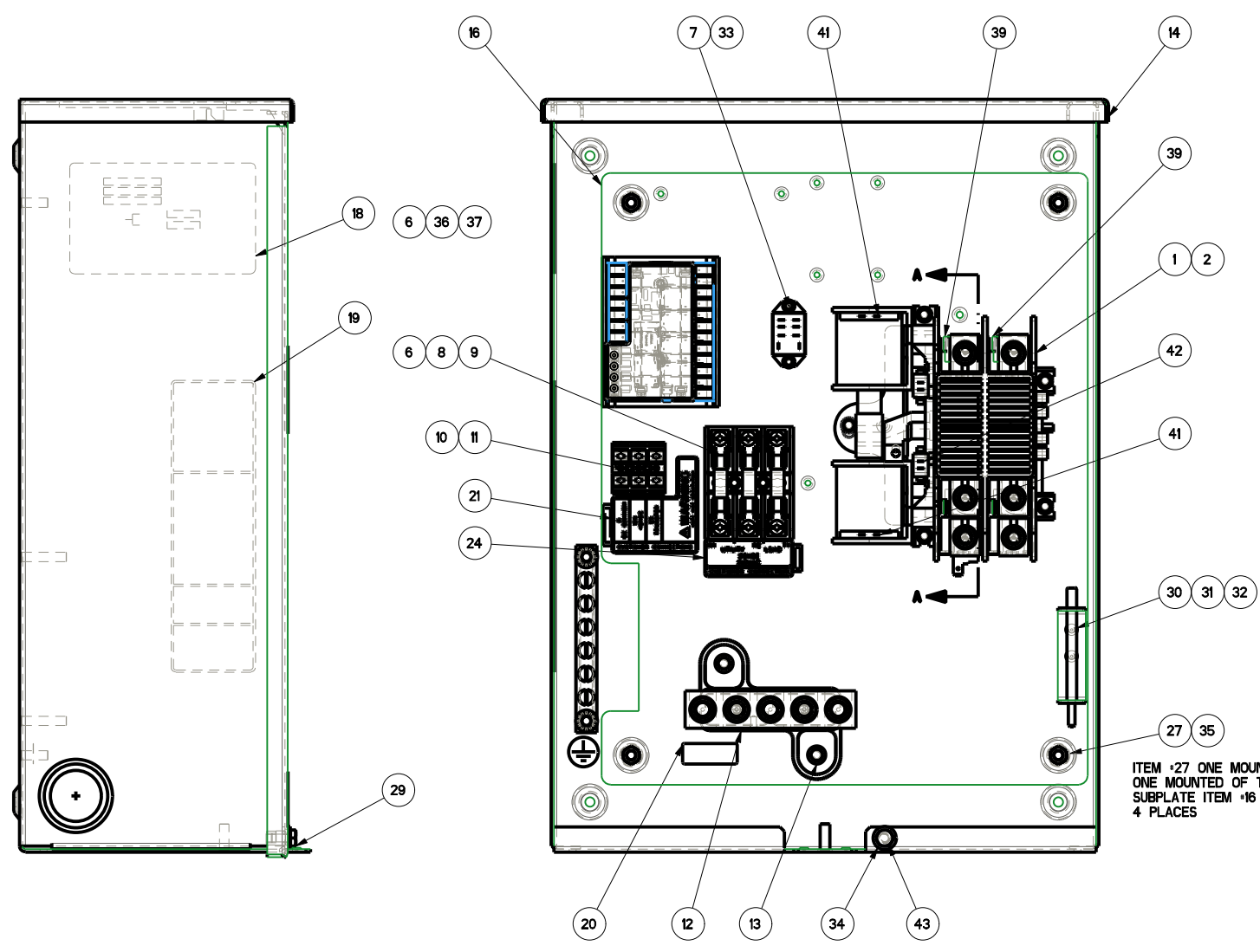
INTERPRET DIM AND TOL PER ASME Y14.5M-1994

**GENERAL**

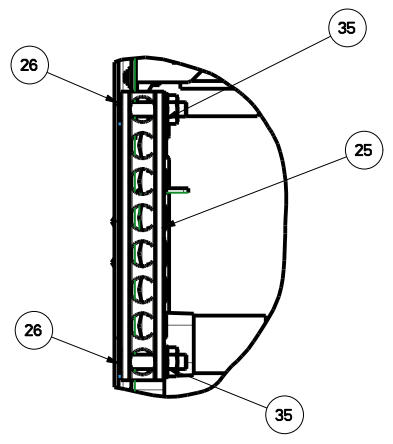
TITLE  
 ASSEMBLY DWG 2-POLE  
 200A 120/240V

ISSUE DATE:	SIZE	CAGE NO	DWG NO	REV
	D	N/A	OK0160S	D
SCALE 0.450				WT-KG 37490594.36 SHEET 1 of 1

# GENERAL ASSEMBLY DRAWING



TORQUE ITEM #4  
 TO 72 IN-LBS



DRAWING CREATED FROM PROENGINEER 3D FILE. ECO MODIFICATION TO BE APPLIED TO SOLID MODEL ONLY.