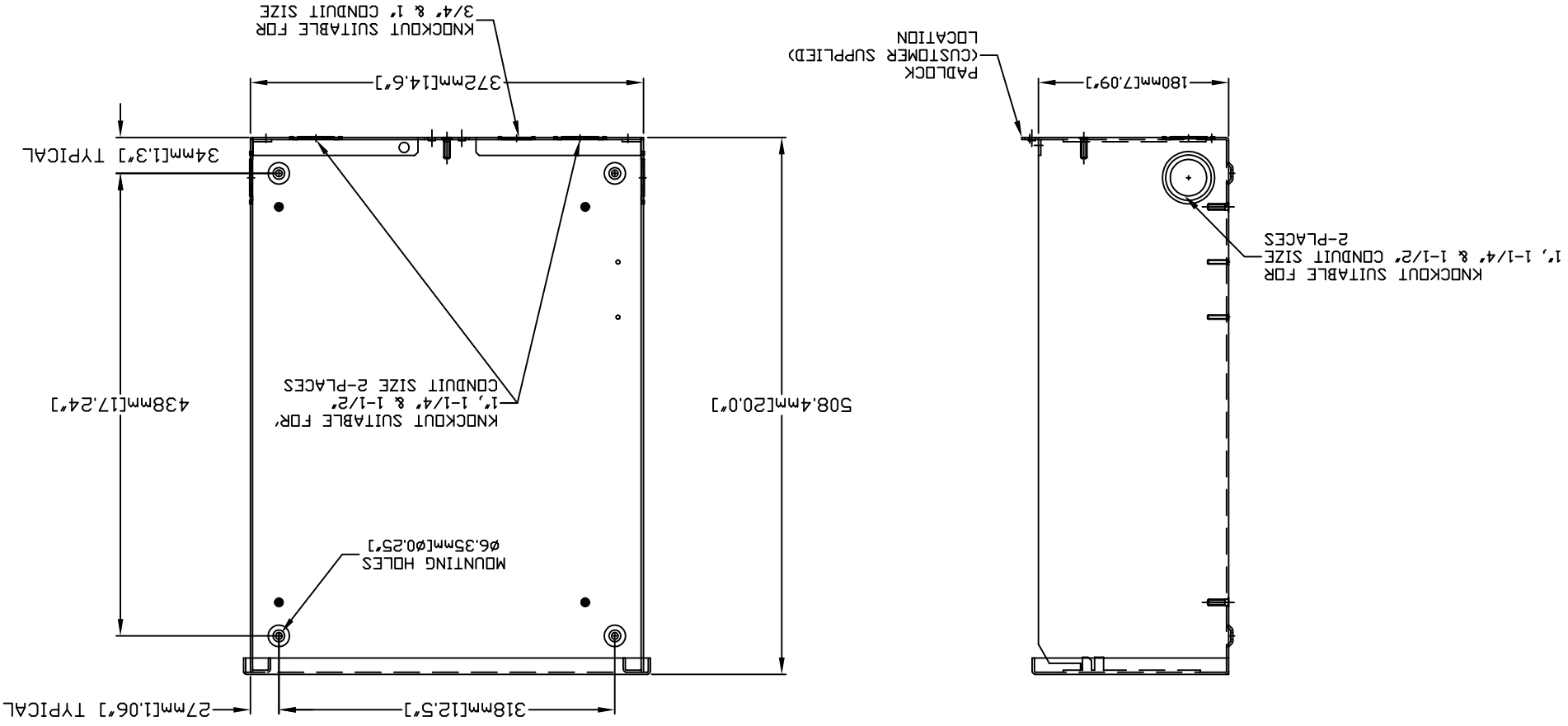


GROUP C



EXPLODED VIEW:
HS TRANSFER SWITCH
DRAWING #: 0G6832

ITEM #	PART #	QTY	DESCRIPTION	
1	0C2237	1	XFRSW HSB 100A 2P 250V	
2	074908	4	SCREW HHTT M5-0.8 X 10 BP	
3	077033	6	LUG SLDLSS 1/0-#14X9/16 AL/CU	
4	0G7624	6	SCREW PPHM #10-32 X 5/16	
5	022152	6	WASHER LOCK #10	
6	0A1495	2	SCREW HHTT M4-0.7 X 10 BP	
7	074138	1	LUG DIS QK N1-S 10X45 DEG BR/T	
**	8	0K0103	1	RELAY PNL 12VDC DPDT 10A@240VA
**	9	0D2572	1	FUSEBLOCK 30A 600V 3POS W/SO
10	073590A	3	FUSE 5A X BUSS	
**	11	0D7393T	1	TERM BLOCK 3P UL 12-20AWG
12	0K0124	2	SCREW PHTT M3-0.5 X 25	
13	0K0108	1	ASSY-NEUT BLK 100A	
14	090388	2	SCREW HHTT M6-1.0 X 12 ZINC	
15	0K01120ALOR	1	ENCLOSURE 100/200A XFER SW_RAW	
16	0K01130ALOR	1	COVER 100A XFER SWITCH_INST_RAW	
17	0K0114	1	SUBPLATE, 100/200A XFER SW	
18	0J4908	1	DECAL CUSTOMER CONN RTS	
19	0G8411	6	NUT HEX FL WHIZ 1/4-20	
20	0A9457	1	DECAL, NEUTRAL	
21	0A9517	1	DECAL MANUAL 5A FUSE	
*	22	0K1098	1	DECAL RTS TRANSFER SW GENERAC
23	0K1800	1	DECAL TEST SEQUENCE 100/200A NON	
24	0G3274	1	DECAL LIVE CIRCUIT ENG/FRN/SPN	
25	0H6389	1	DECAL UTILITY LOAD SENSE 240V	
26	0J8202	1	LUG SLDLSS 2/0-#14X#10-32X.125	
27	026850	2	WASHER LOCK EXT 1/4 STL	
28	022473	4	WASHER FLAT 1/4-M6 ZINC	
*	29	0K1799A	1	DECAL DATA NON SE SW 100A
30	085296	1	SCREW HHC 1/4-20 X 1/2 SS	
31	0D6162	2	RIVET POP .156 X .362 AL	
***	32	0E6155	1	PIN ARM EXTENDER
33	0E6193	1	BRACKET, ARM EXTENDER	
34	0F2659	2	SCREW HHTT M3-0.5 X 6 BP	
35	0A2115	1	WASHER NYLON .257	
36	0K9467	1	LIMIT SWITCH SPST 16A	
37	0K9468	2	SCREW PPH M3X15 SEMS	
38	0K9496	1	WIRING HARNESS HSB (NOT SHOWN)	
39	058000E	1	NUT TRIC 1/4-20 X .525	

**SERIAL NUMBER AND FRONT DECAL PER MODEL
 **SUPPLIED WITH HARNESS ITEM #38
 ***SUPPLIED WITH TRANSFER SWITCH

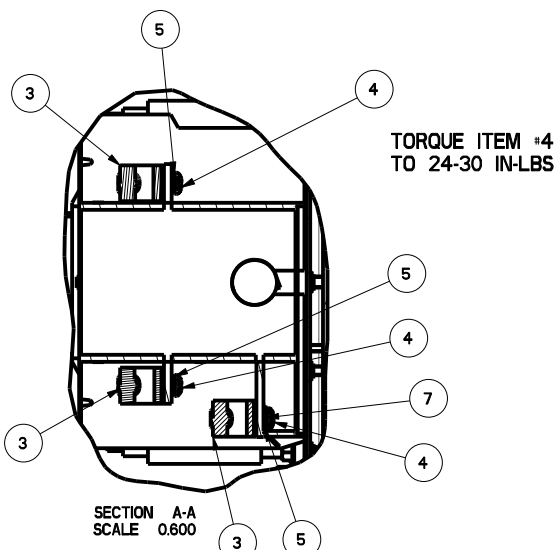
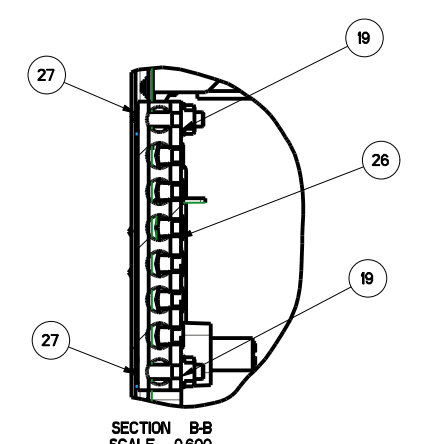
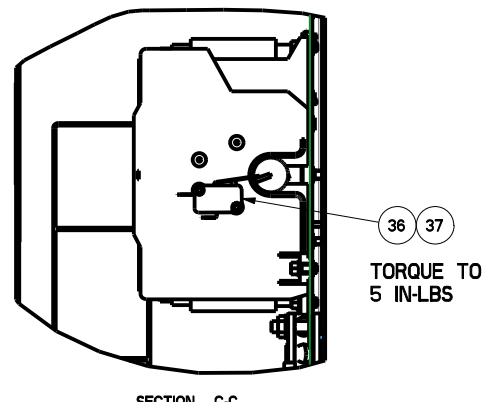
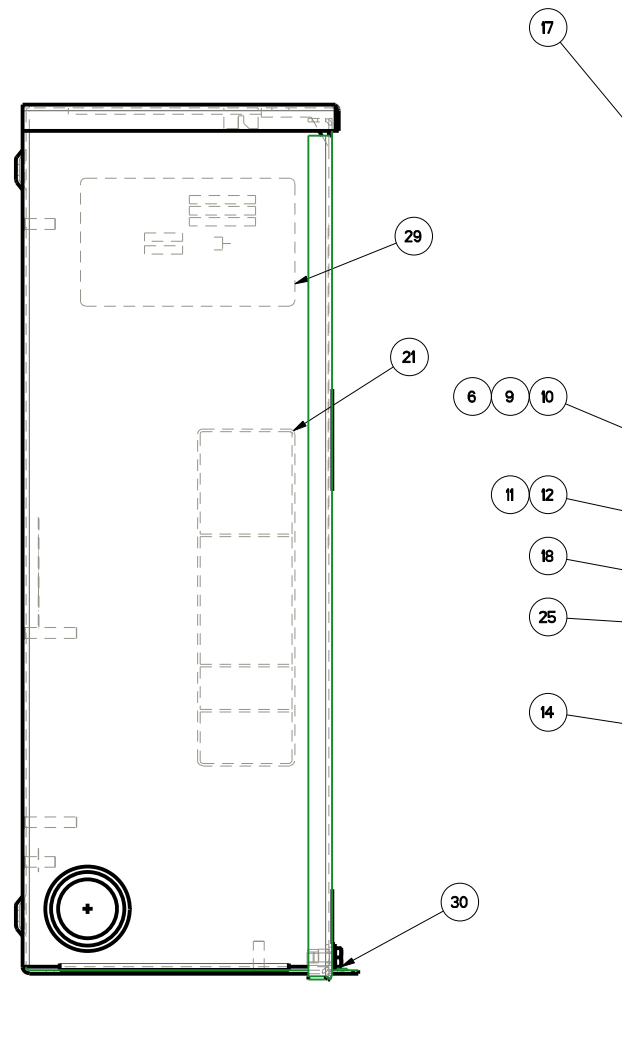
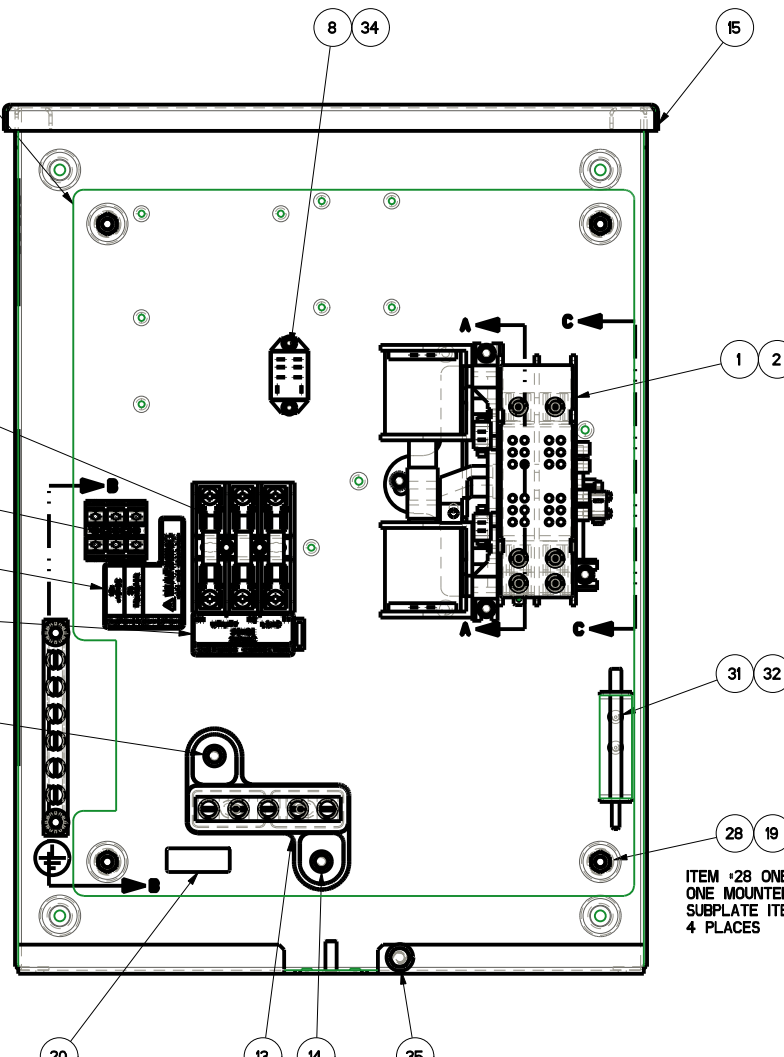
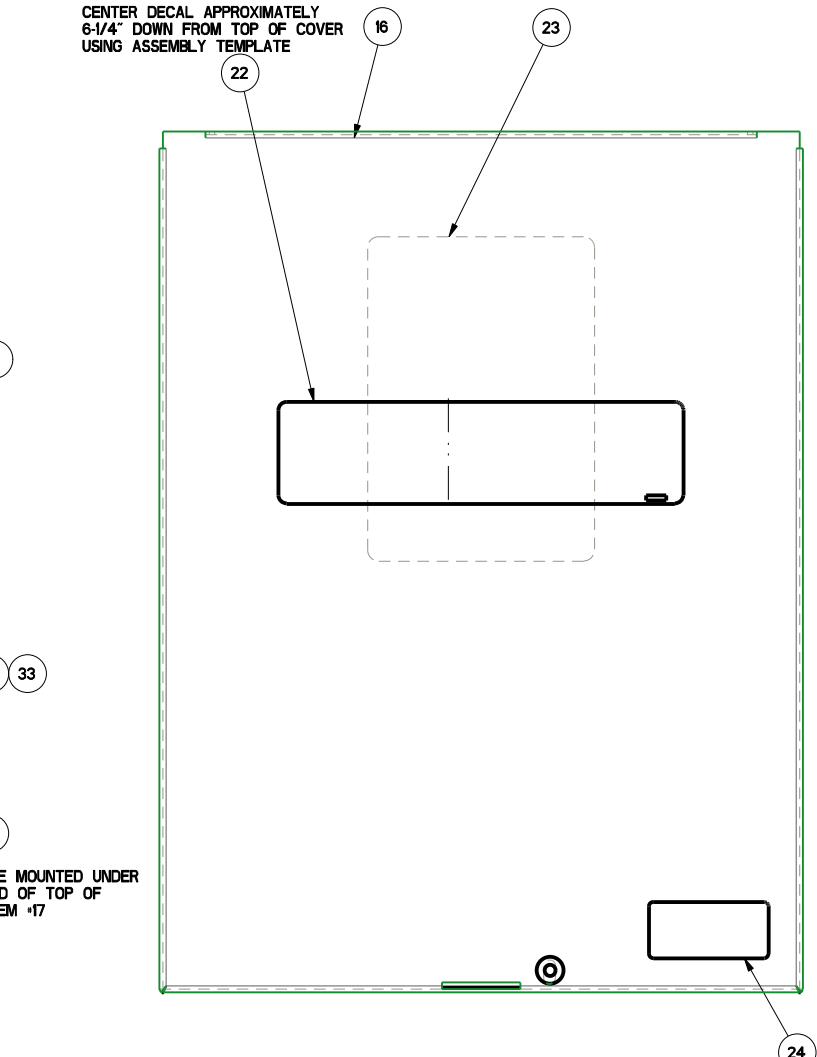
PART NUMBER	DESCRIPTION	ITEM # 29	ITEM # 22
OK9474	ASSEMBLY 200A 120/240 NON SE	OK1799A	PER MODEL
OK9474A	EXPLODED VIEW DRAWING	N/A	N/A
OK9474B	ASSEMBLY 200A 120/240 NON SE	OK1799A	OK1098
OK9474C	ASSEMBLY 200A 120/240 NON SE	OJ3806A	OK1274

GENERAL TOLERANCES UNLESS NOTED
 ALL XX ± 0.4 MM
 XXX ± 0.8 MM
 XXXX ± 0.8 MM
 ALL ANGLES ± 1°
 INTERPRET DIM AND TOL PER ASME Y14.5M-1994

THIRD ANGLE PROJECTION

GENERAL POWER SYSTEMS
 ONLY THE COPYRIGHTED OR REGISTERED TRADEMARKS OF GENERAL POWER SYSTEMS ARE TO BE USED IN THIS DRAWING WITHOUT THE EXPRESS WRITTEN CONSENT OF GENERAL POWER SYSTEMS. © GENERAL POWER SYSTEMS 2010
 ELECTRONICALLY APPROVED INSIDE WINDCHILL

GENERAL
 TITLE: ASSEMBLY DWG 2-POLE 100A 120/240V
 ISSUE DATE: _____
 SIZE: D CAGE NO: N/A DWG NO: **OK9474S** REV: B
 SCALE: 0.450 WT-KG: 19.887 SHEET 1 of 1



REFERENCE DRAWINGS
 OK9491 SCHEMATIC/WIRING DIAGRAMS
 OF6778 CARTON 30"5 X 14"2 X 7"8
 OH7275 TEST PROC HSB XFRSW
 OK0115 KIT ENCL 100/200A NON SE AL

GENERAL ASSEMBLY DRAWING

DRAWING CREATED FROM PROVISIONAL 3D FILE. ECO MODIFICATION TO BE APPLIED TO SOLID MODEL ONLY.