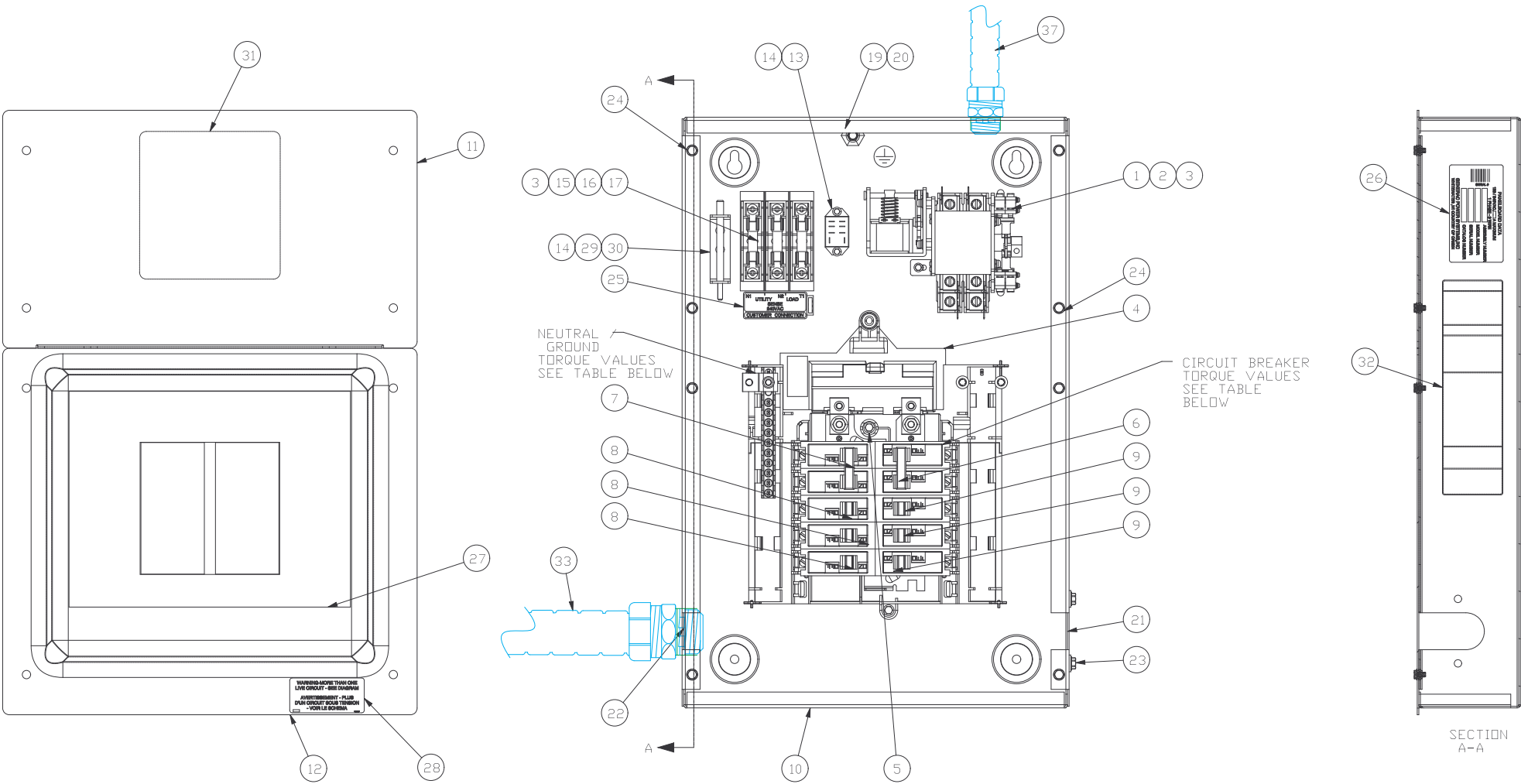


GROUP G



EXPLODED VIEW: EV RTG LCTR ASSY 10 CIR-GENERAC

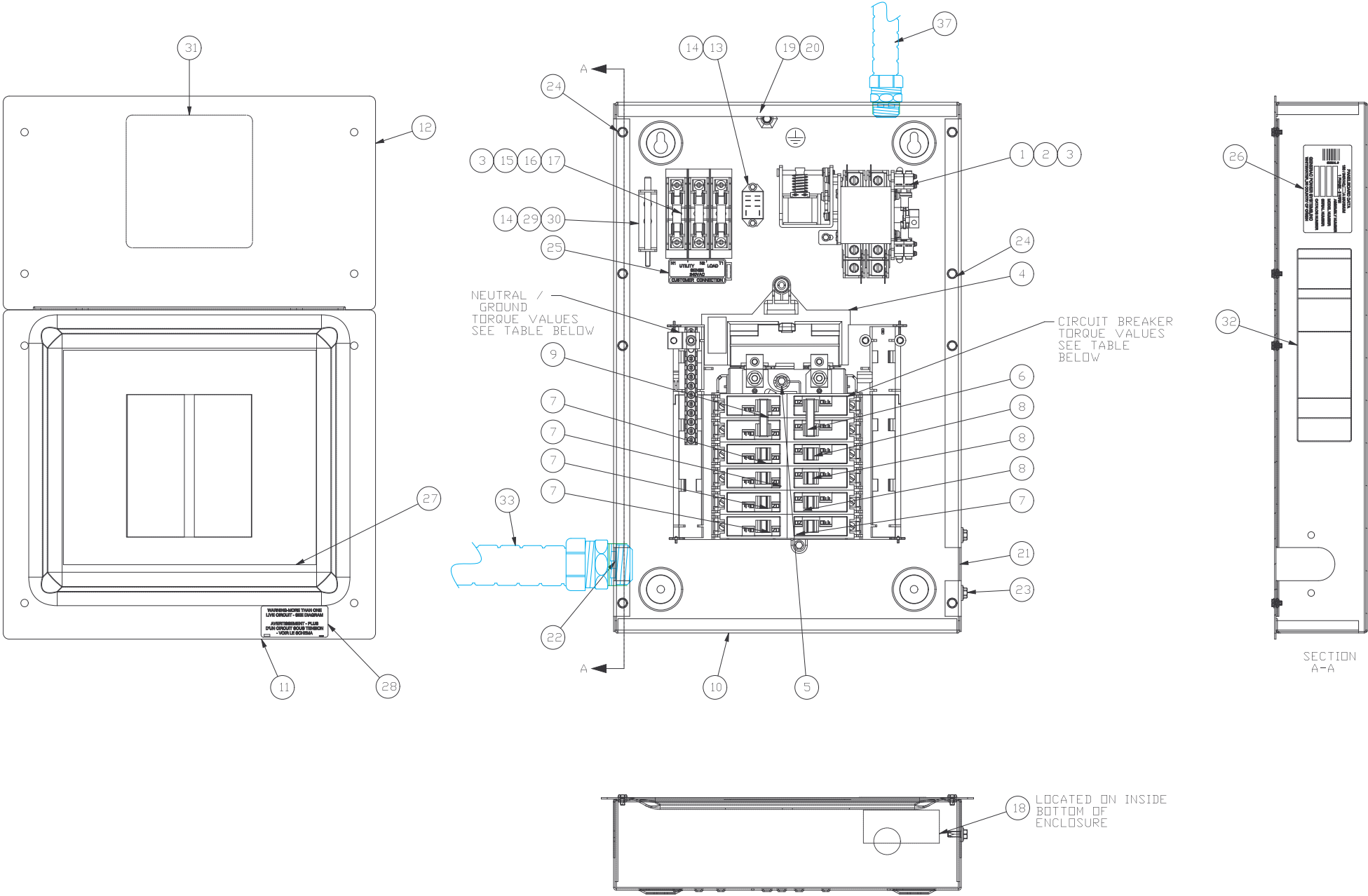
DRAWING #: 0H6426B

GROUP G

ITEM	PART#	QTY.	DESCRIPTION
1	0J6600	1	XFRSW 50A 2P 240V
2	0K0800	6	LUG SLDLSS 1/0-#14X9/16 AL/CU
3	045764	4	SCREW HHTT M4-0.7 X 8 ZP
4	0E7889	1	12CIR L/CENTR 125A/240V SIEMS
5	0C2267	2	SCREW HHTT M5-0.8 X 12 BP
6	0E7888	1	CB 0020A 2P PLUG IN SIEMENS
7	0E7888A	1	CB 0030A 2P PLUG IN SIEMENS
8	0E7888B	3	CB 0015A 1P PLUG IN SIEMENS
9	0E7888C	3	CB 0020A 1P PLUG IN SIEMENS
10	0K29660ST0R	1	ENCLOSURE 10-12 POS. RTSG LC RAW
11	0K30000ST0R	1	COVER TOP 10-12 POS. RTSG LC RAW
12	0K30050ST0R	1	COVER 10 POS. RTSG LC RAW
(2)13	0K0103	1	RELAY PNL 12VDC DPDT 10A@240VA
14	0F2659	4	SCREW HHTT M3-0.5 X 6 BP
15	0J4492	1	INSULATOR, FUSE BLOCK
(2)16	073591	3	FUSEBLOCK 30A 600V 1POS
17	073590A	3	FUSE 5A X BUSS
18	0G8238	1	DECAL,UL PANELBOARD
19	0A1658	1	WASHER LOCK SPECIAL 1/4"
20	024912	1	SCREW HHTT 1/4-20 X 5/8 CZ
21	0G80860ST0R	1	HARNESS ENTRY COVER
22	0G8095AST0R	1	HARNESS ADAPTER PLATE 1-1/4" CONDUIT
23	0A7215	2	SCREW HWHS 1/4-20 X 5/8 NY/W
24	0A2111	8	SCREW HWHS #10-32 X 5/16 ZYC
25	0H6389	1	DECAL UTILITY LOAD SENSE 240V
26	0H6435A	1	DECAL DATA RTG SW.P/N 0H6426A
27	N/A	1	DECAL LC 10 CIRC.
28	095282	1	DECAL-LIVE CIRCUIT
(3)29	0E6155	1	PIN ARM EXTENDER
30	0E6193	1	BRACKET, ARM EXTENDER
31	0K3004	1	DECAL, TEST SEQUENCE
32	0K3006	1	DECAL MANUAL OPERATION - 5AMP FUSE
33	0H6421	1	HARN RTG-MAIN-PNL 10CIR W/NEUT
(1)34	0H6436A	1	HARNESS LC RTG INT.CONN10-16
(1)35	0H6436B	1	HARNESS LC RTG INT.CONN T1
(1)36	0H6436C	1	HARNESS LC RTG INT.CONN T2
37	0K3910	1	HARN GTS-EXT CONBOX 8-11KW
38	031980	5	TIE WRAP UL 14.6 X .14 NATL

- (1) NOT SHOWN ON THIS ASSEMBLY
- (2) SUPPLIED WITH HARNESS ITEM #36
- (3) SUPPLIED WITH ITEM #1

GROUP B



EXPLODED VIEW: EV RTG LCTR ASSY 12 CIR-GENERAC

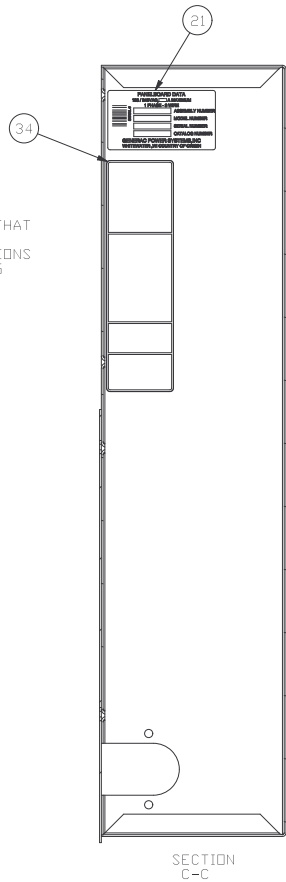
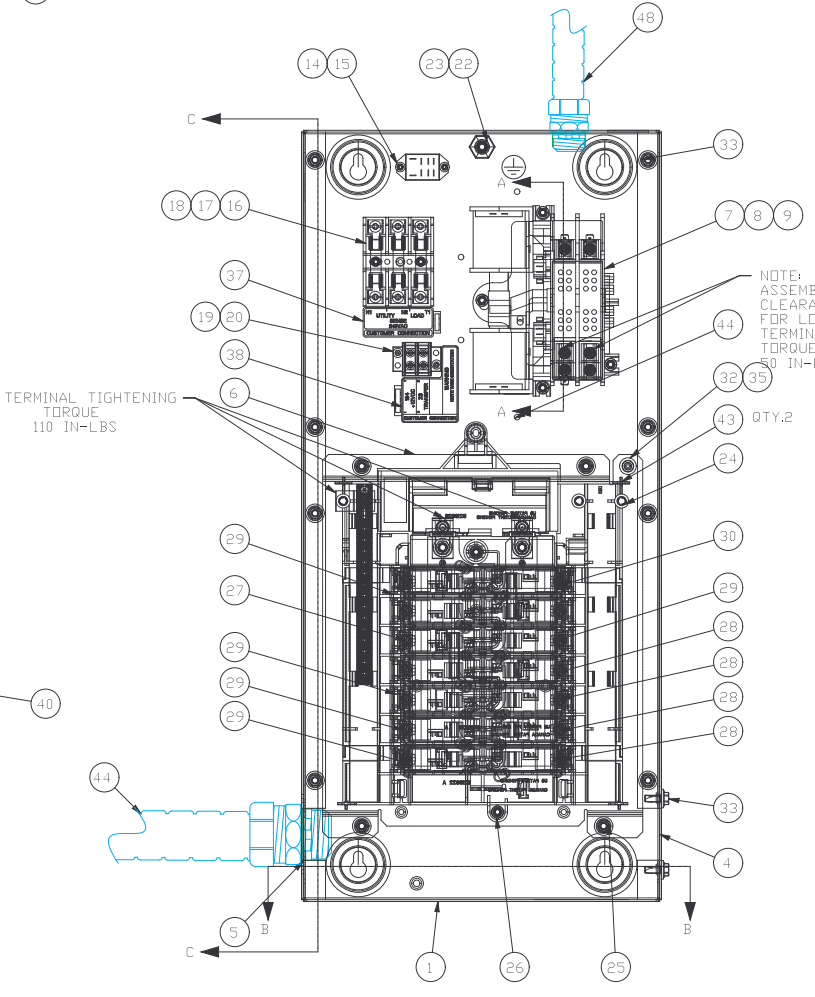
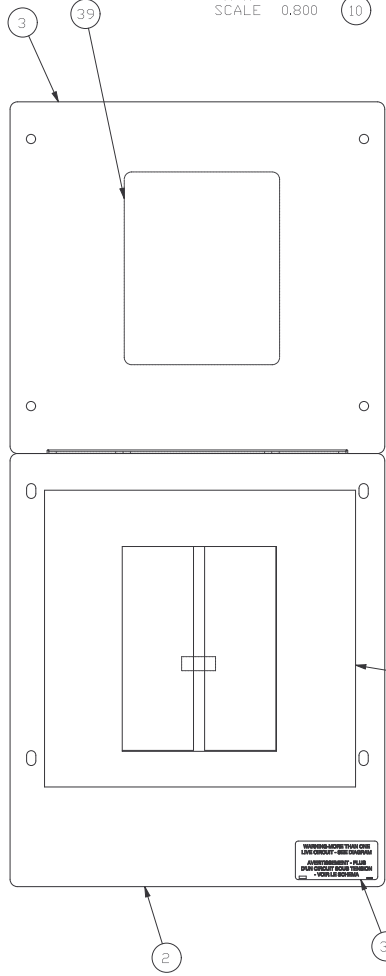
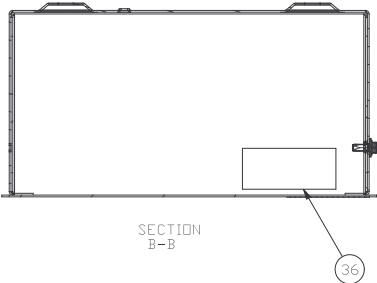
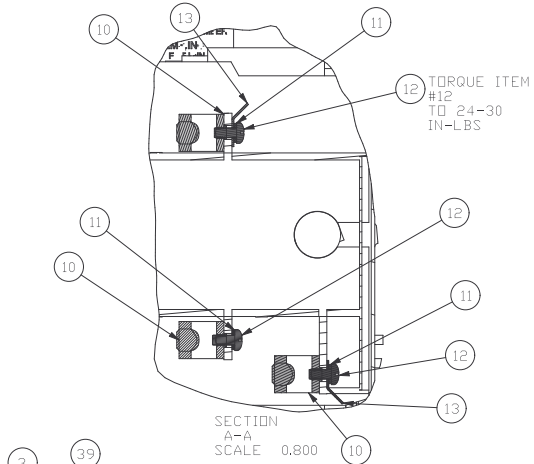
DRAWING #: 0H6427B

GROUP G

ITEM	PART#	QTY.	DESCRIPTION
1	0J6600	1	XFRSW 50A 2P 240V
2	0K0800	6	LUG SLDLSS 1/0-#14X9/16 AL/CU
3	045764	4	SCREW HHTT M4-0.7 X 8 ZP
4	0E7889	1	12CIR L/CENTR 125A/240V SIEMS
5	0C2267	2	SCREW HHTT M5-0.8 X 12 BP
6	0E7888A	1	CB 0030A 2P PLUG IN SIEMENS
7	0E7888B	5	CB 0015A 1P PLUG IN SIEMENS
8	0E7888C	3	CB 0020A 1P PLUG IN SIEMENS
9	0E7888D	1	CB 0040A 2P PLUG IN SIEMENS
10	0K29660ST0R	1	ENCLOSURE 10-12 POS. RTSG LC RAW
11	0K29670ST0R	1	COVER 10-12 POS. RTSG LC RAW
12	0K30000ST0R	1	COVER TOP 10-12 POS. RTSG LC RAW
(2)13	0K0103	1	RELAY PNL 12VDC DPDT 10A@240VA
14	0F2659	4	SCREW HHTT M3-0.5 X 6 BP
15	0J4492	1	INSULATOR, FUSE BLOCK
(2)16	073591	3	FUSEBLOCK 30A 600V 1POS
17	073590A	3	FUSE 5A X BUSS
18	0G8238	1	DECAL,UL PANELBOARD
19	0A1658	1	WASHER LOCK SPECIAL 1/4"
20	024912	1	SCREW HHTT 1/4-20 X 5/8 CZ
21	0G80860ST0R	1	HARNESS ENTRY COVER
22	0G8095AST0R	1	HARNESS ADAPTER PLATE 1-1/4" CONDUIT
23	0A7215	2	SCREW HWHS 1/4-20 X 5/8 NY/W
24	0A2111	8	SCREW HWHS #10-32 X 5/16 ZYC
25	0H6389	1	DECAL UTILITY LOAD SENSE 240V
26	0H6435C	1	DECAL DATA RTG SW.P/N 0H6427A
27	N/A	1	DECAL LC 12 CIRC.
28	095282	1	DECAL-LIVE CIRCUIT
(3)29	0E6155	1	PIN ARM EXTENDER
30	0E6193	1	BRACKET, ARM EXTENDER
31	0K3004	1	DECAL, TEST SEQUENCE
32	0K3006	1	DECAL MANUAL OPERATION - 5AMP FUSE
33	0H6422	1	HARN RTG-MAIN-PNL 12CIR W/NEUT
(1)34	0H6436A	1	HARNESS LC RTG INT.CONN10-16
(1)35	0H6436B	1	HARNESS LC RTG INT.CONN T1
(1)36	0H6436C	1	HARNESS LC RTG INT.CONN T2
37	0K3910	1	HARN GTS-EXT CONBOX 14/17KW
38	031980	5	TIE WRAP UL 14.6 X .14 NATL

- (1) NOT SHOWN ON THIS ASSEMBLY
- (2) SUPPLIED WITH HARNESS ITEM #29
- (3) SUPPLIED WITH ITEM #1

GROUP G



EXPLODED VIEW: LOAD CENTER ASSY 14 CIRCUIT

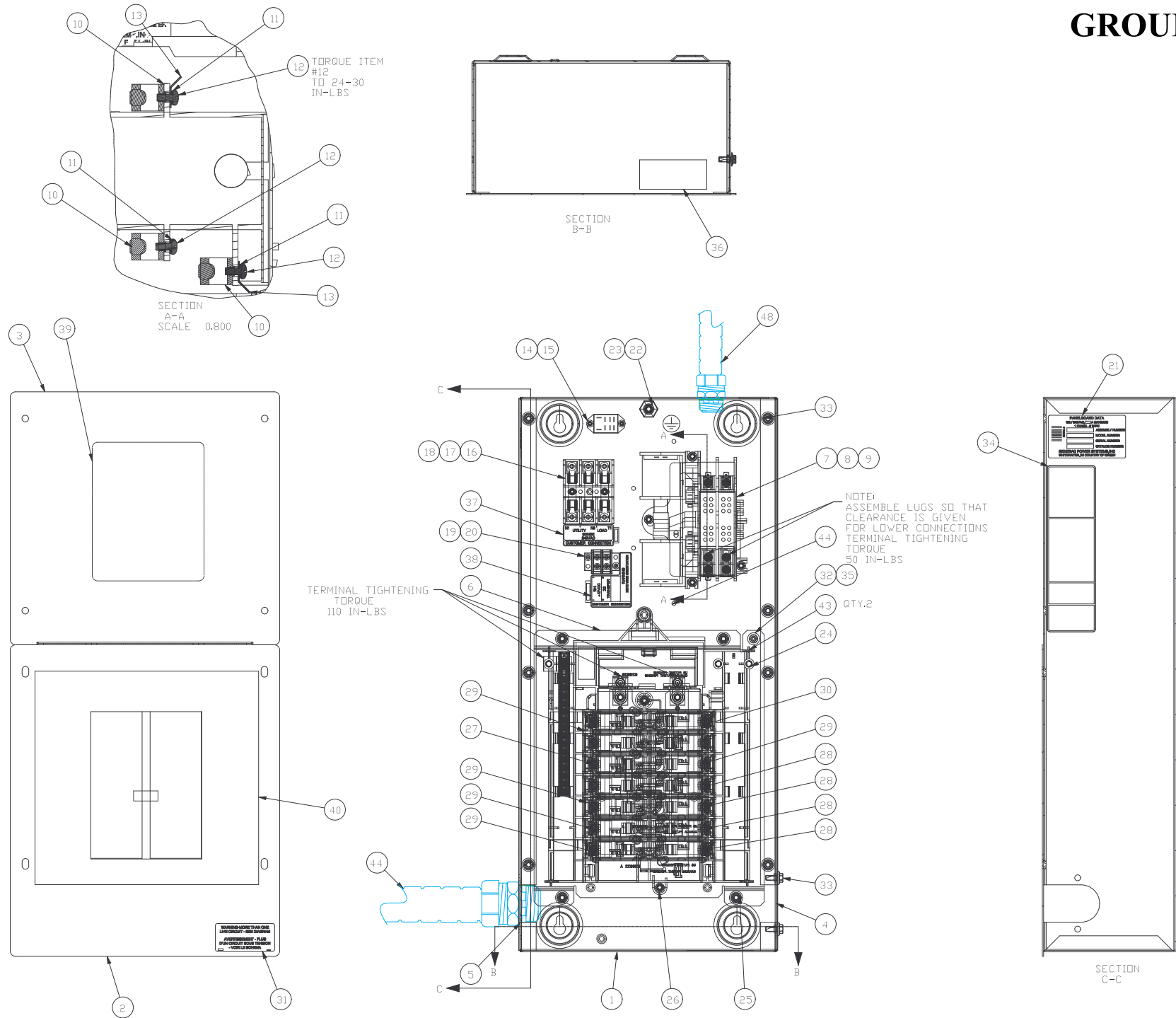
DRAWING #: 0H6428B

GROUP G

ITEM	PART#	QTY.	DESCRIPTION
1	0H64130ST0R	1	RTSG LOAD CENTER ENCLOSURE RAW
2	0H64170ST0R	1	COVER BOTTOM 14 POS. RTSG LOAD CENTER RAW
3	0K18870ST0R	1	COVER TOP 10-16 POS. RTSG LOAD CENTER RAW
4	0G80860ST0R	1	HARNESS ENTRY COVER
5	0G8095AST0R	1	HARNESS ADAPTER PLATE
6	0G81300ST0R	1	SUBPLATE LOAD CENTER
7	0C2237	1	XFRSW HSB 100A 2P 250V
8	0C2380	1	DECAL TRANSFER SWITCH ID 100A
9	074908	4	SCREW HHTT M5-0.8 X 10 BP
10	077033	6	LUG SLDLSS 1/0-#14X9/16 AL/CU
11	022152	6	WASHER LOCK #10
12	036933	6	SCREW PPHM #10-32 X 3/8
13	074138	3	LUG DIS QK NI-S 10X45 DEG BR/T
(2)14	0K0103	1	RELAY PNL 12VDC DPDT 10A@240VA
15	0F2659	2	SCREW HHTT M3-0.5 X 6 BP
(2)16	0D2572	1	FUSEBLOCK 30A 600V 3POS W/SQ
17	073590A	3	FUSE 5A X BUSS
18	045764	2	SCREW HHTT M4-0.7 X 8 ZP
(2)19	048766	1	BLOCK TERM 20A 2 X 6 X 1100V
20	0A1661	2	RIVET POP .156 X .675 AL
21	0H6435E	1	DECAL DATA RTG SW.P/N 0H6428A
22	024912	1	SCREW HHTT 1/4-20 X 5/8 CZ
23	0A1658	1	WASHER LOCK SPECIAL 1/4"
24	0F9213	1	16CIR L/CENTR 125A/240V SIEMS
25	0E4443	4	SCREW HWHS 1/4-20 X 3/8" NY/W
26	066849	2	SCREW HHTT M5-0.8 X 16
27	0E7888	1	CB 0020A 2P PLUG IN SIEMENS
28	0E7888B	4	CB 0015A 1P PLUG IN SIEMENS
29	0E7888C	6	CB 0020A 1P PLUG IN SIEMENS
30	0E7888D	1	CB 0040A 2P PLUG IN SIEMENS
31	095282	1	DECAL-LIVE CIRCUIT
32	022717A	1	GROMMET 3/8 X 1/16 X 1/4
33	0A7215	10	SCREW HWHS 1/4-20 X 5/8 NY/W
34	0A9517	1	DECAL MANUAL 5A FUSE
(3)35	0E6155	1	PIN ARM EXTENDER
36	0G8238	1	DECAL,UL PANELBOARD
37	0H6389	1	DECAL UTILITY LOAD SENSE 240V
38	0H6390	1	DECAL CUSTOMER CONN
39	0H6419	1	DECAL, TEST SEQUENCE
40	N/A	1	DECAL LC 14 CIRC.
41	0F4790	5.28"	U CHANNEL 1/16"
42	0G8233A	4	CABLE TIE SELF MOUNTING 4.3LG.
(1)43	031980	5	TIE WRAP UL14.6 X .14 NATL
44	0H6423	1	HARN RTG-MAIN-PNL 14CIR W/NEUT
(1)45	0H6452A	1	HARN LC RTG INT.CON10-16 100A
(1)46	0H6452B	1	HARN LC RTG INT.CON T1 100A
(1)47	0H6452C	1	HARN LC RTG INT.CON T2 100A
48	0H6397	1	HARN GTS-EXT CONBOX 14/17KW

- (1) NOT SHOWN ON THIS ASSEMBLY
- (2) SUPPLIED WITH HARNESS ITEM #45
- (3) SUPPLIED WITH ITEM #7

GROUP G



EXPLODED VIEW: LOAD CENTER ASSY16 CIRCUIT

DRAWING #: 0H6429B

GROUP G

ITEM	PART#	QTY.	DESCRIPTION
1	0H64130ST0R	1	RTSG LOAD CENTER ENCLOSURE RAW
2	0H64180ST0R	1	COVER BOTTOM 16 POS. RTSG LOAD CENTER RAW
3	0K18870ST0R	1	COVER TOP 10-16 POS. RTSG LOAD CENTER RAW
4	0G80860ST0R	1	HARNESS ENTRY COVER
5	0G8095AST0R	1	HARNESS ADAPTER PLATE
6	0G81300ST0R	1	SUBPLATE LOAD CENTER
7	0C2237	1	XFRSW HSB 100A 2P 250V
8	0C2380	1	DECAL TRANSFER SWITCH ID 100A
9	074908	4	SCREW HHTT M5-0.8 X 10 BP
10	077033	6	LUG SLDLSS 1/0-#14X9/16 AL/CU
11	022152	6	WASHER LOCK #10
12	036933	6	SCREW PPHM #10-32 X 3/8
13	074138	3	LUG DIS QK NI-S 10X45 DEG BR/T
(2)14	0K0103	1	RELAY PNL 12VDC DPDT 10A@240VA
15	0F2659	2	SCREW HHTT M3-0.5 X 6 BP
(2)16	0D2572	1	FUSEBLOCK 30A 600V 3POS W/SQ
17	073590A	3	FUSE 5A X BUSS
18	045764	2	SCREW HHTT M4-0.7 X 8 ZP
(2)19	048766	1	BLOCK TERM 20A 2 X 6 X 1100V
20	0A1661	2	RIVET POP .156 X .675 AL
21	0H6435G	1	DECAL DATA RTG SW.P/N 0H6429A
22	024912	1	SCREW HHTT 1/4-20 X 5/8 CZ
23	0A1658	1	WASHER LOCK SPECIAL 1/4"
24	0F9213	1	16CIR L/CENTR 125A/240V SIEMS
25	0E4443	4	SCREW HWHS 1/4-20 X 3/8" NY/W
26	066849	2	SCREW HHTT M5-0.8 X 16
27	0E7888	1	CB 0020A 2P PLUG IN SIEMENS
28	0E7888B	5	CB 0015A 1P PLUG IN SIEMENS
29	0E7888C	5	CB 0020A 1P PLUG IN SIEMENS
30	0E7888D	1	CB 0040A 2P PLUG IN SIEMENS
31	0E7888E	1	CB 0050A 2P PLUG IN SIEMENS
32	095282	1	DECAL-LIVE CIRCUIT
33	022717A	1	GROMMET 3/8 X 1/16 X 1/4
34	0A7215	10	SCREW HWHS 1/4-20 X 5/8 NY/W
35	0A9517	1	DECAL MANUAL 5A FUSE
(3)36	0E6155	1	PIN ARM EXTENDER
37	0G8238	1	DECAL,UL PANELBOARD
38	0H6389	1	DECAL UTILITY LOAD SENSE 240V
39	0H6390	1	DECAL CUSTOMER CONN
40	0H6419	1	DECAL, TEST SEQUENCE
41	N/A	1	DECAL LC 16 CIRC.
42	0F4790	5.28"	U CHANNEL 1/16"
43	0G8233A	4	CABLE TIE SELF MOUNTING 4.3LG.
(1)44	031980	5	TIE WRAP UL14.6 X .14 NATL
45	0H6424	1	HARN RTG-MAIN-PNL 16CIR W/NEUT
(1)46	0H6452A	1	HARN LC RTG INT.CON10-16 100A (SEE TABLE 2)
(1)47	0H6452B	1	HARN LC RTG INT.CON T1 100A (SEE TABLE 2)
(1)48	0H6452C	1	HARN LC RTG INT.CON T2 100A (SEE TABLE 2)
49	0H6397	1	HARN GTS-EXT CONBOX 14/17KW (SEE TABLE 1)

- (1) NOT SHOWN ON THIS ASSEMBLY
- (2) SUPPLIED WITH HARNESS ITEM #46
- (3) SUPPLIED WITH ITEM #7