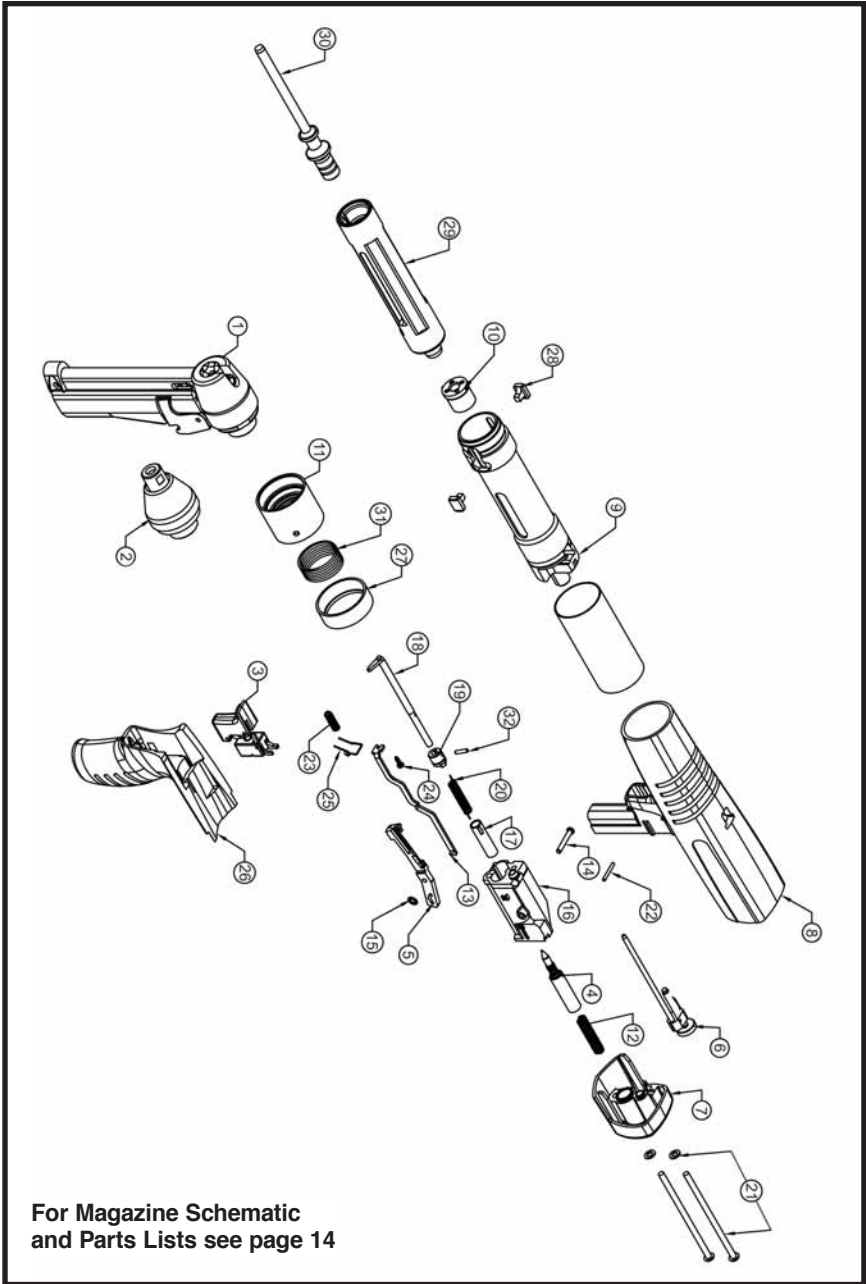


**PARTS SCHEMATIC**



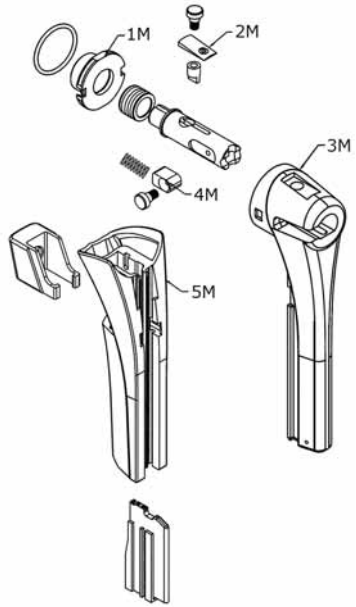
**RAMSET RT400 TOOL PARTS LIST**

<b>KEY</b>	<b>PART NO.</b>	<b>DESCRIPTION</b>	<b>QTY</b>
1	A1000-4	MAGAZINE ASSEMBLY	1
2	A1001-7	MUZZLE BUSHING ASSEMBLY	1
3	A1000-11	TRIGGER ASSEMBLY	1
4	A1001-1	FIRING PIN ASSEMBLY	1
5	A1001-2	ADVANCE LEVER ASSEMBLY	1
6	A1001-3	POWER ADJUSTMENT ASSEMBLY	1
7	A1001-4	END CAP ASSEMBLY	1
8	A1001-5	HOUSING ASSEMBLY	1
9	A1000-6	RECEIVER ASSEMBLY	1
10	A1099	BUFFER ASSEMBLY, (pkg of 3)	1
11	A1001-8	RETENTION COLLAR ASSEMBLY	1
12	A1067	FIRING PIN SPRING	1
13	A1063	ADVANCE LINK ASSEMBLY	1
14	A1068	ADVANCE LEVER ASSEMBLY PIN	1
15	A1045	ADVANCE LEVER ASSEMBLY RETENTION NUT	1
16	A1094	MECHANISM HOUSING	1
17	A1095	MECHANISM HOUSING PLUG	1
18	A1089	COCKING ROD	1
19	A1088	ROTARY SEAR	1
20	A1069	COCKING ROD SPRING	1
21	A1100	END CAP SCREW/WASHER PACKAGE	2
22	A1060	TRIGGER MECHANISM PIN	1
23	A1074	TRIGGER SPRING	1
24	A1061	PLASTITE SCREW, TRIGGER	1
25	A1075	TRIGGER SEAR SPRING	1
26	A1046	HANDLE	1
27	A1005	PAWL HOUSING	1
28	316540	PAWL, (pkg of 2)	2
29	A1006	BARREL	1
30	A1010	PISTON	1
31	A1009	RETURN SPRING	1
32	A1071	ROLL PIN	1

# MAGAZINE SCHEMATIC/MAINTENANCE \_\_\_\_\_

## RT400 TOOL MAGAZINE SCHEMATIC AND PARTS LIST

KEY	PART NO.	DESCRIPTION
1M	A1011A	MUZZLE ASSEMBLY
2M	A1077A	LOCKOUT ASSEMBLY
3M	A1013	MAGAZINE HOUSING
4M	A1021A	SPRING BLOCK ASSEMBLY
5M	A1014A	MAGAZINE SLIDER/ FOLLOWER ASSEMBLY



### MAINTENANCE

**IMPROPERLY MAINTAINED TOOLS CAN CAUSE SERIOUS INJURIES  
TO TOOL OPERATOR AND BYSTANDERS  
CLEAN TOOL DAILY**

Always make sure the tool is not loaded before performing any service or repair and always wear safety goggles when cleaning or servicing the tool.

#### NORMAL CLEANING

All front end parts shown in the disassembly section are to be cleaned daily with a good detergent oil and wire brush. Remove all dirt and carbon buildup and wipe parts dry with a clean rag. Check all parts for wear or damage before reassembly and replace or repair any worn or damaged parts.

#### COMPLETE CLEANING / GENERAL MAINTENANCE

Heavy or constant exposure to dirt and debris may require that the tool be cleaned more extensively. Complete disassembly and cleaning of all parts may be necessary to restore the tool to normal operation. General maintenance should be performed every six months or more often if the tool is subjected to heavy use. Contact your authorized Ramset Distributor for assistance.

**ALWAYS FUNCTION TEST THE TOOL AFTER PERFORMING ANY  
SERVICE. SEE PAGE 9 FOR DETAILS ON THE FUNCTION TEST.**

# MAGAZINE SCHEMATIC/MAINTENANCE \_\_\_\_\_