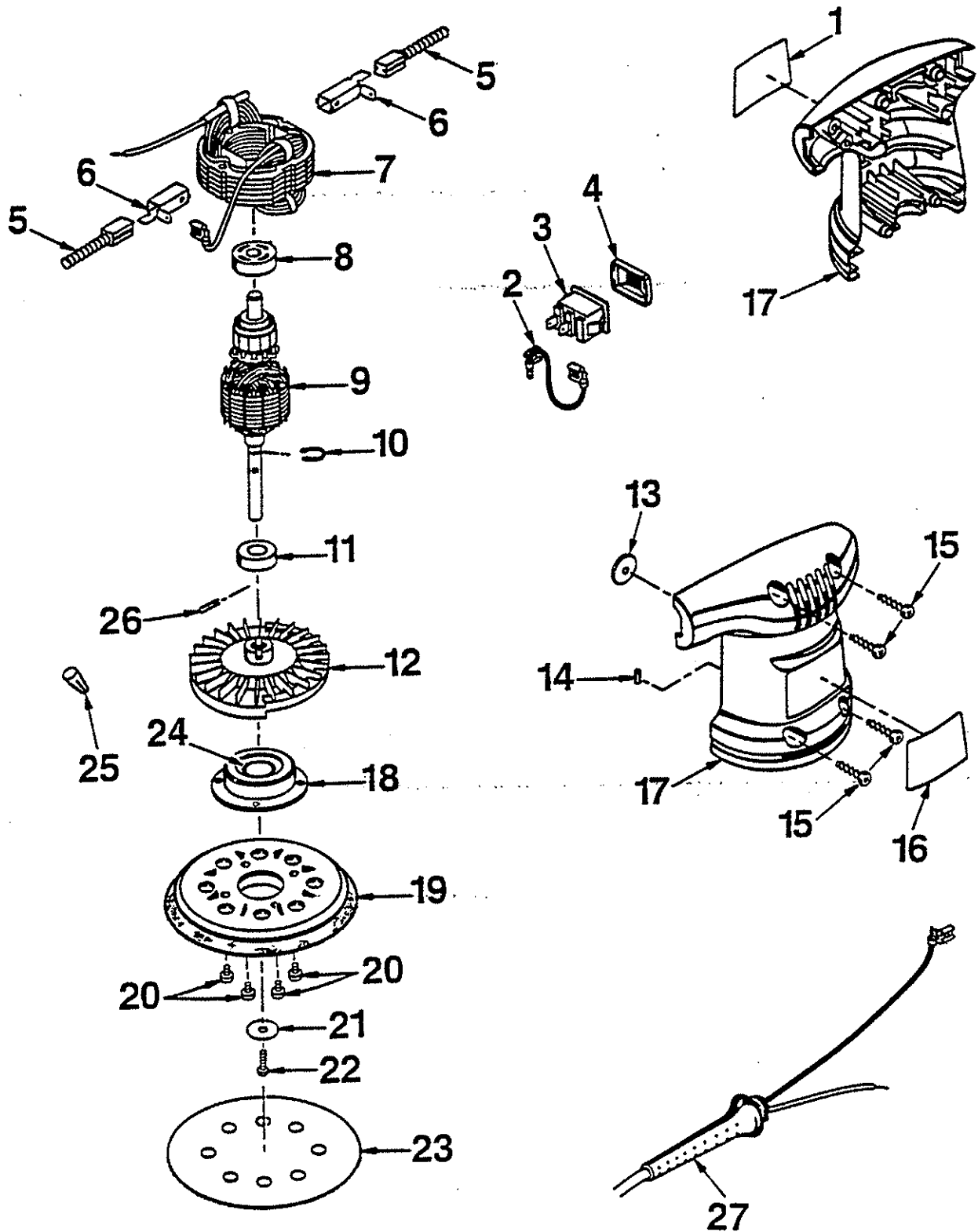


SANDER

RS-112



**PARTS LIST FOR AFTER SALES SERVICE
MODEL RS112**

	PART NO.	DESCRIPTION	QTY	REF	PART NO.	DESCRIPTION	QTY
1	971278001	LOGO PLATE	1				
2	971880003	LEAD	1				
3	968303023	SWITCH	1				
4	971443002	SWITCH COVER	1				
5	968304013	BRUSH ASSEMBLY	2				
6	999186001	BRUSH TUBE	2				
7	968307039	FIELD ASSEMBLY	1				
8	990133002	SLEEVE BEARING	1				
9	968306031	ARMATURE ASSEMBLY	1				
10	622167014	RETAINING RING	1				
11	622274001	BALL BEARING #608LLB	1				
12	971275001	FAN	1				
13	623322003	STATOR PAD	1				
14	623019004	RUBBER PLUG	1				
15	968700011	SCREW	4				
16	971277001	DATA PLATE	1				
17	971279000	HOUSING ASSEMBLY	1				
18	968305012	BEARING CAP W/ BEARING	1				
19	971790001	BACKING PAD	1				
20	998586002	SCREW	4				
21	968347001	WASHER	1				
22	969649001	SCREW	1				
23		* SANDING DISC	1				
24	969235004	BALL BEARING #6002LLU	1				
25	623173001	WIRE NUT	1				
26	941401834	ROLL PIN	1				
27	970105007	CORD	1				
* SEE CATALOG FOR ASSORTMENT							

SERVICE NOTES: