

Reciprocating saw - 0 601 64E 039 - RS10

www.powertools-aftersaleservice.com

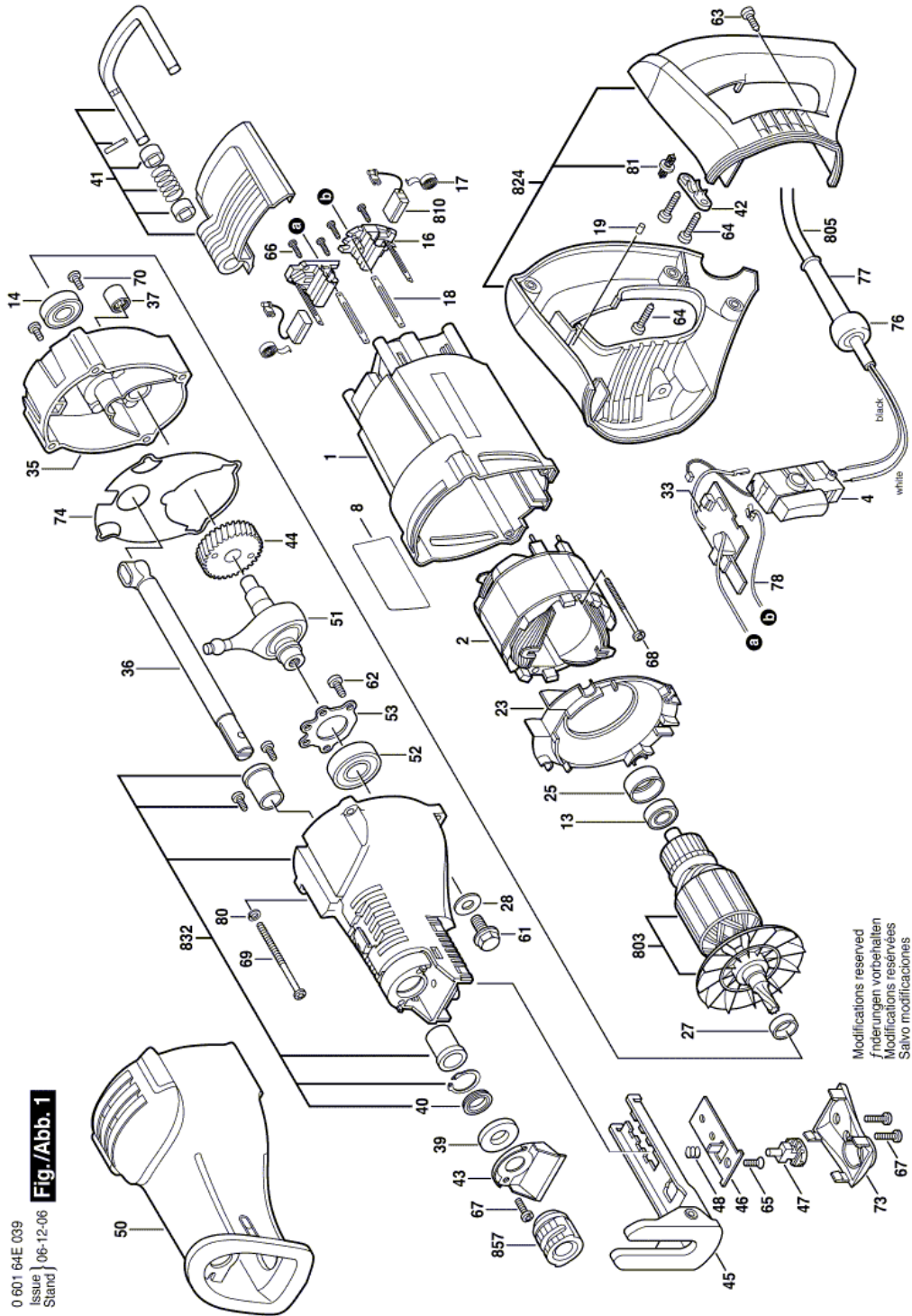


BOSCH

Item	Part Number	Description	Illustration	Price	Quantity	Price Group
1	2 610 918 050	Motor Housing	1	-,-	1	29
2	1 604 220 368	Field 120V	1	-,-	1	33
4	2 610 918 107	Switch	1	-,-	1	28
8	2 610 918 085	Nameplate	1	-,-	1	-
13	1 619 P01 511	Ball Bearing	1	-,-	1	19
14	1 900 905 161	groove ball bearing 12x28x8	1	-,-	1	31
16	2 610 913 034	Brush Holder	1	-,-	2	13
17	3 604 652 500	Spiral Spring	1	-,-	2	10
18	1 604 477 005	Blade terminal	1	-,-	2	11
19	2 610 350 103	Pin	1	-,-	1	11
23	2 610 919 119	Baffle	1	-,-	1	14
25	3 600 206 501	Rubber Bushing	1	-,-	1	14
27	2 610 918 033	Spacer	1	-,-	1	12
28	2 610 908 804	Protective Washer	1	-,-	1	13
33	2 610 918 035	Circuit Unit	1	-,-	1	21
35	2 610 918 048	Bearing Plate	1	-,-	1	28
36	2 610 917 060	Spindle Assembly	1	-,-	1	37
37	2 610 908 698	Bearing Shell	1	-,-	1	20
39	2 610 030 004	Felt Washer SP 14,0	1	-,-	1	12
40	2 610 995 815	Shaft Seal	1	-,-	1	22
41	2 610 918 077	Assembly Hook	1	-,-	1	29
42	2 610 993 191	Cable Clip	1	-,-	1	11
43	2 610 920 678	Sealing Plate	1	-,-	1	12
44	2 610 908 802	Toothed Gear	1	-,-	1	26
45	2 610 923 226	Supporting foot	1	-,-	1	32
46	2 610 922 844	Retaining Plate	1	-,-	1	11
47	2 610 922 567	Locking Piece	1	-,-	1	17
48	2 610 918 060	Compression Spring	1	-,-	1	10
50	2 610 918 061	Insulating Sleeve	1	-,-	1	30
51	2 610 918 075	Wobble Plate	1	-,-	1	40
52	2 610 015 361	groove ball bearing	1	-,-	1	28
53	1 619 P01 308	Retaining Plate	1	-,-	1	12
61	2 610 918 051	Trunnion	1	-,-	1	11

Item	Part Number	Description	Illustration	Price	Quantity	Price Group
62	1 619 P01 447	Screw	1	-,-	5	10
63	1 619 P01 505	Screw	1	-,-	4	10
64	1 619 X00 504	Screw	1	-,-	5	10
65	2 610 918 063	Screw	1	-,-	1	10
66	2 610 909 719	Screw BLACK	1	-,-	4	11
67	1 619 P01 491	Screw	1	-,-	3	10
68	1 619 P01 508	Screw	1	-,-	2	10
69	2 610 918 049	Screw	1	-,-	4	10
70	2 610 907 504	Screw	1	-,-	4	12
73	2 610 919 447	Support Plate	1	-,-	1	12
74	2 610 918 038	Sealing Plate	1	-,-	1	13
76	1 603 231 014	Locking element	1	-,-	1	12
77	2 600 703 013	Grommet Ø7,6-Ø8,2x95 MM	1	-,-	2	13
78	2 610 920 679	Cable	1	-,-	1	11
80	2 916 683 006	Spring Lock Washer DIN 127-B 5	1	-,-	4	12
81	2 610 947 364	Clip	1	-,-	1	11
803	2 610 920 759	Armature 115V	1	-,-	1	47
805	3 604 460 514	Power supply cord USA/CDN 3,275m 2 x 1,32mm SJ 16/2	1	-,-	1	28
810	2 610 920 682	Carbon-Brush Set	1	-,-	1	23
824	2 610 947 790	Set Of Handles	1	-,-	1	29
832	2 610 920 683	Gear Housing	1	-,-	1	38
857	2 610 920 684	Toolholder	1	-,-	1	34

Illustration - Type E



0 601 64E 039
Issue 06-12-06
Stand
Fig./Abb. 1

Information subject to change without further notice.