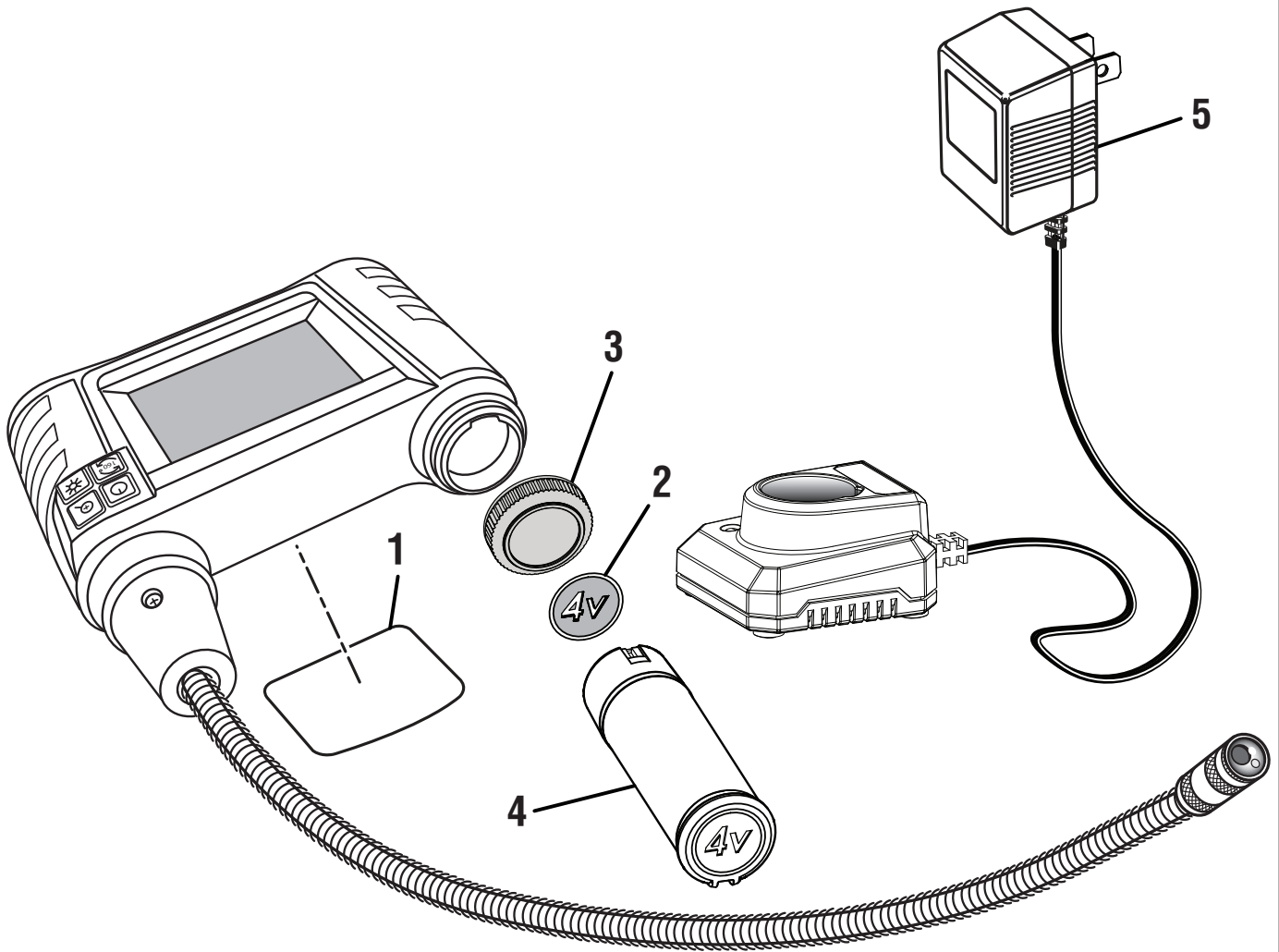


## RYOBI INSPECTION TOOL – MODEL NO. RP4205

The model number will be found on a label attached to the housing. Always mention the model number in all correspondence regarding your **INSPECTION TOOL** or when ordering replacement parts.

### FIGURE A



### FIGURE A PARTS LIST

KEY NO.	PART NUMBER	DESCRIPTION	QTY.	KEY NO.	PART NUMBER	DESCRIPTION	QTY.
1	83-928-F00H000	Data Label .....	1	<b>NOT SHOWN:</b> 987000844 Operator's Manual (RP4205)..... 1 987000706 Operator's Manual (AP4001)..... 1 987000820 Operator's Manual (AP4800)..... 1 6-29-10 (REV:01)			
2	83-187-R01H000	4V Label.....	1				
3	52-187-R04R010	Battery Cap .....	1				
4	130166003	Battery Pack (AP4001, 4 Volt Li-ion) .....	1				
5	140132001	Charger (AP4800, 4 Volt Li-ion) .....	1				