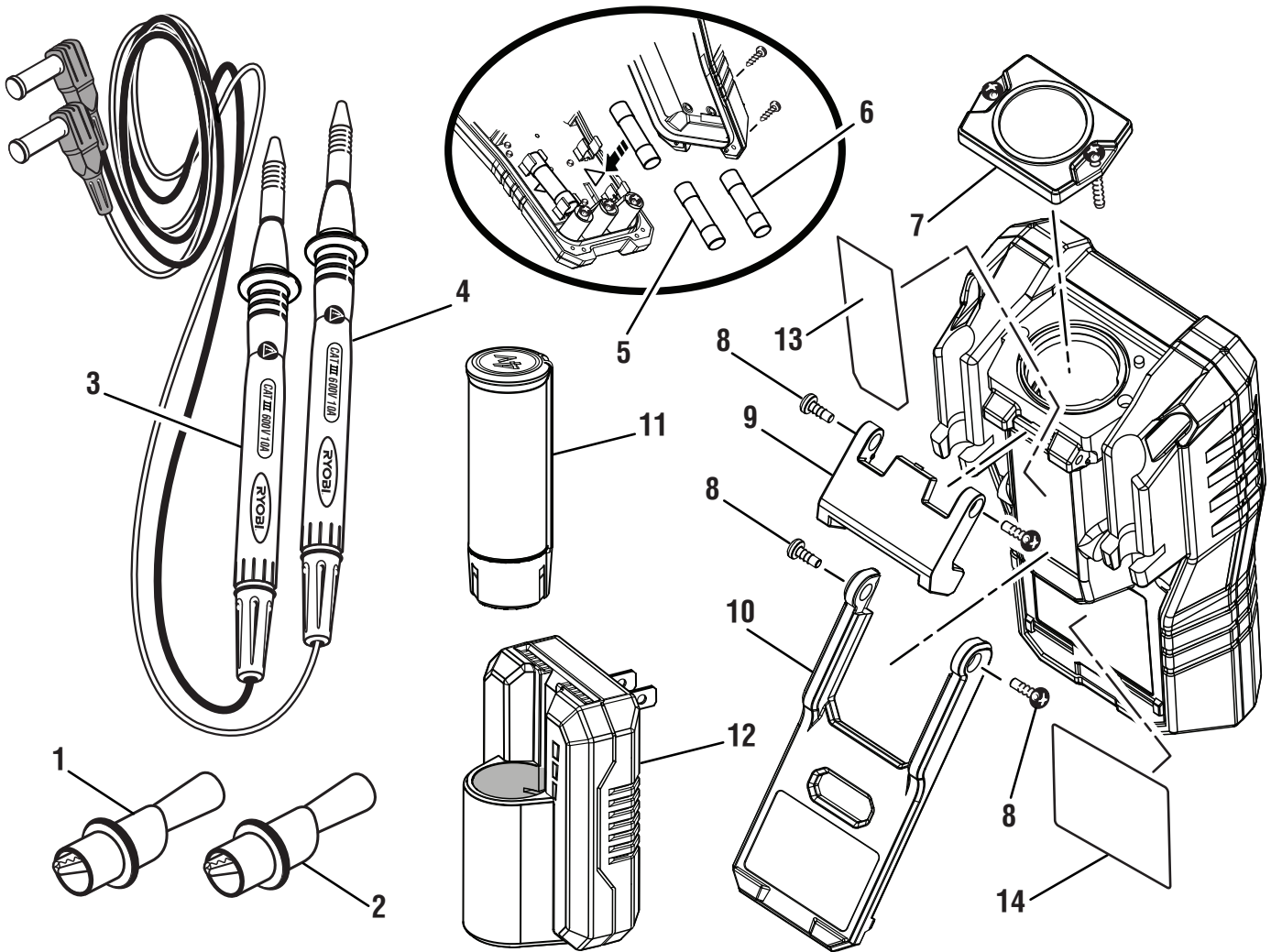


RYOBI DIGITAL MULTIMETER – MODEL NO. RP4020

The model number will be found on a label attached to the housing. Always mention the model number in all correspondence regarding your **DIGITAL MULTIMETER** or when ordering replacement parts.



PARTS LIST

KEY NO.	PART NUMBER	DESCRIPTION	QTY.	KEY NO.	PART NUMBER	DESCRIPTION	QTY.
1	019604001039	Black Alligator Clip	1	12	140129002	Charger (AP4700, 4 Volt Li-ion)	1
2	019604001038	Red Alligator Clip.....	1	13	019604001041	Warning Label.....	1
3	019604001037	Black Probe	1	14	019604001043	Data Label	1
4	019604001036	Red Probe.....	1	NOT SHOWN:			
5	019604001027	Fuse (400 mA).....	1	987000654	Operator's Manual (AP4700) ...	1	
6	019604001028	Fuse (10 Amp)	1	987000664	Operator's Manual (RP4020) ...	1	
7	019604001014	Battery Cover Assembly	1	987000706	Operator's Manual (AP4001) ...	1	
8	019604001021	Screw.....	4	7-16-09			
9	019604001020	Hook	1	(REV:01)			
10	019604001022	Kick Stand	1				
11	130166003	Battery Pack (AP4001, 4 Volt Li-ion)	1				