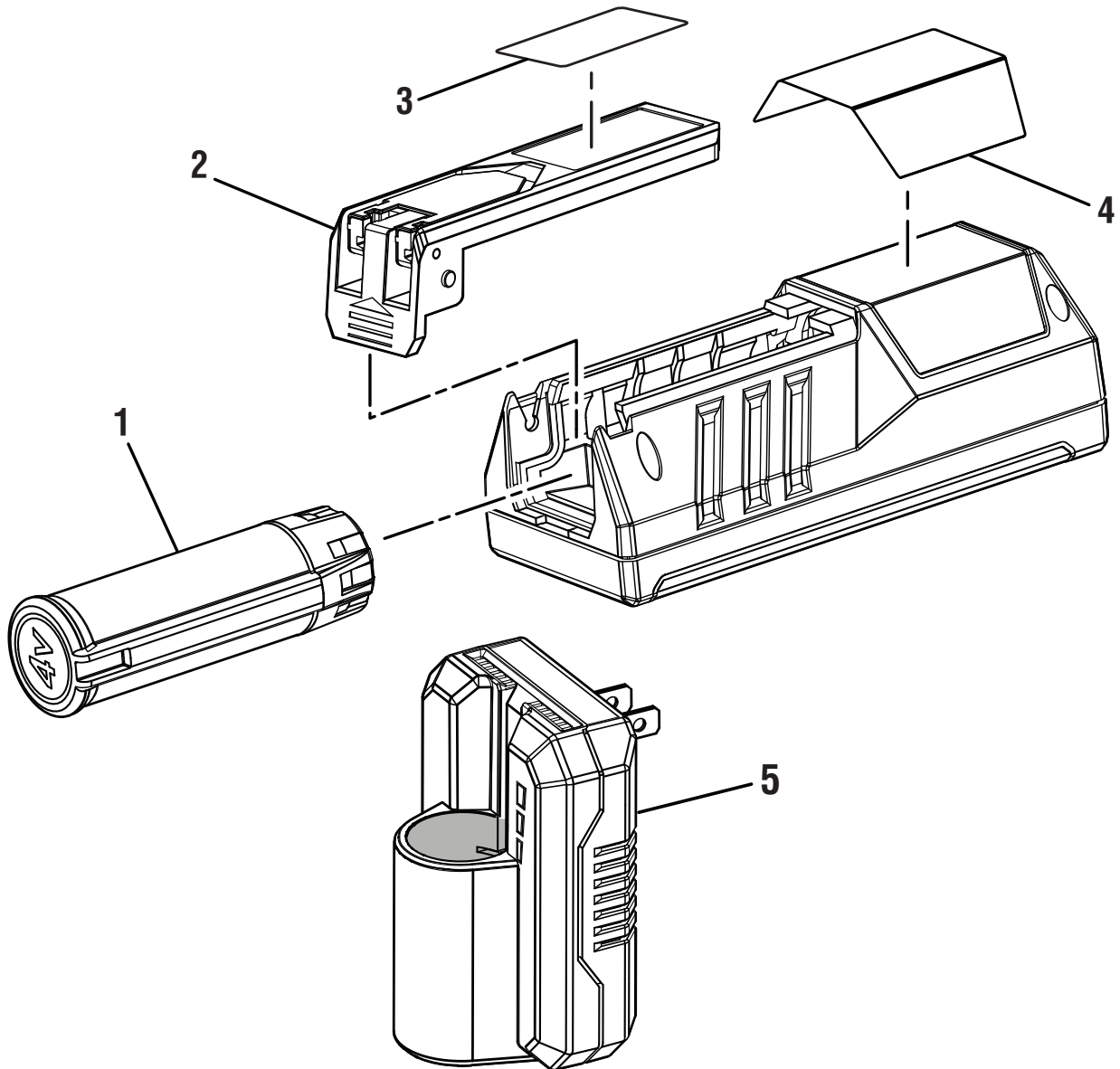


## RYOBI LASER DISTANCE MEASURE – MODEL NO. RP4010

The model number will be found on a label attached to the housing. Always mention the model number in all correspondence regarding your **LASER DISTANCE MEASURE** or when ordering replacement parts.



### PARTS LIST

KEY NO.	PART NUMBER	DESCRIPTION	QTY.	KEY NO.	PART NUMBER	DESCRIPTION	QTY.
1	130166003	Battery Pack (AP4001, 4 Volt Li-ion) .....	1	<b>NOT SHOWN:</b>			
2	07-204-X03H	Battery Door Assembly .....	1	82-940-204-X00	Carrying Pouch .....	1	
3	140129002	Charger (AP4700, 4 Volt Li-ion) .....	1	987000666	Operator's Manual (RP4010) ..	1	
4	83-204-X01R000	Data Label .....	1	987000654	Operator's Manual (AP4700) ..	1	
5	83-204-X02R000	Warning Label .....	1	987000706	Operator's Manual (AP4001) ..	1	
				7-29-09 (REV:01)			