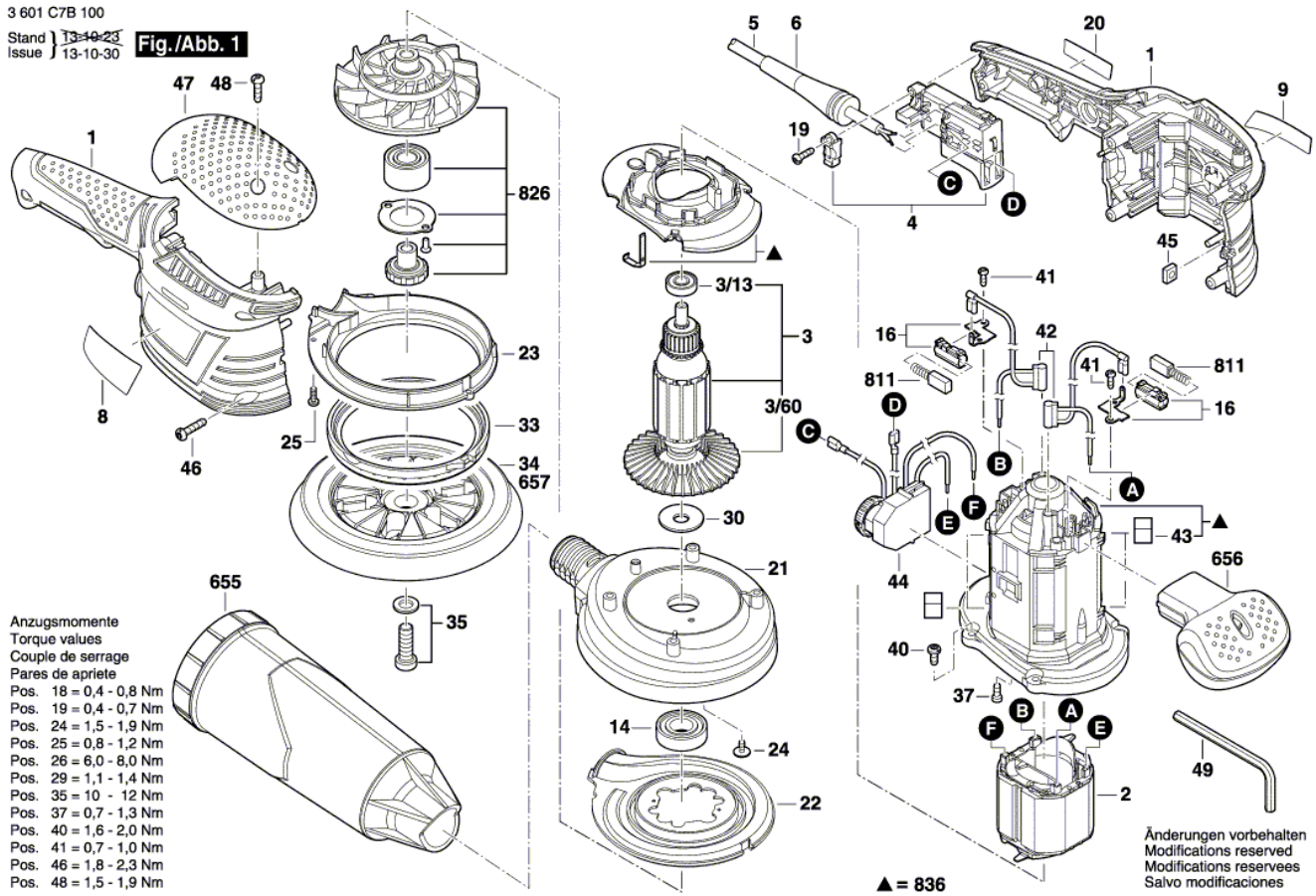


3 601 C7B 100

Stand | 13-10-23  
Issue | 13-10-30

Fig./Abb. 1



Pos.	Part Number	Description	Pos.	Part Number	Description
1	2 605 105 964				
2	2 604 220 744				
3	2 604 011 435				
3/13	2 600 905 051	Deep-Groove Ball Bearing			
3/60	2 606 610 076	Fan			
4	2 607 200 689				
5	2 604 460 240	Power supply cord			
6	2 600 703 070				
8	2 601 111 614				
9	2 601 111 853				
14	2 600 905 034	Deep-Groove Ball Bearing			
16	2 604 337 003	Brush Holder			
19	2 603 490 017	Torx Oval-Head Screw			
20	2 601 111 477				
21	2 600 283 022				
22	2 601 328 091				
23	2 601 328 090				
24	2 603 435 043	Special Screw			
25	2 603 435 096				
30	2 600 100 041	Plain Washer			
33	2 600 206 028				
34	2 608 601 106	Backing Pad			
35	2 910 130 244	Hex Socket Head Cap Screw			
37	2 603 435 086	Tapping Screw			
40	2 603 435 042	Thread-forming tap. Screw			
41	2 603 490 017	Torx Oval-Head Screw			
42	2 604 448 368				
43	2 603 203 041				
44	1 607 233 440				
45	2 915 121 006	Square Nut			
46	2 603 490 023	Lens Head Screw			
47	2 605 500 208				
48	2 603 490 022	Torx Oval-Head Screw			
49	1 907 950 006	Offset Screwdriver			
655	2 605 411 234				
656	2 602 026 175				
811	1 607 014 117	Carbon-Brush Set			
826	2 606 610 903	Fan			
836	2 605 105 966				