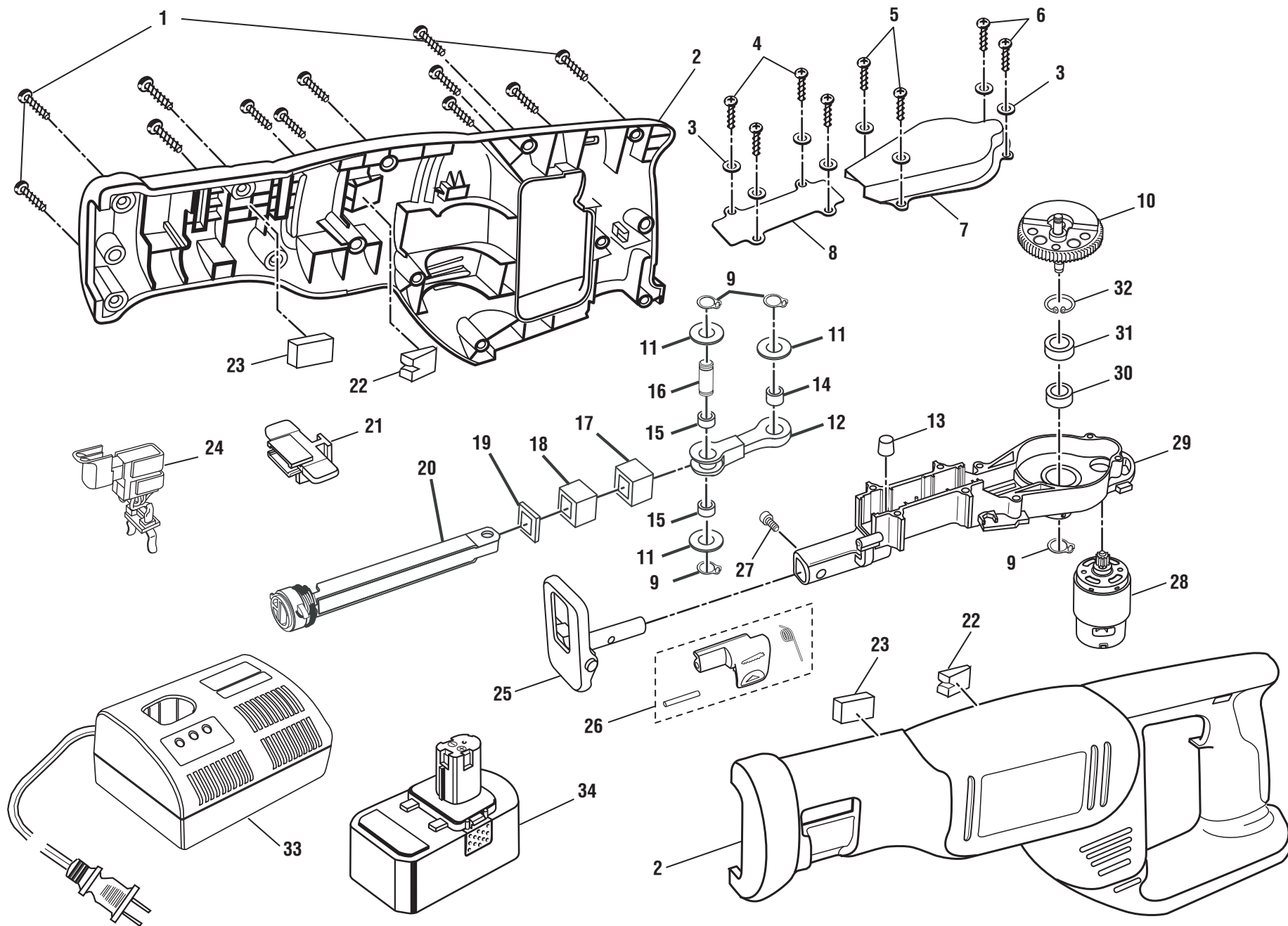


RYOBI 18.0 VOLT CORDLESS RECIPROCATING SAW - MODEL NUMBER RJC181



RYOBI 18.0 VOLT CORDLESS RECIPROCATING SAW – MODEL NUMBER RJC181

The model number will be found on a label attached to the motor housing. Always mention the model number in all correspondence regarding your **RECIPROCATING SAW** or when ordering repair parts.

PARTS LIST

KEY NO.	PART NUMBER	DESCRIPTION	QTY.	KEY NO.	PART NUMBER	DESCRIPTION	QTY.
1	6620805	SCREW (M4 x 16 mm).....	12	22	5672301	RUBBER WEDGE.....	2
2	984029001	HOUSING ASSEMBLY	1	23	5670301	RUBBER PAD.....	2
3	6703001	SPRING WASHER.....	8	24	2701090	SWITCH ASSEMBLY	1
4	660165007	SCREW (M4 x 18 mm).....	4	25	300216040	SHOE ASSEMBLY.....	1
5	6616502	SCREW (M4 x 12 mm).....	2	26	984030001	BLADE RELEASE MECHANISM	1
6	6621209	SCREW (M4 x 25 mm).....	2	27	6616926	SCREW (M6 x 14 mm) W/SPRING WASHER	1
7	6899801	GEAR CASE COVER	1	28	230074014	MOTOR ASSEMBLY.....	1
8	6900501	SLIDING ROD COVER.....	1	29	6899705	GEAR CASE SUPPORT.....	1
9	6770401	RETAINING RING	4	30	6899902	BALL BEARING (696-ZZ)	1
10	3030810	GEAR ASSEMBLY	1	31	6899901	BALL BEARING (607-ZZ)	1
11	690915019	WASHER	3	32	6902501	RETAINING RING	1
12	641201001	CONNECTING ROD	1	33	1423701	BATTERY CHARGER.....	1
13	5670401	RUBBER CUSHION	1	34	1322401	BATTERY PACK.....	1
14	610824001	NEEDLE ROLLER BEARING	1	Not Shown:			
15	672354002	CONNECTING BUSHING.....	2		9426307	LOGO PLATE.....	1
16	681081002	PIN.....	1		9427007	DATA PLATE	1
17	672355003	SLIDE BUSHING	1		6929101	BLADE	1
18	672353003	SLIDE BUSHING	1		6929201	BLADE	1
19	901512001	FIBER SHEET	1		983000074	OPERATOR'S MANUAL	
20	300309027	SLIDING ROD ASSEMBLY	1		8-2-10		
21	984987001	SAFETY BUTTON W/SPRING.....	1		(REV:07)		

WARNING: Improper repair of a double insulated tool can result in damage to the double insulation system possibly causing electrical shock or electrocution. Any repairs requiring disassembly of your tool requires safety testing and should only be performed by a Ryobi Authorized Service Center. For the service center nearest you call 1-800-525-2579.