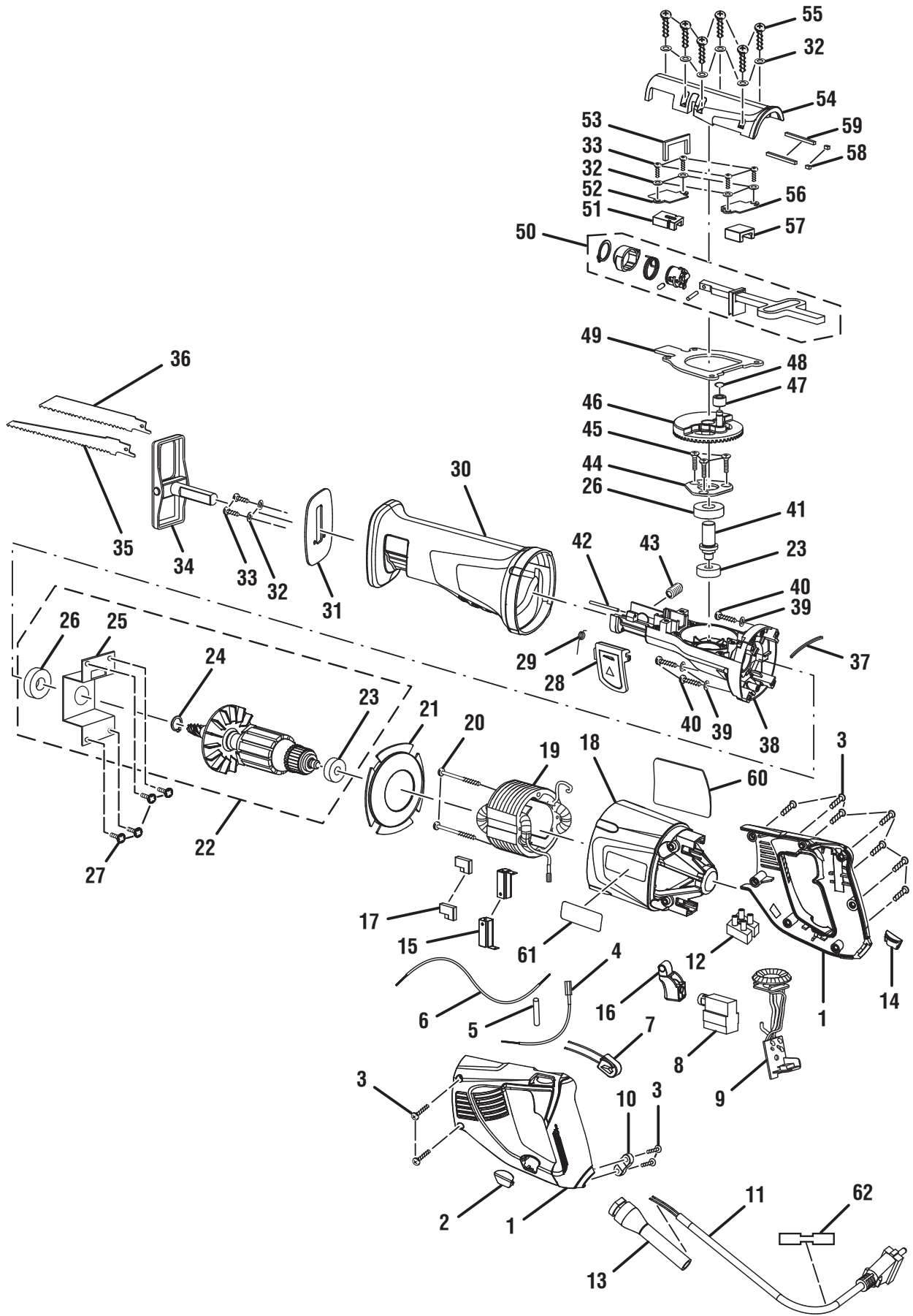


RYOBI RECIPROCATING SAW – MODEL NUMBER RJ165V



RYOBI RECIPROCATING SAW – MODEL NUMBER RJ165V

The model number will be found on a label attached to the motor housing. Always mention the model number in all correspondence regarding your **RECIPROCATING SAW** or when ordering repair parts.

PARTS LIST

KEY PART NO. NUMBER	DESCRIPTION	QTY.	KEY PART NO. NUMBER	DESCRIPTION	QTY.		
1	200682001	Handle Assembly.....	1	34	300216046	Shoe Assembly	1
2	516933001	Left Live Indicator Lens	1	35	690347002	Wood Cutting Blade (6 in.).....	1
3	660208052	Screw (M4 x 16 mm).....	11	36	690348003	Metal Cutting Blade (4 in.)	1
4	290061150	Receptacle & Wire Assembly....	1	37	9066701	Gear Case Seal.....	1
5	700003001	Shrink Tube.....	1	38	640535002	Gear Case.....	1
6	770318131	Black Lead.....	1	39	680863003	Spring Washer	4
7	290251013	Live Indicator	1	40	660259008	Screw (M4.5 x 35 mm).....	4
8	7628601	Switch.....	1	41	621555001	Gear Shaft.....	1
9	280013189	Circuit Board Assembly	1	42	6833409	Pin.....	1
10	5950101	Cord Clamp	1	43	660170001	Screw (M10 x 10 mm).....	1
11	730372022	Power Cord.....	1	44	6839502	Shaft Mounting Plate	1
12	690331001	Terminal Block	1	45	660213019	Screw (M4 x 16 mm).....	3
13	5927402	Bend Relief	1	46	300362022	Gear & Pin Assembly	1
14	516934001	Right Live Indicator Lens	1	47	6829601	Needle Bearing	1
15	290069077	Brush Assembly.....	2	48	6770401	Retaining Ring	1
16	516932001	Trigger.....	1	49	6934501	Yoke Plate.....	1
17	560199002	Terminal Sleeve.....	2	50	304003003	Output Shaft Assembly.....	1
18	516929002	Motor Housing.....	1	51	610730002	Guiding Block	1
19	741199001	Field	1	52	6934201	Cover Plate.....	1
20	660156002	Screw (M4 x 50 mm).....	2	53	5682601	Rubber Seal.....	1
21	516935001	Baffle.....	1	54	516928002	Gear Case Cover	1
22	200698001	Armature Assembly (Inc. Key Nos. 23-26)	1	55	660165007	Screw (M4 x 18 mm).....	6
23	680141018	Ball Bearing (608ZZ)	2	56	6934901	Cover Plate	1
24	6939601	C-Ring	1	57	690356003	Guide Block	1
25	6950301	Bearing Cover.....	1	58	902176001	Foam Seal.....	2
26	690395003	Ball Bearing (6001ZZ)	2	59	902175001	Foam Seal.....	2
27	660228012	Screw (M3 x 8 mm).....	4	60	940114212	Data Label	1
28	301232006	Release Lever Assembly	1	61	940114213	Logo Label.....	1
29	6950201	Torsion Spring.....	1	62	940114214	Cord Tag Label	1
30	561990001	Rubber Boot	1	Not Shown:			
31	632394002	Guide Plate	1	902036002	Tool Bag		
32	670030004	Spring Washer	12	987000321	Operator's Manual		
33	6621202	Screw (M4 x 10 mm).....	6	9-5-13			
				(Rev:10)			

⚠ WARNING: Improper repair of a double insulated tool can result in damage to the double insulation system possibly causing electrical shock or electrocution. Any repairs requiring disassembly of your tool requires safety testing and should only be performed by a Ryobi Authorized Service Center. For the service center nearest you call 1-800-525-2579.