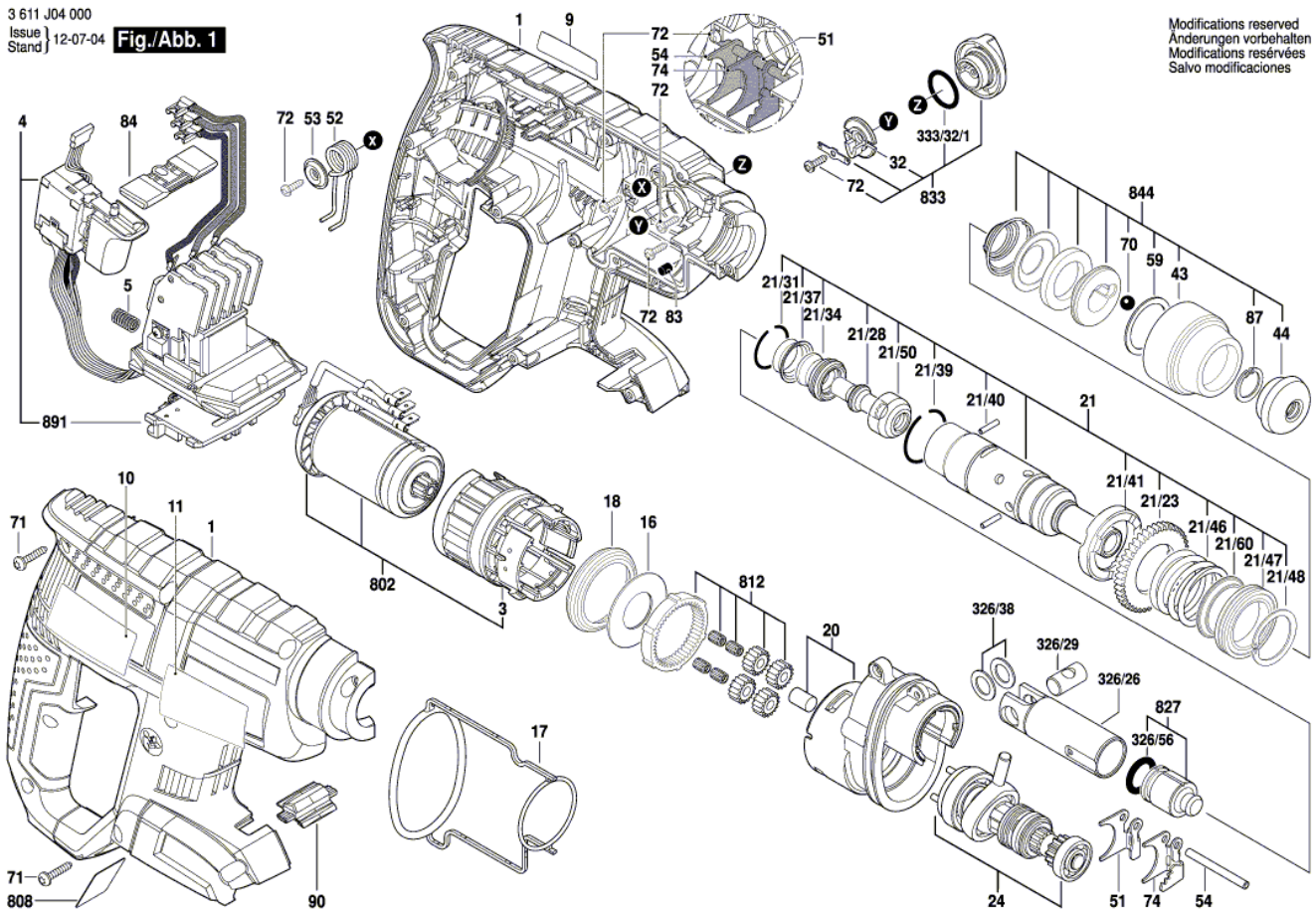


1800 W. Central Mount Prospect IL 60056

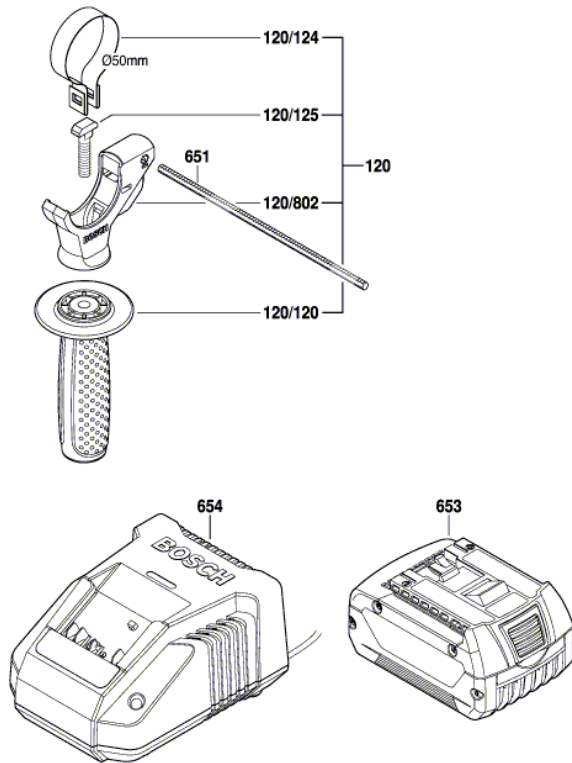
3 611 J04 000  
Issue 12-07-04  
Stand

**Fig./Abb. 1**



1800 W. Central Mount Prospect IL 60056

3 611 J04 000  
Issue } 12-07-04  
Stand } **Fig./Abb. 2**



Modifications reserved  
Änderungen vorbehalten  
Modifications réservées  
Salvo modificaciones

Pos.	Part Number	Description	Pos.	Part Number	Description
1	1 615 104 066		827	1 617 000 669	Striker
3	1 610 499 067	Centering Sleeve	833	1 617 000 6EW	
4	1 607 233 376		844	1 617 000 6D3	
5	1 609 280 477		891	1 609 280 478	
9	1 611 110 W69				
10	1 611 110 W70				
11	1 611 110 W71				
16	1 610 102 637	Supporting Disc			
17	1 611 015 062				
18	1 610 290 116				
20	1 617 000 6BH				
21	1 617 000 667	Hammer Pipe			
21/23	1 616 317 084	Cylindrical Gear			
21/28	1 613 124 084	Striker Pin			
21/31	1 614 601 053	Retaining ring			
21/34	1 610 508 051	Rubber Bushing			
21/37	1 610 551 008	Holding Plate			
21/39	1 614 601 055	Retaining ring			
21/40	1 613 100 032	Straight Pin			
21/41	1 610 102 072	Ratchet Disc			
21/46	1 614 630 003	Compression Spring			
21/47	1 610 905 039	Deep-Groove Ball Bearing			
21/48	1 614 601 054	Retaining ring			
21/50	1 610 400 039	Guide Bushing			
21/60	1 610 190 054	Support Disc			
24	1 617 000 6EU				
32	1 612 026 114	Switch Button			
43	1 610 499 080				
44	1 610 508 052	Protective Cap			
51	1 619 P01 787	Shift Plate			
52	1 614 690 010				
53	1 619 P00 828	Pressure Disc			
54	1 613 100 033	Guide Rod			
59	1 610 102 045	Friction Washer			
70	1 903 230 013	Ball			
71	1 613 435 036	Torx Oval-Head Screw			
72	2 603 490 017	Torx Oval-Head Screw			
74	1 613 231 031				
83	2 603 100 056	Rubber Buffer			
84	1 613 231 029				
87	1 614 601 077				
90	1 600 A00 071				
120	1 612 025 057	Auxiliary Handle			
120/120	1 612 025 058	Auxiliary Handle			
120/124	1 611 316 021	Clamping Band			
120/125	1 613 490 002	T-Head Bolt			
120/802	1 617 000 475	index turning toolholder			
326/26	1 618 700 083	Hammer Piston			
326/29	1 613 100 034	Piston Pin			
326/38	1 610 100 016	Guide Disc			
326/56	1 610 210 244				
333/32/1	1 610 210 185	O-Ring			
651	1 613 001 009	Depth-Gauge			
653	2 607 336 819				
654	2 607 225 327				
802	1 617 000 6BG				
808	1 601 106 040				
812	1 617 000 665	Planetary Gear Train			