



BOSCH

Cordless Hammer Drill

RHH180 | 3 611 J04 310

Table of Content

Spare parts list.....	2
Illustration - Type.....	4

Cordless Hammer Drill | RHH180 | 3 611 J04 310

Spare parts list

Item	Part Number	Description	Illustration
1	1 615 104 063	Housing Section	1
3	1 610 499 067	Centering Sleeve	1
4	1 607 233 376	Electronics Module	1
5	1 609 280 477	Compression Spring	1
9	1 611 110 Z86	Manufacturer's nameplate	1
10	1 611 110 Z87	Manufacturer's nameplate	1
11	1 611 110 Z85	Warning Plate	1
16	1 610 102 637	Supporting Disc 12x38x0,5	1
17	1 611 015 062	Sealing Frame	1
18	1 610 290 116	Seal Ring	1
21	1 617 000 667	Hammer Pipe	1
21/23	1 616 317 084	Cylindrical Gear	1
21/31	1 614 601 053	Retaining ring	1
21/34	1 610 508 051	Rubber Bushing	1
21/37	1 610 551 008	Holding Plate	1
21/39	1 604 601 02U	Retaining ring	1
21/40	1 613 100 019	Straight Pin DIN6325-2,5x12-RIKO	1
21/41	1 610 102 072	Ratchet Disc	1
21/46	1 614 630 003	Compression Spring	1
21/47	1 610 905 039	groove ball bearing	1
21/48	1 614 601 054	Retaining ring	1
21/50	1 600 A00 FL3	Thrust Ring	1
21/60	1 610 190 054	Support Disc	1
24	1 607 000 D10	Jack Shaft	1
32	1 612 026 114	Switch Button	1
43	1 610 499 080	Protection Sleeve	1
44	1 610 508 052	Protective Cap	1
51	1 613 231 014	Shift Plate	1
52	1 614 690 005	Coiled Spring	1
53	1 619 P00 828	Pressure Disc	1
54	1 613 100 033	Guide Rod	1
59	1 610 102 045	Friction Washer 1,0 MM THICK	1
70	1 903 230 013	Ball DIN 5401-Ø7MM-III-ST	1
71	1 613 435 036	Torx Oval-Head Screw 35x16	1
72	2 603 490 017	Torx Oval-Head Screw 3x10	1

Cordless Hammer Drill | RHH180 | 3 611 J04 310

Spare parts list

Item	Part Number	Description	Illustration
83	2 603 100 056	Damping rubber	1
84	1 613 231 029	Switch Slide	1
87	1 614 601 077	Spring retaining ring	1
90	1 600 A00 071	Lens	1
326/26	1 618 700 083	Hammer Piston	1
326/29	1 613 100 034	Piston Pin	1
326/38	1 610 100 016	Guide Disc	1
326/56	1 610 210 186	O-Ring 13,0x3,0 MM	1
333/32/1	1 610 210 185	O-Ring 16,5x2,0 MM	1
802	1 617 000 6BG	DC motor 18V	1
808	1 601 11A 3H5	Nameplate	1
812	1 617 000 665	Planetary Gear Train	1
820	1 617 000 6BH	Intermediate Flange	1
827	1 617 000 669	Striker	1
828	1 613 124 084	Striker Pin	1
833	1 617 000 6BJ	Clamp Handle	1
844	1 617 000 6D3	Protection Sleeve	1
891	1 609 280 478	Contact retainer	1
120	1 602 025 08X	Auxiliary Handle	2
120/120	1 602 025 07H	Auxiliary Handle	2
120/124	1 611 316 021	Clamping Band Ø50 MM	2
120/125	1 613 490 002	T-Head Bolt M8x40 MM	2
120/802	1 617 000 475	Support clamp	2
651	1 613 001 009	Depth-Gauge SW 6x210 MM	2
653	2 607 336 819	Battery Pack USA BAT620 18V 4,0Ah	2
654	2 607 225 927	Charger USA BC 1880 CV 13,3-18V/120V	2

Illustration - Type - E

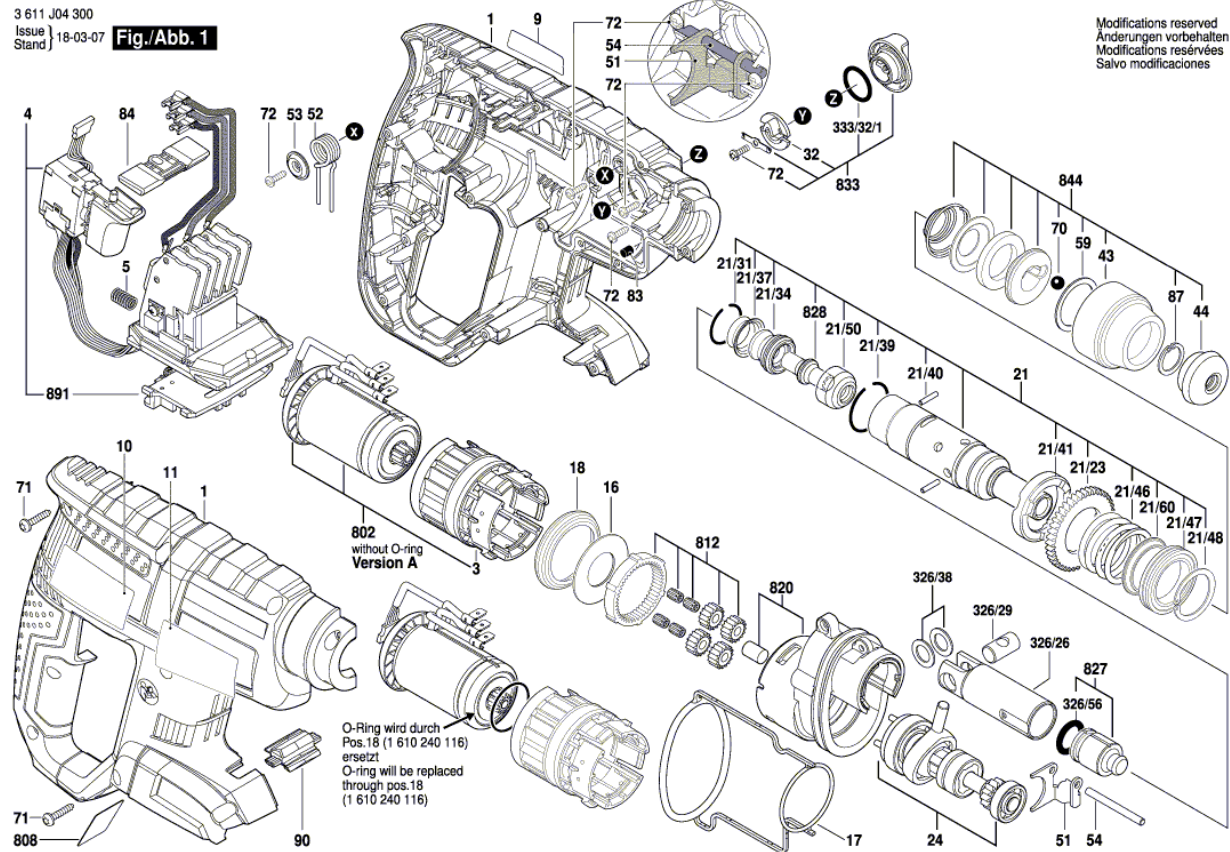
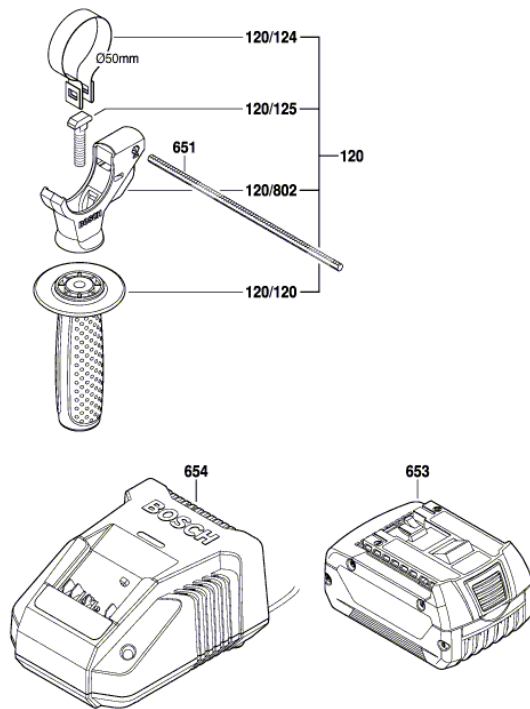


Illustration - Type - E

3 611 J04 300
Issue |
Stand | 12-07-02 **Fig./Abb. 2**



Modifications reserved
Änderungen vorbehalten
Modifications réservées
Salvo modificaciones