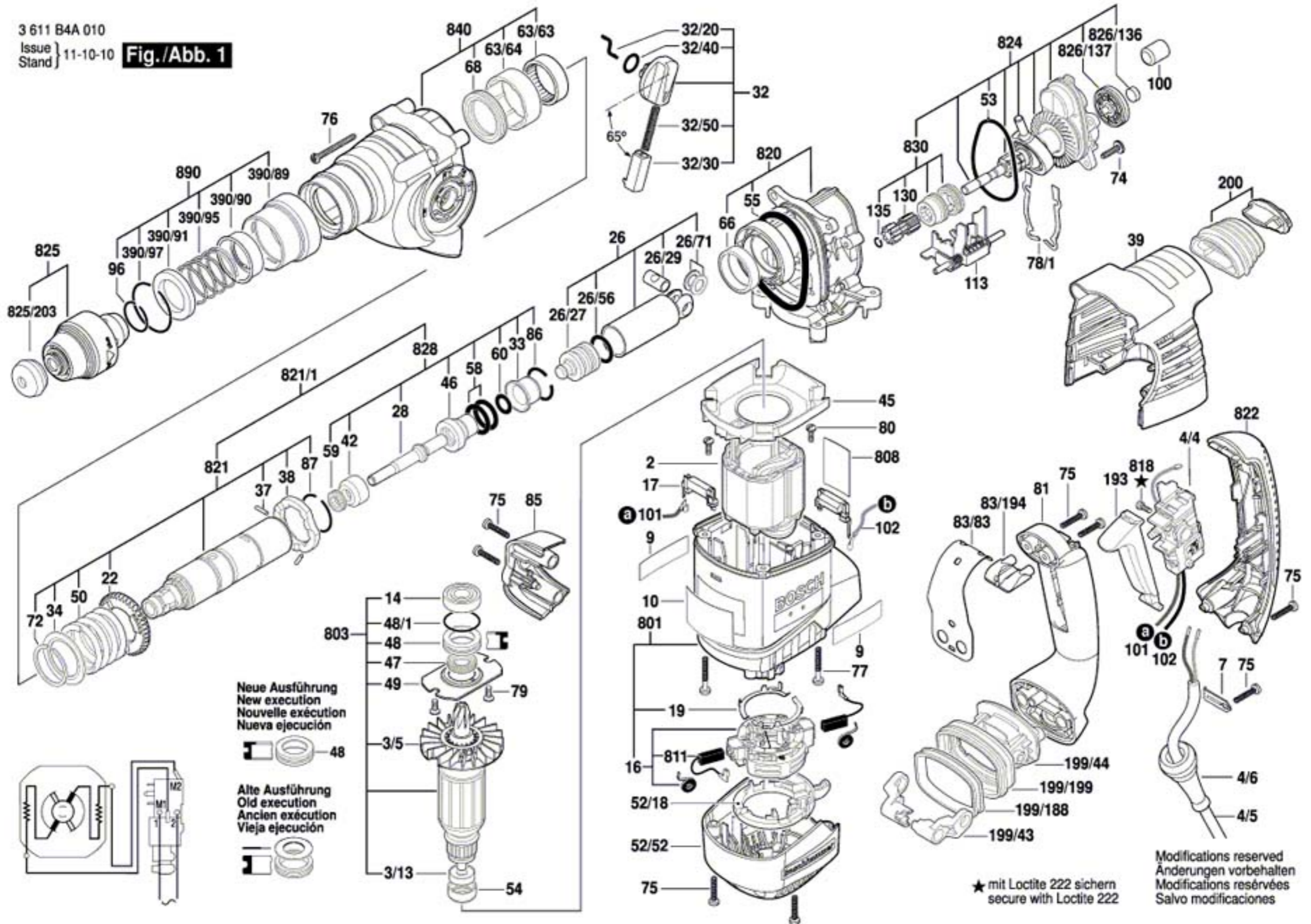


3 611 B4A 010

Issue } 11-10-10  
Stand }

**Fig./Abb. 1**



3 611 B4A 010

Issue }  
Stand } 11-10-10

**Fig./Abb. 2**

