



BOSCH

Cordless Hammer Drill

RH328VC-36 | 3 611 J06 011

Table of Content

Spare parts list.....	2
Illustration - Type.....	5

Cordless Hammer Drill | RH328VC-36 | 3 611 J06 011

Spare parts list

Item	Part Number	Description	Illustration
1	1 605 108 2G8	Housing Section	1
2	1 607 022 672	DC motor	1
4	1 600 A00 A4B	Electronics Module	1
6	1 617 000 A5F	Drive pinion	1
6/14	1 610 905 044	groove ball bearing	1
6/47	1 610 283 047	Rotary shaft lip seal	1
6/48	1 610 290 102	Bearing Ring	1
6/48/1	1 610 210 208	O-Ring 24,0x2,0 MM	1
6/49	1 615 700 044	End Shield	1
6/6	1 616 610 157	Fan	1
6/7	1 600 A01 143	Drive pinion	1
9	1 611 11C 036	Manufacturer's nameplate	1
10	6 082 942 7VX	Warning Plate	1
11	1 611 11C 037	Reference Plate	1
17	1 600 A00 1HK	Bearing Ring	1
18	1 600 A00 1FP	Motor Bearing	1
25/53	1 610 210 245	O-Ring	1
26	1 617 000 6A5	Hammer Piston	1
26/27	1 610 311 019	Striker	1
26/29	1 600 A01 TD0	Piston Pin	1
26/56	1 610 210 121	O-Ring 17,0x3,0 MM GREEN	1
26/71	1 610 100 016	Guide Disc	1
32	1 612 026 151	Clamp Handle BLACK	1
32/32/2	1 614 690 009	Driver Pin	1
32/32/3	1 612 026 035	Switch Button RED	1
32/32/4	1 610 210 046	O-Ring 10,5x2,7 MM	1
32/32/5	1 614 611 006	Compression Spring	1
40/63/63	1 600 A00 1CN	Needle bearing	1
40/63/64	1 610 390 069	Bushing	1
40/68	1 610 283 036	Rotary shaft lip seal	1
45	1 610 591 055	Air-Deflector Ring	1
55	1 610 210 206	Seal Ring 63,0x5,0 MM	1
66	1 610 202 021	Plain bearing	1
74	1 603 430 00V	Torx Oval-Head Screw	1
75	2 603 490 023	Torx Oval-Head Screw 4x20	1

Cordless Hammer Drill | RH328VC-36 | 3 611 J06 011

Spare parts list

Item	Part Number	Description	Illustration
76	2 603 490 027	Torx Oval-Head Screw 4x40	1
78/1	1 600 A00 3TA	Shim 0,3 MM	1
78/1	1 600 A00 4FU	Shim 0,15 MM	1
78/1	1 600 A00 4FV	Shim 0,45 MM	1
79	1 613 435 023	Thread-forming tap. Screw	1
84	1 600 A00 1E5	Switch Slide	1
88	1 600 A00 1CM	Push-Button	1
89	1 604 612 007	Compression Spring	1
90	1 600 A00 1E3	Lens	1
91	1 601 200 006	Leaf Spring	1
92	1 600 A00 1ED	Control Element	1
93	1 600 A00 22Y	Guide Piece	1
113	1 616 325 002	Switching Panel	1
130	1 616 333 049	Gear Sleeve	1
135	1 614 601 067	Retaining ring	1
136	1 610 205 017	Felt Disc	1
137	2 916 660 012	Spring retaining ring 30x1,2MM, DIN 472	1
200	1 600 A00 1CL	Bellows	1
203	1 610 508 047	Protective Cap	1
206	1 613 230 003	Ball Ø7,3 MM	1
207	1 614 601 027	Retaining ring	1
208	1 610 101 629	Retaining Washer	1
209	1 610 102 638	Friction Washer	1
211	2 916 540 012	Retaining ring DIN 7993-A22	1
321	1 617 000 6CA	Toolholder	1
321/22	1 616 312 004	Cylindrical Gear	1
321/28	1 613 124 098	Striker Pin	1
321/33	1 610 590 020	Holding Jacket	1
321/34	1 610 190 067	Supporting Disc	1
321/37	1 613 100 019	Straight Pin DIN6325-2,5x12-RIKO	1
321/38	1 600 A00 8AG	Catch Disk	1
321/42	1 610 102 084	Thrust Ring	1
321/46	1 610 390 068	Guide Bushing	1
321/50	1 614 615 008	Compression Spring	1
321/58	1 610 210 105	O-Ring 18,0x3,5 MM	1

Spare parts list

Item	Part Number	Description	Illustration
321/59	1 600 A00 9VC	Shaft Seal	1
321/60	1 610 210 209	O-Ring 9,5x3,5 MM	1
321/72	1 604 601 027	Retaining ring	1
321/86	1 614 601 034	Retaining ring	1
321/87	1 604 601 028	Retaining ring A22 DIN 7993	1
808	1 601 11A 3H9	Nameplate	1
820	1 617 000 A5J	Intermediate Flange	1
821	1 617 000 6C9	Tool Holding Fixture	1
824	1 617 000 A5K	Jack Shaft	1
825	1 617 000 6CB	Tool Holding Fixture	1
828	1 617 000 697	Striker Pin	1
830	1 617 000 698	Gear Sleeve	1
840	1 617 000 699	Impact Mechanism Housing BLACK	1
120	1 602 025 08Y	Auxiliary Handle	2
120/120	1 602 025 07H	Auxiliary Handle	2
120/124	1 611 316 021	Clamping Band Ø50 MM	2
120/125	1 613 490 001	T-Head Bolt M8x80 MM	2
120/802	1 617 000 685	Support clamp	2
651	1 613 001 009	Depth-Gauge SW 6x210 MM	2
653	2 607 336 891	Slide-In Accu Package BAT838 36V 4,0Ah	2
654	2 607 225 905	Fast Charger USA/CND GAL 3680 CV 120/14,4-36V	2
661	1 615 430 010	Grease Tube 30 ML	2

Illustration - Type - E

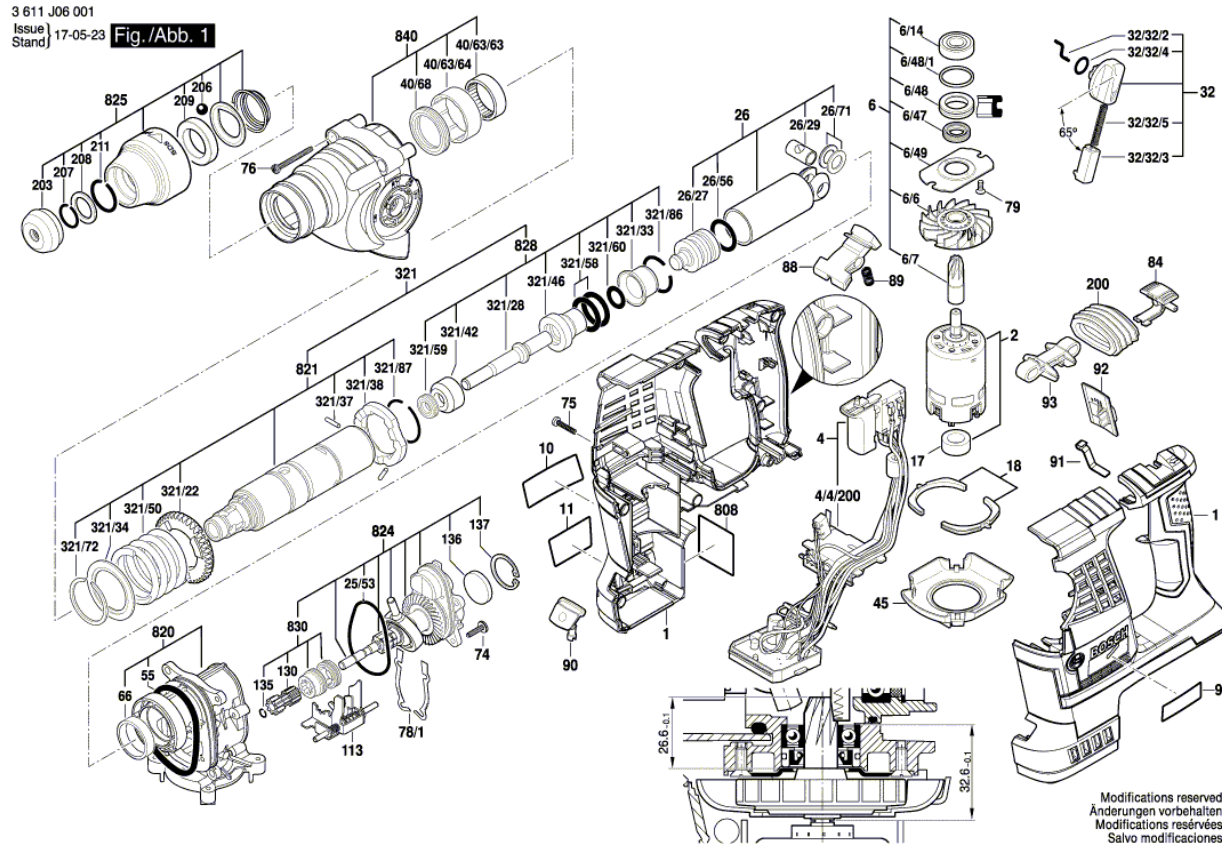
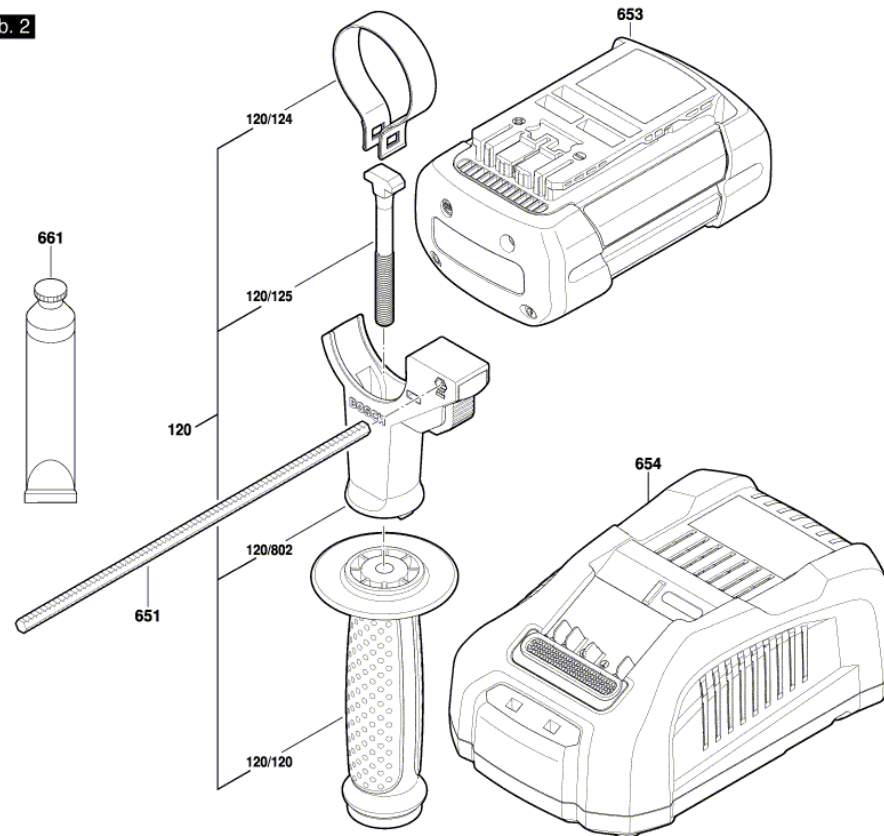


Illustration - Type - E

3 611 J06 001
Issue | 17-05-23
Stand | **Fig./Abb. 2**



Modifications reserved
Änderungen vorbehalten
Modifications réservées
Salvo modificaciones