



BOSCH

Rotary Hammer

RH328VC | 3 611 B3A 012

Table of Content

Spare parts list.....	2
Illustration - Type.....	6

Spare parts list

Item	Part Number	Description	Illustration
2	1 614 220 120	Field 110-120V	1
3/13	1 610 905 032	groove ball bearing 7x19x6	1
3/5	1 616 610 104	Fan	1
4/101	1 614 490 015	Connecting Cable	1
4/102	1 614 490 016	Connecting Cable	1
4/4	1 607 200 30R	Switch	1
4/5	2 604 460 239	Power supply cord USA/CDN 2,70m 2 x 0,82 SJ18/2	1
4/6	1 600 703 034	Grommet Ø7,3-Ø8,6x66 MM	1
7	1 601 302 017	Fastening Clamp	1
9	1 611 110 Z77	Manufacturer's nameplate RH328VC	1
10	1 611 110 Z44	Warning Plate	1
14	1 610 905 044	groove ball bearing	1
16	1 614 336 064	Brush Plate	1
17	1 600 A00 32J	Adapter module	1
19	1 611 329 024	Switch Contact	1
22	1 616 312 004	Cylindrical Gear	1
26	1 617 000 6A5	Hammer Piston	1
26/27	1 610 311 019	Striker	1
26/29	1 600 A01 TD0	Piston Pin	1
26/56	1 610 210 121	O-Ring 17,0x3,0 MM GREEN	1
26/71	1 610 100 016	Guide Disc	1
28	1 613 124 098	Striker Pin	1
32	1 612 026 151	Clamp Handle BLACK	1
32/20	1 614 690 009	Driver Pin	1
32/30	1 612 026 035	Switch Button RED	1
32/40	1 610 210 046	O-Ring 10,5x2,7 MM	1
32/50	1 614 611 006	Compression Spring	1
33	1 610 590 020	Holding Jacket	1
34	1 610 190 067	Supporting Disc	1
37	1 613 100 019	Straight Pin DIN6325-2,5x12-RIKO	1
38	1 600 A00 8AG	Catch Disk	1
39	1 615 808 102	Gear Cover BLUE	1
42	1 610 102 084	Thrust Ring	1
45	1 610 591 046	Air-Deflector Ring	1

Rotary Hammer | RH328VC | 3 611 B3A 012

Spare parts list				
Item	Part Number	Description		Illustration
46	1 610 390 068	Guide Bushing		1
47	1 610 283 047	Rotary shaft lip seal		1
48	1 610 290 102	Bearing Ring		1
48/1	1 610 210 208	O-Ring	24,0x2,0 MM	1
49	1 615 700 044	End Shield		1
50	1 614 615 008	Compression Spring		1
52/18	1 610 290 098	Clutch Sleeve		1
52/52	1 615 108 154	Cover	BLACK	1
53	1 610 210 245	O-Ring		1
54	1 600 502 023	Intermediate Ring		1
55	1 610 210 206	Seal Ring	63,0x5,0 MM	1
58	1 610 210 105	O-Ring	18,0x3,5 MM	1
59	1 600 A00 9VC	Shaft Seal		1
60	1 610 210 209	O-Ring	9,5x3,5 MM	1
63/63	1 610 910 063	Needle bearing	∅30x∅37x12 MM	1
63/64	1 610 390 069	Bushing		1
66	1 610 202 021	Plain bearing		1
68	1 610 283 036	Rotary shaft lip seal		1
72	1 604 601 027	Retaining ring		1
74	1 603 430 00V	Torx Oval-Head Screw		1
75	2 603 490 023	Torx Oval-Head Screw	4x20	1
76	2 603 490 027	Torx Oval-Head Screw	4x40	1
77	1 613 490 017	Thread-forming tap. Screw	M4x30 DIN7500-1 T-20	1
78/1	1 600 A00 3TA	Shim	0,3 MM	1
78/1	1 600 A00 4FU	Shim	0,15 MM	1
78/1	1 600 A00 4FV	Shim	0,45 MM	1
79	1 613 435 023	Thread-forming tap. Screw		1
80	1 613 435 038	Lens Head Screw		1
81/193	1 612 026 126	Switch-Pawl	RED	1
81/80	1 615 133 033	Handle	BLUE	1
82	1 617 000 6AE	Handle Cover	BLACK	1
83/194	1 610 099 013	Screw Plate	BLACK	1
83/83	1 614 690 008	Leaf Spring		1
85	1 615 500 404	Cover		1

Rotary Hammer | RH328VC | 3 611 B3A 012

Spare parts list

Item	Part Number	Description	Illustration
86	1 614 601 034	Retaining ring	1
87	1 604 601 028	Retaining ring A22 DIN 7993	1
100	1 610 026 003	Damping rubber	1
113	1 616 325 002	Switching Panel	1
130	1 616 333 049	Gear Sleeve	1
135	1 614 601 067	Retaining ring	1
136	1 610 205 017	Felt Disc	1
137	2 916 660 012	Spring retaining ring 30x1,2MM, DIN 472	1
199/188	1 610 209 008	Grip-Spring Tensioning E	1
199/199	1 610 284 002	Bellows	1
199/43	1 612 099 002	Rocker Arm	1
199/44	1 614 611 025	Rocker Foot BLACK	1
200	1 610 284 007	Bellows	1
203	1 610 508 047	Protective Cap	1
206	1 613 230 003	Ball Ø7,3 MM	1
207	1 614 601 027	Retaining ring	1
208	1 610 101 629	Retaining Washer	1
209	1 610 102 089	Friction Washer	1
211	2 916 540 012	Retaining ring DIN 7993-A22	1
801	1 617 000 689	Motor Housing BLUE	1
803	1 617 000 6AW	Armature 110-120V	1
808	1 601 11A 3H5	Nameplate	1
811	1 617 000 525	Carbon-Brush Set 220 V / 127 V	1
818	2 603 410 001	Socket head cap screw M3x6,5-4.8	1
820	1 617 000 A5J	Intermediate Flange	1
821	1 617 000 692	Tool Holding Fixture	1
821/1	1 617 000 693	Tool Holding Fixture	1
824	1 617 000 A5K	Jack Shaft	1
825	1 617 000 695	Tool Holding Fixture	1
828	1 617 000 697	Striker Pin	1
830	1 617 000 698	Gear Sleeve	1
840	1 617 000 699	Impact Mechanism Housing BLACK	1
120	1 602 025 08Y	Auxiliary Handle	2
120/120	1 602 025 07H	Auxiliary Handle	2
120/124	1 611 316 021	Clamping Band Ø50 MM	2

Spare parts list

Item	Part Number	Description	Illustration
120/125	1 613 490 001	T-Head Bolt M8x80 MM	2
120/802	1 617 000 685	Support clamp	2
661	1 615 430 010	Grease Tube 30 ML	2
688	1 613 001 009	Depth-Gauge SW 6x210 MM	2
870	1 613 523 011	Drill Chuck Shank 1/2", SDS-Plus	2
870/2	2 603 421 207	Countersunk-Head Screw M6x27-KØ11 LEFTHAND THREADS	2
871	1 608 571 069	Chuck Ø1,5-13 MM, 1/2"	2
872	2 607 950 007	Chuck Wrench SG2	2
895	1 615 438 426	Lock for 1 615 438 395	2

Illustration - Type - E

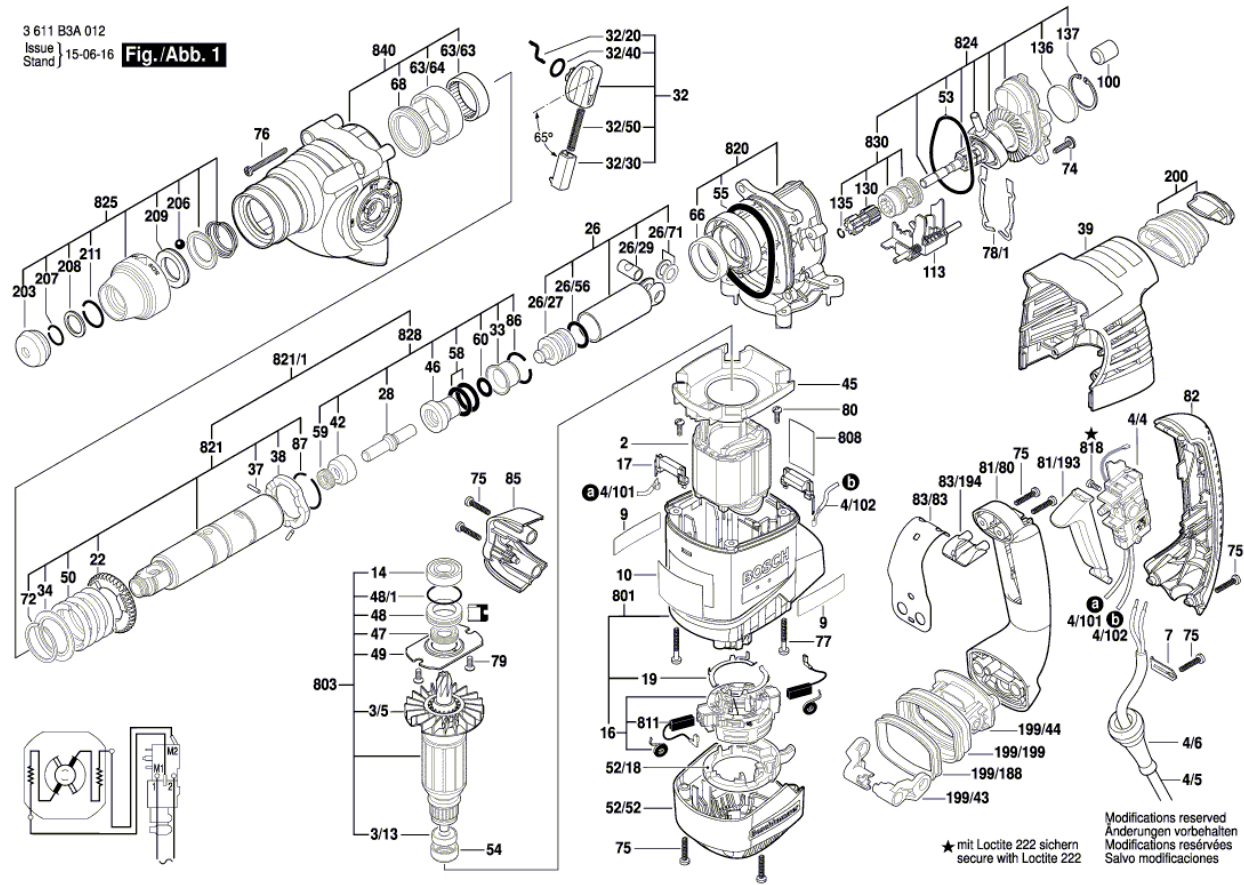
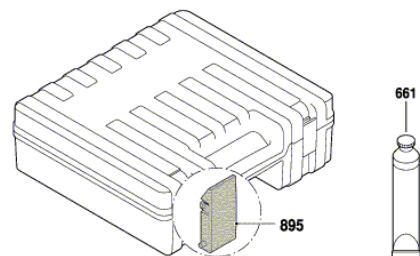
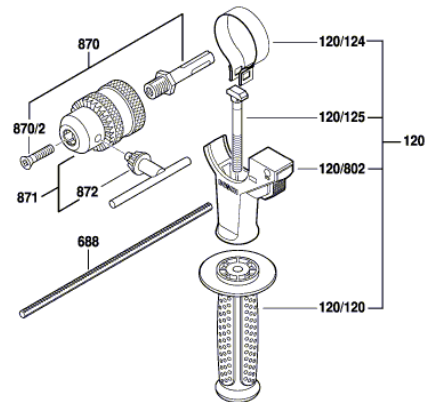


Illustration - Type - E

3 611 B3A 012
Issue |
Stand | 15-06-16 **Fig./Abb. 2**



Modifications reserved
Änderungen vorbehalten
Modifications réservées
Salvo modificaciones