

Rotary Hammer - 3 611 B3A 010 - RH328VC

www.powertools-aftersaleservice.com



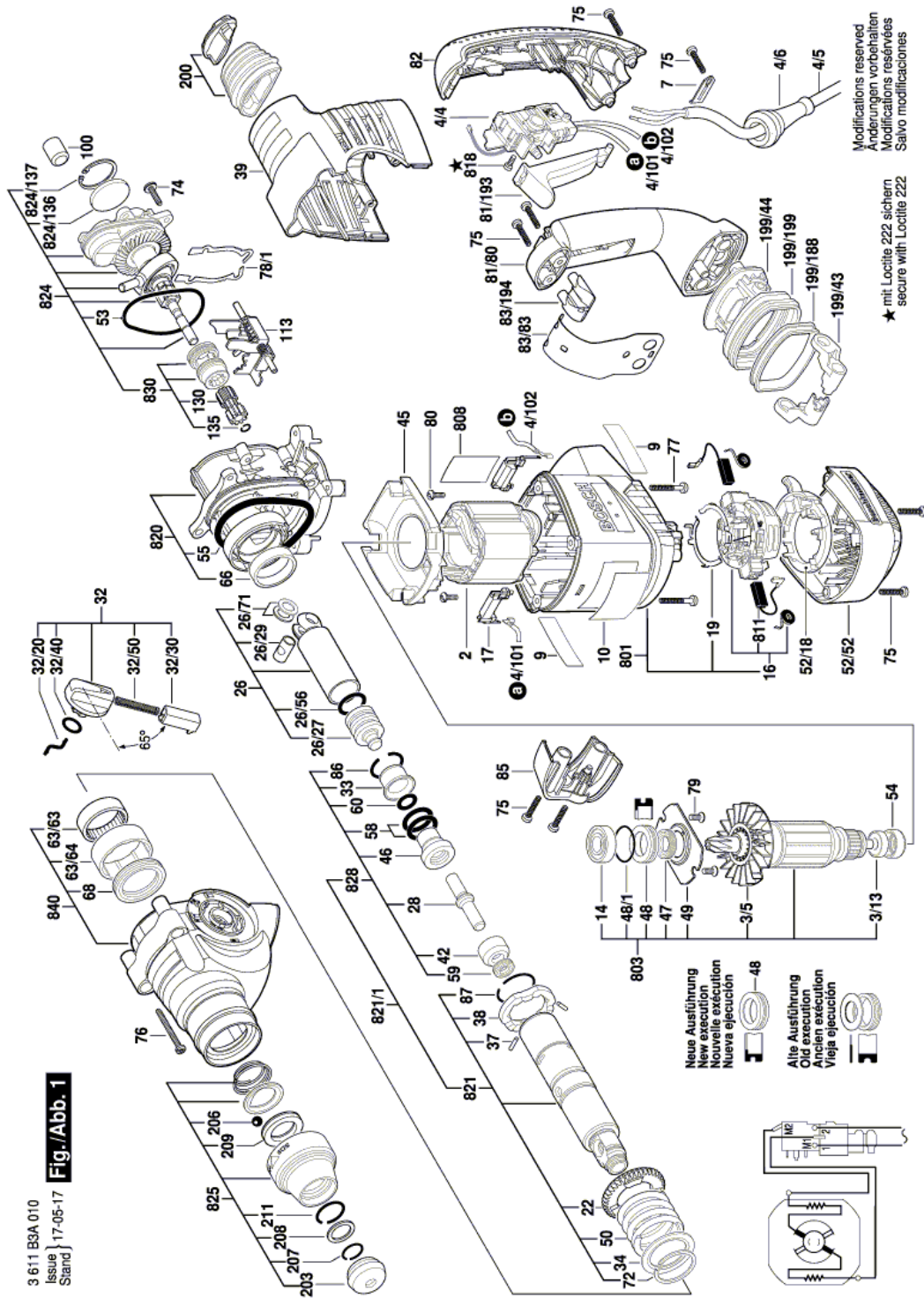
BOSCH

Item	Part Number	Description	Illustration	Price	Quantity	Price Group
2	1 614 220 120	Field 110-120V	1	-,-	1	28
3/5	1 616 610 104	Fan	1	-,-	1	21
3/13	1 610 905 032	groove ball bearing 7x19x6	1	-,-	1	17
4/4	1 607 200 30R	Switch	1	-,-	1	29
4/5	2 604 460 239	Power supply cord USA/CDN 2,70m 2 x 0,82 SJ18/2	1	-,-	1	27
4/6	1 600 703 034	Grommet Ø7,3-Ø8,6x66 MM	1	-,-	1	13
4/101	1 614 490 015	Connecting Cable	1	-,-	1	14
4/102	1 614 490 016	Connecting Cable	1	-,-	1	14
7	1 601 302 017	Fastening Clamp	1	-,-	1	10
9	1 611 110 Z77	Manufacturer's nameplate RH328VC	1	-,-	2	13
10	1 611 110 Z44	Warning Plate	1	-,-	1	13
14	1 610 905 044	groove ball bearing	1	-,-	1	21
16	1 614 336 064	Brush Plate	1	-,-	1	29
17	1 600 A00 32J	Adapter module	1	-,-	2	11
19	1 611 329 024	Switch Contact	1	-,-	2	11
22	1 616 312 004	Cylindrical Gear	1	-,-	1	24
26	1 617 000 6A5	Hammer Piston	1	-,-	1	38
26/27	1 610 311 019	Striker	1	-,-	1	29
26/29	1 613 105 020	Piston Pin	1	-,-	1	17
26/56	1 610 210 121	O-Ring 17,0x3,0 MM GREEN	1	-,-	1	13
26/71	1 610 100 016	Guide Disc	1	-,-	2	11
28	1 613 124 098	Striker Pin	1	-,-	1	29
32	1 612 026 151	Clamp Handle BLACK	1	-,-	1	26
32/20	1 614 690 009	Driver Pin	1	-,-	1	15
32/30	1 612 026 035	Switch Button RED	1	-,-	1	11
32/40	1 610 210 046	O-Ring 10,5x2,7 MM	1	-,-	1	11
32/50	1 614 611 006	Compression Spring	1	-,-	1	15
33	1 610 590 020	Holding Jacket	1	-,-	1	19
34	1 610 190 067	Supporting Disc	1	-,-	1	12
37	1 613 100 019	Straight Pin DIN6325-2,5x12-RIKO	1	-,-	3	11
38	1 600 A00 8AG	Catch Disk	1	-,-	1	15
39	1 615 808 102	Gear Cover BLUE	1	-,-	1	25
42	1 610 102 084	Thrust Ring	1	-,-	1	21

Item	Part Number	Description	Illustration	Price	Quantity	Price Group
45	1 610 591 046	Air-Deflector Ring	1	-,-	1	12
46	1 610 390 068	Guide Bushing	1	-,-	1	27
47	1 610 283 047	Rotary shaft lip seal	1	-,-	1	24
48	1 610 290 102	Bearing Ring	1	-,-	1	19
48/1	1 610 210 208	O-Ring 24,0x2,0 MM	1	-,-	1	11
49	1 615 700 044	End Shield	1	-,-	1	12
50	1 614 615 008	Compression Spring	1	-,-	1	18
52/18	1 610 290 098	Clutch Sleeve	1	-,-	1	16
52/52	1 615 108 154	Cover BLACK	1	-,-	1	22
53	1 610 210 245	O-Ring	1	-,-	1	14
54	1 600 502 023	Intermediate Ring	1	-,-	1	12
55	1 610 210 206	Seal Ring 63,0x5,0 MM	1	-,-	1	18
58	1 610 210 105	O-Ring 18,0x3,5 MM	1	-,-	2	15
59	1 600 A00 9VC	Shaft Seal	1	-,-	1	14
60	1 610 210 209	O-Ring 9,5x3,5 MM	1	-,-	1	11
63/63	1 610 910 063	Needle bearing Ø30xØ37x12 MM	1	-,-	1	18
63/64	1 610 390 069	Bushing	1	-,-	1	12
66	1 610 202 021	Plain bearing	1	-,-	1	13
68	1 610 283 036	Rotary shaft lip seal	1	-,-	1	20
72	1 604 601 027	Retaining ring	1	-,-	1	10
74	1 613 435 037	Thread-forming tap. Screw	1	-,-	4	11
75	2 603 490 023	Torx Oval-Head Screw 4x20	1	-,-	9	10
76	2 603 490 027	Torx Oval-Head Screw 4x40	1	-,-	4	10
77	1 613 490 017	Thread-forming tap. Screw M4x30 DIN7500-1 T-20	1	-,-	4	11
78/1	1 610 102 086	Shim 0,3mm	1	-,-	1	12
78/1	1 610 102 087	Shim 0,15mm	1	-,-	1	12
78/1	1 610 102 090	Shim 0,45mm	1	-,-	1	12
79	1 613 435 023	Thread-forming tap. Screw	1	-,-	2	10
80	1 613 435 038	Lens Head Screw	1	-,-	2	10
81/80	1 615 133 033	Handle BLUE	1	-,-	1	23
81/193	1 612 026 126	Switch-Pawl RED	1	-,-	1	13
82	1 617 000 6AE	Handle Cover BLACK	1	-,-	1	24
83/83	1 614 690 008	Leaf Spring	1	-,-	1	18
83/194	1 610 099 013	Screw Plate BLACK	1	-,-	1	12
85	1 615 500 404	Cover	1	-,-	1	14
86	1 614 601 034	Retaining ring	1	-,-	1	12
87	1 604 601 028	Retaining ring A22 DIN 7993	1	-,-	1	10
100	1 610 026 003	Damping rubber	1	-,-	1	10
113	1 616 325 002	Switching Panel	1	-,-	1	24
120	1 602 025 08Y	Auxiliary Handle	2	-,-	1	30
120/120	1 602 025 07H	Auxiliary Handle	2	-,-	1	23
120/124	1 611 316 021	Clamping Band Ø50 MM	2	-,-	1	14
120/125	1 613 490 001	T-Head Bolt M8x80 MM	2	-,-	1	21
120/802	1 617 000 685	Support clamp	2	-,-	1	17
130	1 616 333 049	Gear Sleeve	1	-,-	1	28
135	1 614 601 067	Retaining ring	1	-,-	1	11
199/43	1 612 099 002	Rocker Arm	1	-,-	2	13
199/44	1 614 611 025	Rocker Foot BLACK	1	-,-	1	14
199/188	1 610 209 008	Grip-Spring Tensioning E	1	-,-	1	15
199/199	1 610 284 002	Bellows	1	-,-	1	18
200	1 610 284 007	Bellows	1	-,-	1	18
203	1 610 508 047	Protective Cap	1	-,-	1	12
206	1 613 230 003	Ball Ø7,3 MM	1	-,-	1	11

Item	Part Number	Description	Illustration	Price	Quantity	Price Group
207	1 614 601 027	Retaining ring	1	-,-	1	10
208	1 610 101 629	Retaining Washer	1	-,-	1	10
209	1 610 102 089	Friction Washer	1	-,-	1	14
211	2 916 540 012	Retaining ring DIN 7993-A22	1	-,-	1	13
661	1 615 430 010	Grease Tube 30 ML	2	-,-	1	18
688	1 613 001 009	Depth-Gauge SW 6x210 MM	2	-,-	1	15
801	1 617 000 689	Motor Housing BLUE	1	-,-	1	38
803	1 617 000 6AW	Armature 110-120V	1	-,-	1	45
808	1 601 11A 3H5	Nameplate	1	-,-	1	13
811	1 617 000 525	Carbon-Brush Set	1	-,-	1	23
818	2 603 410 001	Socket head cap screw M3x6,5-4.8	1	-,-	2	11
820	1 617 000 691	Intermediate Flange	1	-,-	1	35
821	1 617 000 692	Tool Holding Fixture	1	-,-	1	43
821/1	1 617 000 693	Tool Holding Fixture	1	-,-	1	46
824	1 617 000 A38	Jack Shaft	1	-,-	1	43
824/136	1 610 205 017	Felt Disc	1	-,-	1	10
824/137	2 916 660 012	Spring retaining ring 30x1,2MM, DIN 472	1	-,-	1	11
825	1 617 000 695	Tool Holding Fixture	1	-,-	1	27
828	1 617 000 697	Striker Pin	1	-,-	1	38
830	1 617 000 698	Gear Sleeve	1	-,-	1	33
840	1 617 000 699	Impact Mechanism Housing BLACK	1	-,-	1	39
870	1 613 523 011	Drill Chuck Shank 1/2", SDS-Plus	2	-,-	1	30
870/2	2 603 421 207	Countersunk-Head Screw M6x27-KØ11 LEFTHAND THREADS	2	-,-	1	11
871	1 608 571 069	Chuck Ø1,5-13 MM, 1/2"	2	-,-	1	32
872	2 607 950 007	Chuck Wrench SG2	2	-,-	1	19
895	1 615 438 426	Lock for 1 615 438 395	2	-,-	1	19

Illustration - Type E



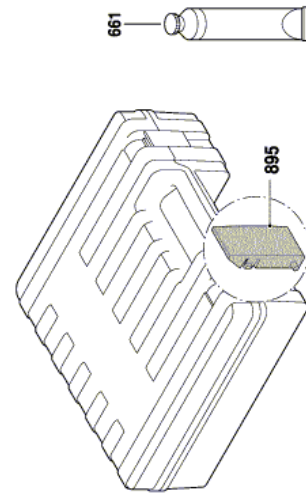
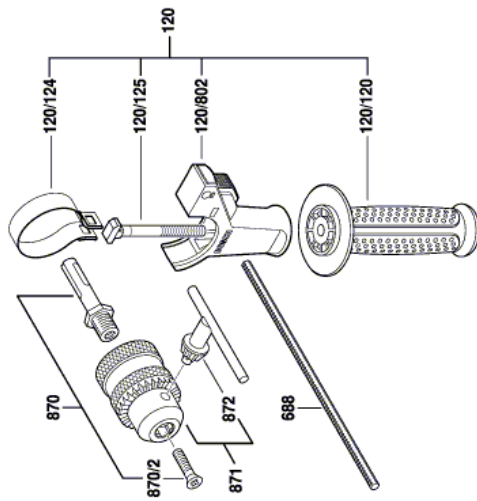
3 611 B3A 010
Issue | 17-05-17
Stand

Fig./Abb. 1

Illustration - Type E

3 611 B3A 010
Issue 13-10-11
Stand

Fig./Abb. 2



Modifications reserved
Änderungen vorbehalten
Modificacions reservées
Salvo modificaciones

Information subject to change without further notice.