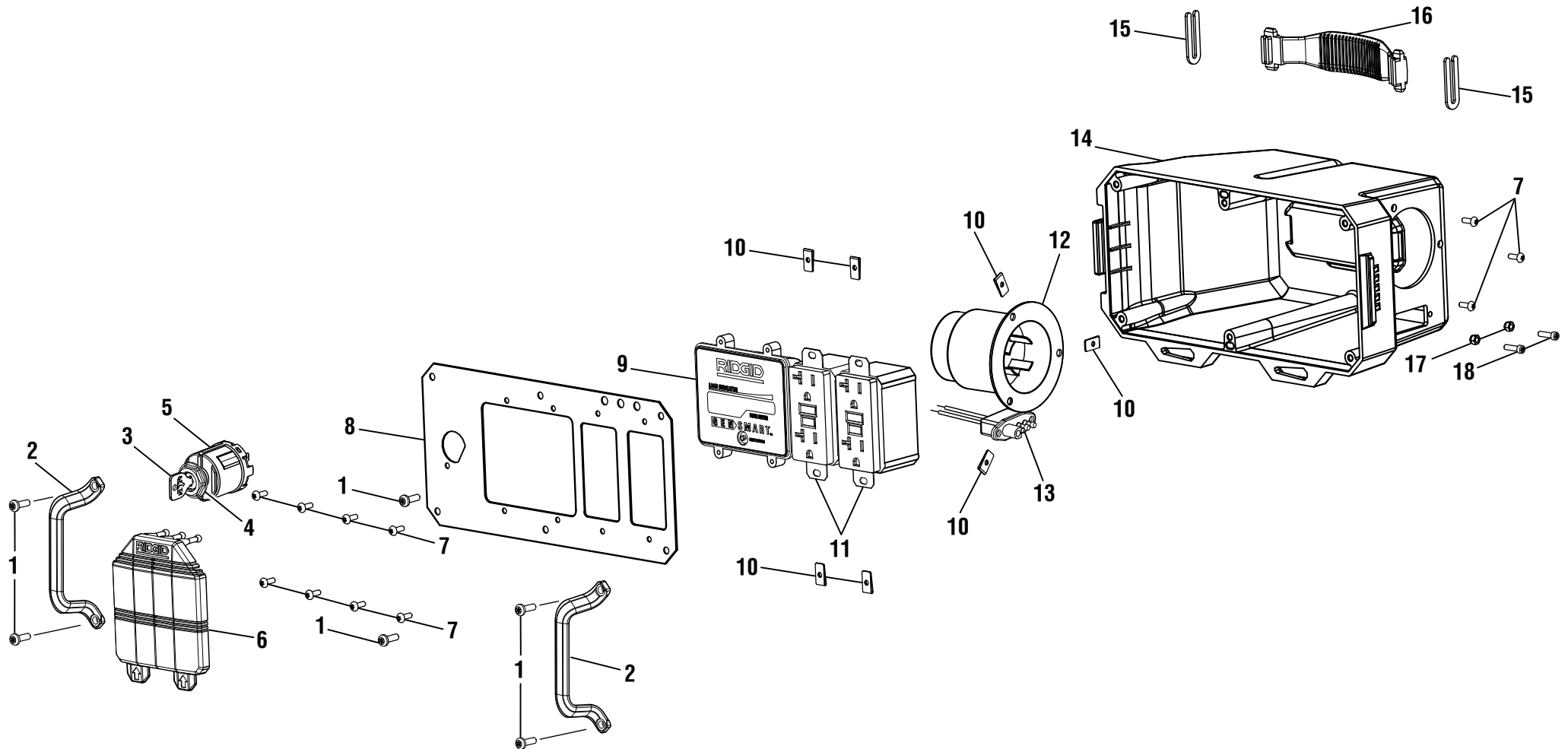




RD8000/RD80011

KEY	P/N	DESCRIPTION	QTY	KEY	P/N	DESCRIPTION	QTY	KEY	P/N	DESCRIPTION	QTY
1	561383003	Grommet (16 mm)	1	39	518932002	End Cap (35 mm)	2	78	310662005	Cord Wrap	1
2	290429002	Stationary Receptacle Box (RD8000)	1	40	661596001	Screw (10-24 x 3/4 in., T25, Torx Pan Hd.)	4	79	290426002	Extension Cord (25 ft., AC/DC)	1
	290429007	Stationary Receptacle Box (RD80011)	1	41	660899002	Screw (8-18 x 1/2 in.)	5	80	310712001	Handle Lock Pin	1
3	290429005	Remote Receptacle Box (Electric GFCI)	1	42	660591006	Bolt (5/16-18 x 1-1/2 in., Hex Hd.)	4	81	308640002	Bungee Cord	1
4	519815001	Receptacle Box Cover (RD8000)	1	43	870271001	Fuse (10 amp)	1	82	290418003	Battery Cable (Red)	1
	519815002	Receptacle Box Cover (RD80011)	1	44	308681003	Battery Hold Down Strap	1	83	290419003	Battery Cable (Black)	1
5	678145002	Hex Nut (5/16-18 in.)	5	45	660599002	Bolt (5/16-24 x 5/8 in.)	2	84	661595001	Screw (10-24 x 3/8 in., Hex Hd.)	2
6	638678002	Lock Washer (5/16 in.)	4	46	940872001	E85 Label	1	85	678033001	Flange Hex Nut (10-24)	2
7	570356001	Vibration Isolator	4	47	661503004	Bolt (1/4-20 x 1-1/4 in.)	2	86	678408006	Fuel Line Clamp (1/2 in.)	6
8	Note A	Engine (Subaru EX40 Electric Start)	1	48	940605003	Battery Label	1	87	678368002	Compression Spring	2
9	310711025	Fuel Tank (RD8000)	1	49	290404001	Ground Wire Assembly	1	88	290457001	Fuse Holder Assembly	1
	310711042	Fuel Tank (RD80011)	1	50	638704001	Washer Star (5/16 in.)	2	89	638147003	Spark Arrestor	1
10	308910001	Quick Release Pin	1	51	661502005	Bolt (5/16-18 x 3/4 in., Hex Hd.)	1	90	661306001	Screw (8-32 x 3/8 in.)	4
11	661555002	Screw (1/4-20 x 2.1 in., T30, Torx Hd.)	4	52	638703001	Ground Lug	1	91	660901005	Bolt (1/4-20 x 2 in., Hex Hd.)	4
12	519812001	Upper Slide Rail	2	53	678819001	Wire Clamp	1	92	308733001	Fuel Line Filter	1
13	678610002	Flange Nut (M4)	6	54	519812003	Slide Rail (Muffler Side)	1	93	570358015	Fuel Line Hose (1/4 in. ID x 3.5 in.)	1
14	661555001	Bolt (M4 x 12.5 mm, Soc. Button Hd.)	6	55	519813004	Starter Cover	1	94	570358014	Fuel Line Hose (1/4 in. ID x 12.6 in.)	1
15	678600002	Washer (M4)	10	56	290976001	Relay		95	308459002	Fuel Shut Off Valve (Inline 1/4 in. x 1/4-90)	1
16	570712001	Rubber Bumper	6	57	638706005	Foot (Non Muffler Side)	1	96	570358016	Fuel Line Hose (1/4 in. ID x 16 in.)	1
17	678259003	Lock Nut (5/16-18)	2	58	638702006	Bracket	1	97	310722004	Canister (RD80011)	1
18	638128002	Washer (5/16 in.)	3	59	310225001	Fuel Tank Bushing	4	98	678714003	Bracket (Carb. Canister, RD80011)	1
19	678522006	Pivot Pin (Handle)	2	60	519812002	Slide Rail (Non Muffler Side)	1	99	660502005	Bolt (5/16 x 3/4 in., Grade 5, RD80011)	2
20	308638013	Handle Assembly	1	61	940595002	Zero Gravity Label	2	100	519813003	Tube Cover (RD80011)	1
21	678146002	Hitch Pin	2	62	940680028	Hot Surface Warning Label	1	101	638710001	Rollover Valve (RD80011)	1
22	620505001	Axle	2	63	940707016	Danger Warning General Label	1	102	638711001	Bushing (Rollover Valve)	1
23	308451022	Wheel (12 in. x 4 in.)	2	64	940513008	Ground Warning Label	1	103	570358017	Purge Hose (RD80011)	1
24	638128001	Washer (5/8 in.)	2	65	940678070	Data Label (RD8000)	1	104	570358018	Rollover Hose (RD80011)	1
25	308509002	Battery Box	1		940678106	Data Label (RD8000G)	1	105	900333012	Cable Tie (18.6 in., RD80011)	1
26	310222009	Frame Assembly	1		940678079	Data Label (RD80011)	1	106	638128006	Handle Spacer (5 mm)	1
27	638706004	Foot (Muffler Side)	1	66	940758005	Pull Pin Release Label	1	107	661503005	Bolt (1/4-20 x 1 in., Hex Hd.)	4
28	570554001	Rubber Foot	2	67	940617046	Quick Start Label	1	108	638678003	Lock Washer (1/4-20)	4
29	638387002	Washer (1/4 in.)	18	68	940515017	CPSC Label	1	109	678681003	Cap Nut (1/4-20)	2
30	678016006	Lock Nut (1/4-20)	15	69	940708007	Engine Oil Label	1	110	660901006	Bolt (1/4-20 x 48.5 mm, T30, Torx Hd.)	2
31	660901003	Screw (1/4-20 x 1 in., T27, Torx Hd.)	8	70	940971068	Fuel Hangtag Label	1	111	940639002	Starter Cover Label	1
32	660900002	Screw (1/4-15 x 1.5 in., Torx Pan Hd.)	12	71	940513002	Ground Icon Label	1	112	638497012	Heat Shield	1
33	309322005	Muffler	1	72	940596001	Running Watts Label	1	113	660481010	Screw (M6 x 20 mm, Hex Hd.)	1
34	310227012	Generator Head	1	73	940686044	Starting Watts Label	1	114	660481007	Screw (M6 x 25 mm, Hex Hd.)	4
35	591084001	Fuel Cap	1	74	940654088	Combustion Warning Label	1				
36	638497011	Heat Shield	1	75	940819002	Cord Wrap Label	1	Not Shown:			
37	750400001	Battery (12 Volt)	1	76	940597001	Gensmart Instruction Label	1	987000528	Operator's Manual	1	
38	638634002	Compression Latch	1	77	940937004	Fuel Valve Label	1				

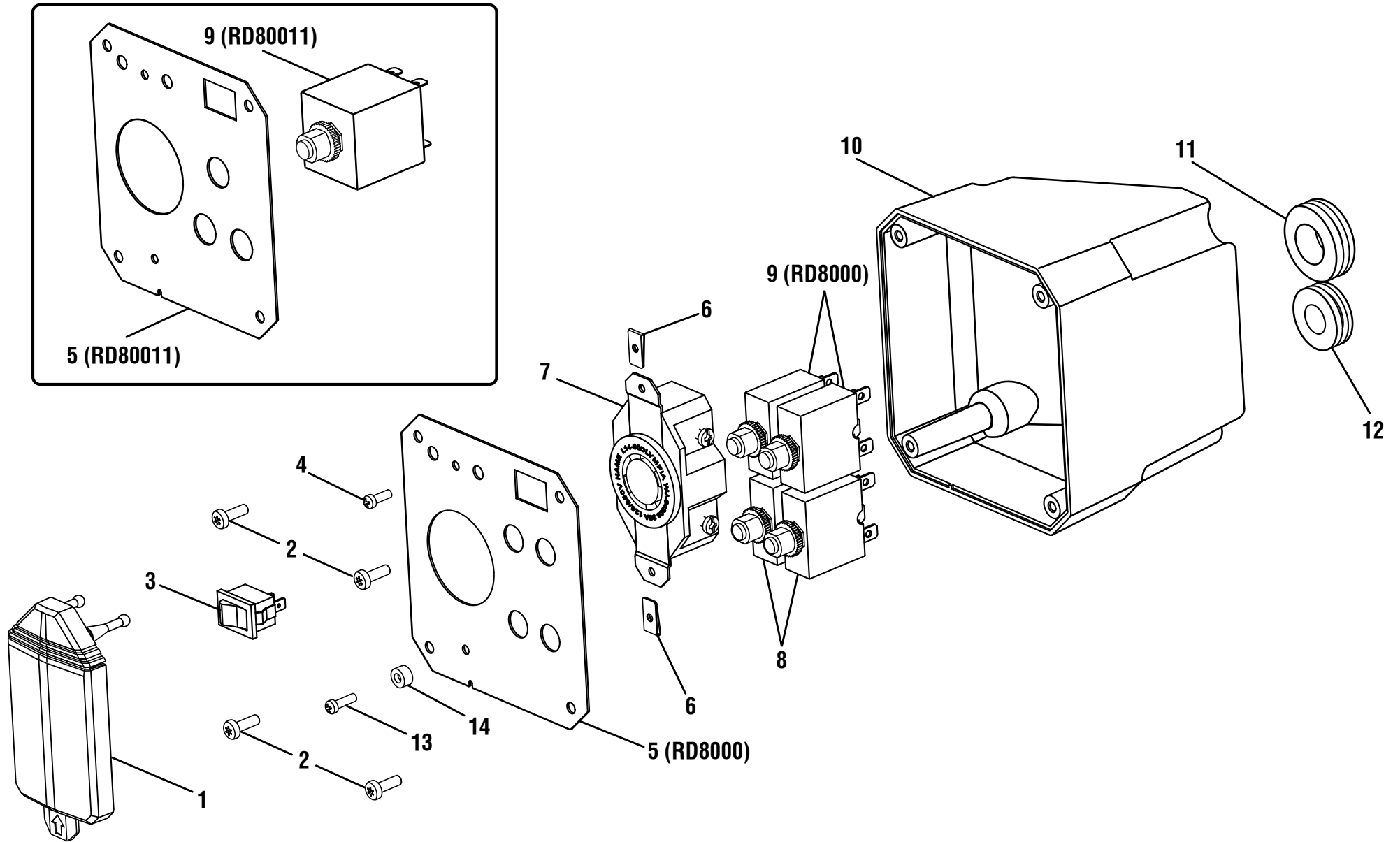




RD8000/RD80011

Figure B/ Figura B

KEY	P/N	DESCRIPTION	QTY	PIÈCE RÉF.	DESCRIPTION	QTÉ	REF. N/P	DESCRIPCIÓN	CANT.
1	660899003	Screw (8-18 x 3/4 in. Torx Hd.).....	6	1 660899003	Vis (8-18 x 3/4 po, empreinte à six pans).....	6	1 660899003	Tornillo (8-18 x 3/4 pulg., cabeza de torx).....	6
2	638701004	Handle (Remote Control Panel).....	2	2 638701004	Poignée (Panneau de commande à distance).....	2	2 638701004	Mango (panel de control remoto).....	2
3	678288002	Switch Key	1	3 678288002	Clé de Commutateur.....	1	3 678288002	Llave del interruptor	1
4	678692001	Switch Key Nut.....	1	4 678692001	Écrou de clé d'interrupteur.....	1	4 678692001	Tuerca de la llave del interruptor.....	1
5	270290001	Switch.....	1	5 270290001	Commutateur	1	5 270290001	Interruptor.....	1
6	570409001	Outlet Cover	1	6 570409001	Couvercle de prise	1	6 570409001	Cubierta de salida	1
7	660901004	Screw (6-20 x 3/8 in. Torx Hd.).....	11	7 660901004	Vis (6-20 x 3/8 po, empreinte à six pans)	11	7 660901004	Tornillo (6-20 x 3/8 pulg., cabeza de torx)	11
8	638700008	Cover Plate (Remote Control Panel)	1	8 638700008	Couverture (Panneau de commande à distance)	1	8 638700008	Placa Tapa (Panel del control remoto).....	1
9	290432004	GenSmart™ Monitoring System	1	9 290432004	Système de surveillance GenSmart™.....	1	9 290432004	Sistema de monitoreo GenSmart™	1
10	678244002	Speed Nut (6-18).....	7	10 678244002	Écrou rapide (6-18).....	7	10 678244002	Tuerca de apriete rápido (6-18).....	7
11	290400010	20 Amp Duplex GFCI Receptacle (120 Volts AC).....	2	11 290400010	Prise double de disjoncteur de fuite à la terre de 20 A (120 V c.a.).....	2	11 290400010	Receptáculo doble de 20 A con GFCI (120/ V corr. alt.)	2
12	290430001	20 Amp Inlet (120/240 Volts AC)	1	12 290430001	Prise de 20 A, 120/240 V c.a.....	1	12 290430001	Entrada de 20 A (120/240 V corr. alt.)	1
13	290431001	Pigtail (DC to Remote Box)	1	13 290431001	Natte (CC vers le boîtier distant)	1	13 290431001	Coleta (corr. cont. a caja remota)	1
14	519813002	Control Panel Box (Remote).....	1	14 519813002	Boîtier du panneau de contrôle (distant)	1	14 519813002	Caja del panel de control (remota)	1
15	678815002	Clip	2	15 678815002	Agrafe.....	2	15 678815002	Sujetador.....	2
16	570372001	Carrying Handle	1	16 570372001	Poignée de transport.....	1	16 570372001	Mango de acarreo	1
17	678720001	Lock Nut (6-32).....	2	17 678720001	Écrou de blocage (6-32).....	2	17 678720001	Contratuerca (6-32)	2
18	661597001	Screw (6-32 x 1/2 in. Torx Hd.).....	2	18 661597001	Vis (6-32 x 1/2 po, empreinte à six pans)	2	18 661597001	Tornillo (6-32 x 1/2 pulg., cabeza de torx)	2
19	290428002	Wire Kit (Remote Box)	1	19 290428002	Ensemble de fils (Boîtier distant).....	1	19 290428002	Juego de alambre (caja alejada).....	1

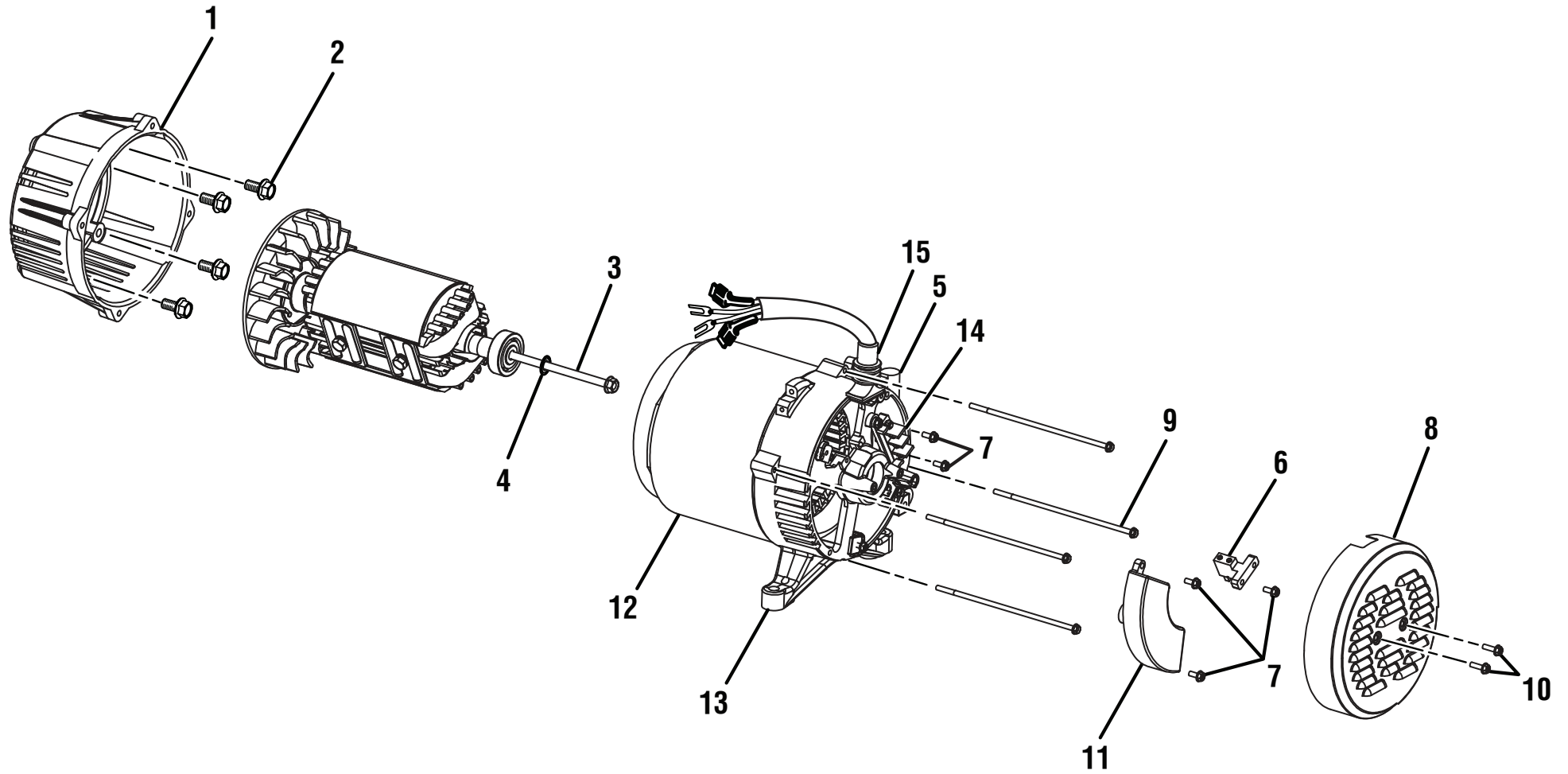




RD8000/RD80011

Figure C/ Figura C

KEY	P/N	DESCRIPTION	QTY	PIÈCE RÉF.	DESCRIPTION	QTÉ	REF. N/P	DESCRIPCIÓN	CANT.
1	570409002	Receptacle Cover.....	1	570409002	Dispositif de protection de la prise	1	1 570409002	Tapa del receptáculo	1
2	660899002	Screw (8-18 x 1/2 in. Torx Hd.).....	4	660899002	Vis (8-18 x 1/2 po, empreinte à six pans)	4	2 660899002	Tornillo (8-18 x 1/2 pulg., cabeza de torx)	4
3	760700002	Switch (On/Off).....	1	760700002	Interrupteur marche/arrêt	1	3 760700002	Interruptor de encendido/apagado	1
4	660901004	Screw (6-20 x 3/8 in. Torx Hd.).....	1	660901004	Vis (6-20 x 3/8 po, empreinte à six pans)	1	4 660901004	Tornillo (6-20 x 3/8 pulg., cabeza de torx)	1
5	678700005	Cover Plate (Stationary Control Panel, RD8000).....	1	678700005	Couverture (panneau de commande stationnaire, RD8000).....	1	5 678700005	Placa tapa (panel de control fijo, RD8000).....	1
	638700010	Cover Plate (Stationary Control Panel, RD80011).....	1	638700010	Couverture (panneau de commande stationnaire, RD80011).....	1	5 638700010	Placa tapa (panel de control fijo, RD80011).....	1
6	678244002	Speed Nut (6-18).....	2	678244002	Écrou rapide (6-18).....	2	6 678244002	Tuerca de apriete rápido (6-18).....	2
7	290401001	30 Amp Twist Lock Receptacle (120/240 Volts AC).....	1	290401001	Prise à verrouillage par rotation 30 A (120/240 V c.a.)	1	7 290401001	Receptáculo de fijación por giro de 30 A (120/240 V corr. alt.)	1
8	780350001	20 Amp Circuit Breaker (120 Volts AC).....	2	780350001	20 Ampères disjoncteur (120 V c.a.).....	2	8 780350001	20 Amperios disyuntor (120 V corr. alt.)	2
9	780351001	30 Amp Circuit Breaker (120 Volts AC, RD8000).....	2	780351001	30 Ampères disjoncteur (120 V c.a., RD8000).....	2	9 780351001	30 Amperios disyuntor (120 V corr. alt., RD8000)	2
	780351004	30 Amp Circuit Breaker (240 Volts AC, RD80011).....	1	780351004	30 Ampères disjoncteur (240 V c.a., RD80011).....	1	9 780351004	30 Amperios disyuntor (240 V corr. alt., RD80011).....	1
10	519813001	Control Panel Box (Stationary).....	1	519813001	Boîtier du panneau de contrôle (fixe)	1	10 519813001	Caja del panel de control (estacionaria)	1
11	561383003	Grommet (17.5 mm)	1	561383003	Oeillet (17,5 mm)	1	11 561383003	Ojal (17,5 mm)	1
12	561383002	Grommet (12.7 mm)	1	561383002	Oeillet (12,7 mm)	1	12 561383002	Ojal (12,7 mm)	1
13	660961002	Screw (6-20 x 1/2 in., Torx Hd.).....	1	660961002	Vis (6-20 x 1/2 po, empreinte à six pans)	1	13 660961002	Tornillo (6-20 x 1/2 pulg., cabeza de torx)	1
14	638128005	Spacer (4 mm).....	1	638128005	Entretoise (4 mm)	1	14 638128005	Separador (4 mm).....	1
15	290428003	Wire Kit (Stationary Box)	1	290428003	Ensemble de fils (Boîtier fixe)	1	15 290428003	Juego de alambre (caja estacionaria).....	1
16	290434001	Pigtail (Remote Box to Stationary Box, 120/240 Volts AC).....	1	290434001	Natte (du boîtier distant au boîtier fixe, 120/240 V c.a.)	1	16 290434001	Coleta (caja alejada a caja estacionaria (120/240 V corr. cont.).....	1
17	290434002	Pigtail (Generator Head).....	1	290434002	Natte (Tête de génératrice).....	1	17 290434002	Coleta (Cabezal del generador).....	1
18	290435002	Pigtail (DC to Engine)	1	290435002	Natte (CC vers le moteur).....	1	18 290435002	Coleta (corr. cont. a motor)	1





RD8000/RD80011

KEY	P/N	DESCRIPTION	QTY	PIÈCE RÉF.	DESCRIPTION	QTÉ	REF. N/P	DESCRIPCIÓN	CANT.
1	640331002	Adapter Housing (RD8000/RD80011)	1	640331002	Logement de l'adaptateur	1	640331002	Carcasa del adaptador.....	1
	640331005	Adapter Housing (RD8000G).....	1		(RD8000/RD80011)	1			
2	660596002	Bolt (3/8-16 x 1-1/4 in., Grade 5)	4	640331005	Logement de l'adaptateur (RD8000G)	1	2	Perno (3/8-16 x 1-1/4 pulg., de	
3	660596006	Bolt (5/16-24, RD8000/RD80011)	1	2	660596002	Boulon (3/8-16 x 1-1/4 po, Calibre 5).....	4	grado 5)	4
	661603008	Bolt (5/16-24, RD8000G).....	1	3	660596006	Boulon (5/16-24, RD8000/RD80011)	1	Perno (5/16-24, RD8000/RD80011)	1
4	638678002	Washer (5/16 in., RD8000/RD80011)	1	3	661603008	Boulon (5/16-24, RD8000G).....	1	Perno (5/16-24, RD8000G).....	1
	638623002	Washer (5/16 in., RD8000G).....	1	4	638678002	Rondelle frein (5/16 po, RD8000/RD80011) ...	1	Arandela de fijación (5/16 pulg.,	
5	310227012	Generator Head Assembly (Incl. Key		4	638623002	Rondelle frein (5/16 po, RD8000G)	1	RD8000/RD80011)	1
		Nos. 1 and 3-15, RD8000/RD80011)	1	5	310227012	Ensemble moteur de la générateur		Arandela de fijación (5/16 pulg., RD8000G) ...	1
	310227022	Generator Head Assembly (Incl. Key		5	310227012	(y compris clavettes no. 1 et 3-15,		Conjunto de cabezal de su generador	
		Nos. 1 and 3-15, RD8000G).....	1		310227022	RD8000/RD80011)	1	(incl. núm. de ref. 1 y 3-15,	
6	290441001	Brush Assembly (RD8000/RD80011)	1	310227022	Ensemble moteur de la générateur		310227022	RD8000/RD80011)	1
	290441005	Brush Assembly (RD8000G).....	1		(y compris clavettes no. 1 et 3-15,			Conjunto de cabezal de su generador	
7	661603002	Bolt (M5 x 16 mm, Hex Hd.).....	5	6	290441001	RD8000G).....	1	(incl. núm. de ref. 1 y 3-15, RD8000G).....	1
	660938012	Bolt (M5 x 16 mm, Hex Hd. RD8000G)	5	6	290441005	Ensemble de charbon (RD8000/RD80011)	1	Conjunto de la escobilla,	
8	678296002	Brush Cover (RD8000/RD80011)	1	7	661603002	Ensemble de charbon (RD8000G).....	1	RD8000/RD80011)	1
	678296004	Brush Cover (RD8000G).....	1	7	660938012	Boulon (M5 x 16 mm, à tête hex)	5	Conjunto de la escobilla (RD8000G)	1
9	661603003	Bolt (Stator, RD8000/RD80011)	4	8	678296002	Boulon (M5 x 16 mm, à tête hex RD8000G) ..	5	Perno (M5 x 16 mm, cabeza hex.)	5
	661603009	Bolt (Stator, RD8000G).....	4	8	678296004	Couvercle de balai, (RD8000/RD80011).....	1	Perno (M5 x 16 mm, cabeza hex. RD8000G).5	
10	661603001	Bolt (M5 x 10 mm).....	2	9	661603003	Couvercle de balai, (RD8000G).....	1	Tapa de la escobilla (RD8000/RD80011).....	1
	660938011	Bolt (M5 x 10 mm RD8000G)	2	9	661603009	Boulon (stator, RD8000/RD80011)	4	Tapa de la escobilla (RD8000G)	1
11	290439008	Automatic Voltage Regulator		10	661603001	Boulon (stator, RD8000G).....	4	Perno (Estátor, RD8000/RD80011).....	4
		(RD8000/RD80011)	1	10	660938011	Boulon (M5 x 10 mm).....	2	Perno (Estátor, RD8000G)	4
	290440008	Automatic Voltage Regulator (RD8000G).....	1	11	290439008	Boulon (M5 x 10 mm RD8000G)	2	Perno (M5 x 10 mm).....	2
12	638624002	Generator Head Cover (RD8000/RD80011) ...	1	11	290440008	Régulateur de tension automatique		Perno (M5 x 10 mm RD8000G)	2
	638624003	Generator Head Cover (RD8000G).....	1			(RD8000/RD80011)	1	Regulador automático de voltaje	
13	678865002	Bearing Housing (RD8000/RD80011).....	1			(RD8000G).....	1	(RD8000/RD80011)	1
	678865003	Bearing Housing (RD8000G)	1			Régulateur de tension automatique		Regulador automático de voltaje	
14	290602002	Terminal Block (RD8000/RD80011).....	1	12	638624002	Couverture de tête de générateur		(RD8000G).....	1
	290602003	Terminal Block (RD8000G)	1			(RD8000/RD80011)	1	Cubierta de la cabeza del generador	
15	570766002	Rubber Boot.....	1		638624003	Couverture de tête de générateur		(RD8000G).....	1
	570766004	Rubber Boot (RD8000G)	1	13	678865002	Logement de roulement		Cubierta de conjinete	
						(RD8000/RD80011)	1	(RD8000/RD80011)	1
					678865003	Logement de roulement (RD8000G).....	1	Cubierta de conjinete	
				14	290602002	Plaque à bornes (RD8000/RD80011)	1	(RD8000G).....	1
					290602003	Plaque à bornes (RD8000G).....	1	(RD8000G).....	1
				15	570766002	Gaine caoutchoutée	1	Bloque de terminales	
					570766004	Gaine caoutchoutée (RD8000G)	1	(RD8000/RD80011)	1
								Bloque de terminales (RD8000G).....	1
								Botas de goma.....	1
								Botas de goma (RD8000G)	1