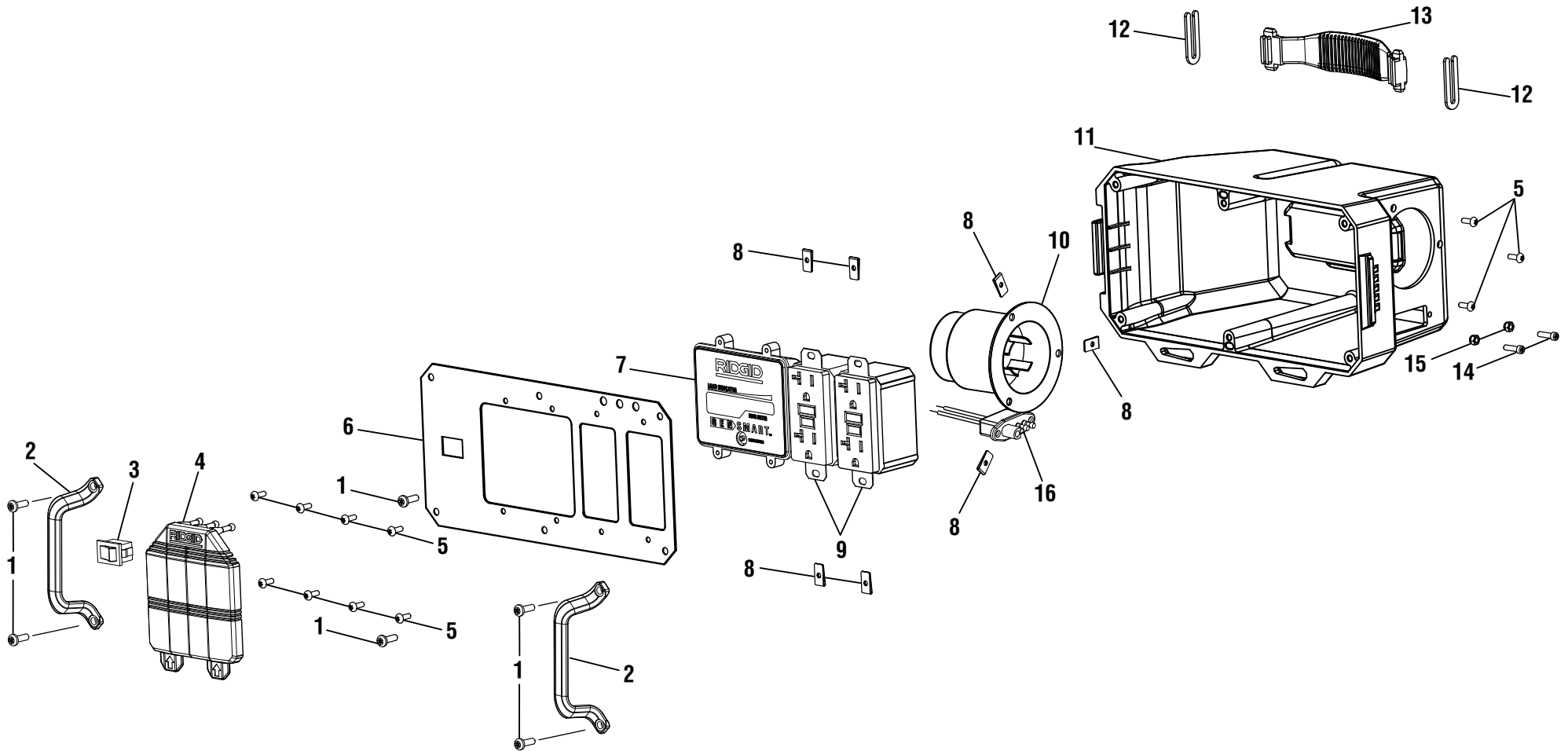




RD6800B/RD68011B

KEY	P/N	DESCRIPTION	QTY	KEY	P/N	DESCRIPTION	QTY	KEY	P/N	DESCRIPTION	QTY
1	561383003	Grommet (16 mm)	1	35	310720025	Fuel Cap (RD6800B/RD6800BG)	1	68	940686045	Starting Watts Label (RD6800B/RD68011B)..	1
2	290429002	Stationary Receptacle Box (RD6800B)	1		310720026	Fuel Cap, Carb (RD68011B/RD68011G).....	1	69	940654088	Combustion Warning Label (RD6800B/RD68011B)	1
	290429007	Stationary Receptacle Box (RD68011B)	1	36	638497011	Heat Shield	1				
3	290429006	Remote Receptacle Box (Electric GFCI)	1	37	519812002	Slide Rail (Non Muffler Side).....	1	70	940819002	Cord Wrap Label	1
4	519815001	Receptacle Box Cover	1	38	638634002	Compression Latch	1	71	940597001	Gensmart Instruction Label.....	1
5	678145002	Hex Nut (5/16-18).....	5	39	518932002	End Cap (35mm)	2	72	940937004	Fuel Valve Label	1
6	638678002	Lock Washer (5/16 in.).....	4	40	661596001	Screw (10-24 x 3/4 in., T25, Torx Pan Hd.)	4	73	290426002	Extension Cord (25 ft., AC/DC)	1
7	570356001	Vibration Isolator	4	41	660899002	Screw (8-18 x 1/2 in.)	5	74	310662005	Cord Wrap	1
8	Note A	Engine (Yamaha MZ360)	1	42	660591006	Bolt (5/16-18 x 1-1/2 in., Hex Hd.)	4	75	310712001	Handle Lock Pin.....	1
9	310711073	Fuel Tank (RD6800B).....	1	43	519812003	Slide Rail (Muffler Side)	1	76	308640002	Bungee Cord	1
	310711074	Fuel Tank (RD68011B).....	1	44	661503005	Screw (1/4-20 x 1 in. Hex Hd.).....	4	77	678408006	Fuel Line Clamp (1/2 in.).....	6
10	308910001	Quick Release Pin (RD6800B).....	1	45	660599002	Bolt (5/16-24 x 5/8 in.).....	2	78	638147003	Spark Arrestor	1
11	661555002	Screw (1/4-20 x 2.1 in., T30, Torx Hd.).....	1	46	940872001	E85 Label	1	79	661306001	Screw (8-32 x 3/8 in.)	4
12	519812001	Upper Slide Rail	2	47	661503004	Bolt (1/4-20 x 1-1/4 in.)	1	80	570358016	Fuel Line Hose (1/4 in. ID x 16 in.).....	1
13	678610002	Flange Nut (M4).....	6	48	660901006	Bolt (1/4-20 48.5 mm, T30, Torx Hd.).....	2	81	570358015	Fuel Line Hose (1/4 in. ID x 3.5 in.).....	1
14	661555001	Bolt (M4 x 12.5 mm Soc. Button Hd.)	6	49	290404001	Ground Wire Assembly.....	1	82	570358038	Fuel Line Hose (5 mm ID x 12.6 in.)	1
15	678600002	Washer (M4)	10	50	638704001	Washer Star (5/16 in.).....	2	83	308733001	Fuel Line Filter	1
16	570712001	Rubber Bumper.....	6	51	661502005	Bolt (5/16-18 x 3/4 in. Hex Hd.).....	1	84	308459002	Fuel Shut Off Valve (Inline 1/4 in. x 1/4-90).....	1
17	678259003	Lock Nut (5/16-18)	2	52	638703001	Ground Lug	1	85	310722004	Canister (RD68011B).....	1
18	638128002	Washer (5/16 in.)	3	53	310225001	Fuel Tank Bushing.....	4	86	678714003	Bracket (Carb. Canister, RD68011B).....	1
19	678522006	Pivot Pin (Handle).....	2	54	638702006	Bracket	1	87	660502005	Bolt (5/16-18 x 3/4 in., Grade 5, RD68011B)	2
20	308638013	Handle Assembly	1	55	638706005	Foot (Non Muffler Side)	1				
21	678146002	Hitch Pin.....	2	56	940595002	Zero Gravity Label.....	2	88	519813003	Tube Cover (RD68011B).....	1
22	620505001	Axle.....	2	57	940680028	Hot Surface Warning Label	1	89	310854001	Rollover Valve (RD68011B).....	1
23	308451022	Wheel (12 in. x 4 in.)	2	58	940707016	Danger Warning General Label (RD6800B/RD68011B)	1	90	638711002	Bushing (Rollover Valve).....	1
24	638128001	Washer (5/8 in.).....	2					91	570358017	Purge Hose (RD68011B)	1
25	678819001	Wire Clamp.....	1	59	940513008	Ground Warning Label	1	92	570358018	Rollover Hose (RD68011B).....	1
26	310222009	Frame Assembly.....	1	60	940678181	Data Label (RD6800B).....	1	93	900333012	Cable Tie (18.6 in., RD68011B)	1
27	638706004	Foot (Muffler Side).....	1		940678105	Data Label (RD6800G).....	1	94	638128006	Handle Spacer (4 mm).....	1
28	570554001	Rubber Foot	2		940678190	Data Label (RD68011B).....	1	95	661503005	Bolt (1/4-20 x 1 in. Hex Hd.).....	4
29	638387002	Washer (1/4 in.).....	16	61	940758005	Pull Pin Release Label.....	1	96	638678003	Lock Washer (1/4-20).....	4
30	678016006	Lock Nut (1/4-20)	12	62	940617047	Quick Start Label (RD6800B/RD68011B).....	1	97	678681003	Cap Nut (1/4-20).....	2
31	660901003	Screw (1/4-20 x 1 in., T27, Torx Hd.).....	8	63	940515017	CPSC Label (RD6800B/RD68011B).....	1				
32	660900002	Screw (1/4-15 x 1.5 in. Torx Pan Hd.)	12	64	940708007	Engine Oil Label	1				
33	309322002	Muffler	1	65	940971068	Fuel Hangtag Label (RD6800B/RD68011B) ...	1				
34	310227013	Generator Head (RD6800B/RD68011B).....	1	66	940513002	Ground Label.....	1				
	310227018	Generator Head (RD6800BG/RD68011B).....	1	67	940596002	Running Watts Label (RD6800B/RD68011B) .	1				
									Not Shown: 987000521	Operator's Manual	

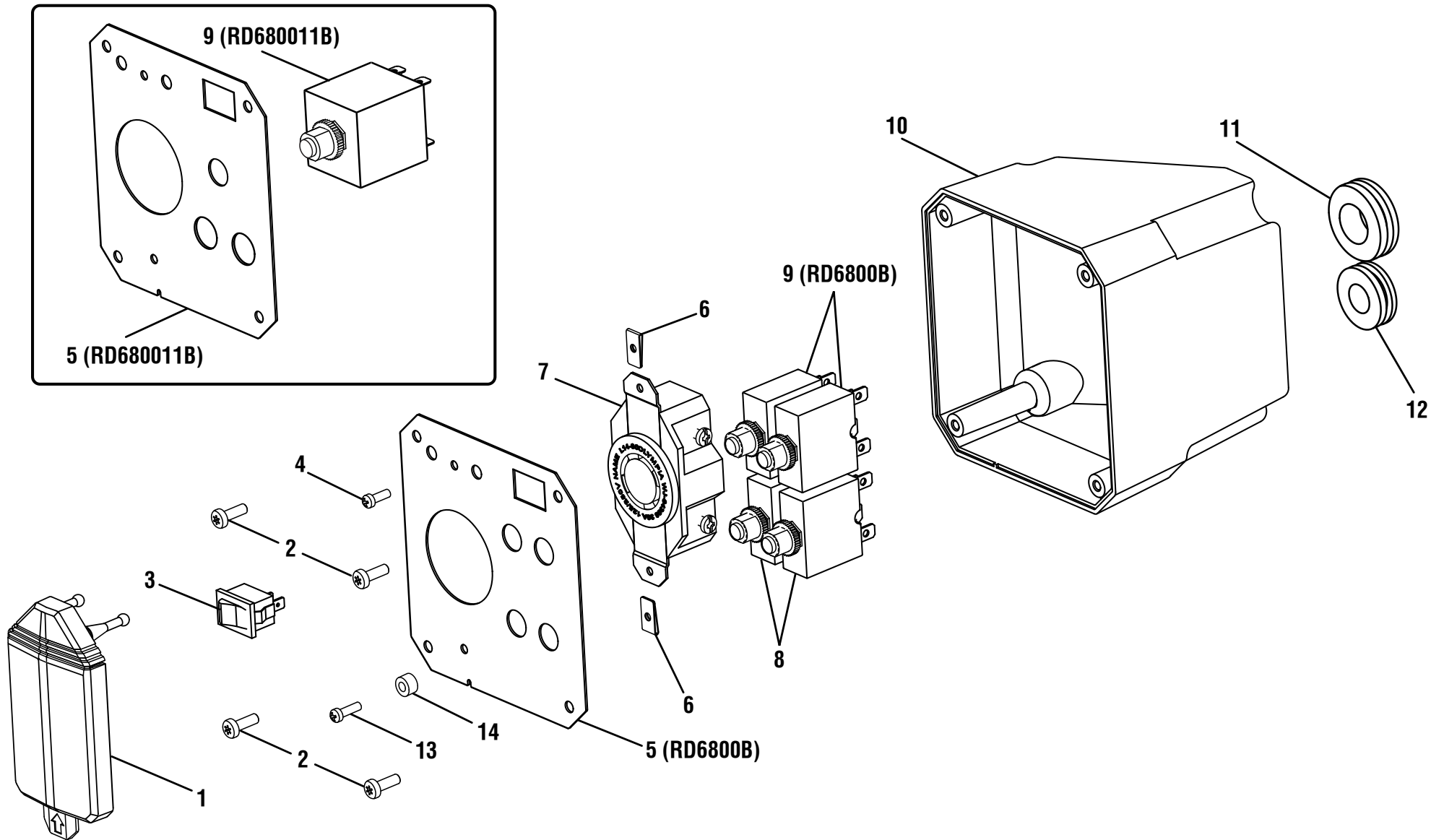




RD6800B/RD68011B

Figure B/ Figura B

KEY	P/N	DESCRIPTION	QTY	PIÈCE RÉF.	DESCRIPTION	QTÉ	REF. N/P	DESCRIPCIÓN	CANT.
1	660899003	Screw (8-18 x 3/4 in. Torx Hd.).....	6	1 660899003	Vis (8-18 x 3/4 po, empreinte à six pans)	6	1 660899003	Tornillo (8-18 x 3/4 pulg., cabeza de torx)	6
2	638701004	Handle (Remote Control Panel).....	2	2 638701004	Poignée (Panneau de commande à distance).....	2	2 638701004	Mango (Panel del control remoto)	2
3	760700002	Switch (On/Off).....	1	3 760700002	Interrupteur marche/arrêt	1	3 760700002	Interruptor de encendido/apagado	1
4	570409001	Outlet Cover	1	4 570409001	Couvercle de prise	1	4 570409001	Cubierta de salida	1
5	660901004	Screw (6-20 x 3/8 in. Torx Hd.).....	11	5 660901004	Vis (6-20 x 3/8 po, empreinte à six pans)	11	5 660901004	Tornillo (6-20 x 3/8 pulg., cabeza de torx)	11
6	638700009	Cover Plate (Remote Control Panel)	1	6 638700009	Couverture (Panneau de commande à distance).....	1	6 638700009	Placa Tapa (Panel del control remoto).....	1
7	290432002	GenSmart™ Monitoring System	1	7 290432002	Système de surveillance GenSmart™.....	1	7 290432002	Sistema de monitoreo GenSmart™	1
8	678244002	Speed Nut (6-18)	7	8 678244002	Écrou rapide (6-18).....	7	8 678244002	Tuerca de apriete rápido (6-18)	7
9	290400010	20 Amp Duplex GFCI Receptacle (120 Volts AC).....	2	9 290400010	Prise double de disjoncteur de fuite à la terre de 20 A (120 V c.a.).....	2	9 290400010	Receptáculo doble de 20 A con GFCI (120 V corr. alt.)	2
10	290430001	20 Amp Inlet (120/240 Volts AC)	1	10 290430001	Boîtier du panneau de contrôle (distant)	1	10 290430001	Entrada de 20 A (120/240 V corr. alt.)	1
11	519813002	Control Panel Box (Remote).....	1	11 519813002	Agrafe.....	2	11 519813002	Caja del panel de control (remota)	1
12	678815002	Clip	2	12 678815002	Poignée de transport.....	1	12 678815002	Sujetador	2
13	570372001	Carrying Handle	1	13 570372001	Vis (6-32 x 1/2 po, empreinte à six pans)	2	13 570372001	Mango de acarreo	1
14	661597001	Screw (6-32 x 1/2 in. Torx Hd.).....	2	14 661597001	Écrou de blocage (6-32).....	2	14 661597001	Tornillo (6-32 x 1/2 pulg., cabeza de torx)	2
15	678720001	Lock Nut (6-32).....	2	15 678720001	Natte (CC vers le boîtier distant)	1	15 678720001	Contratuerca (6-32)	2
16	290960001	Pigtail (DC to Remote Box)	1	16 290960001	Ensemble de fils (Boîtier distant).....	1	16 290960001	Coleta (corr. cont. a caja remota)	1
17	290428002	Wire Kit (Remote Box)	1	17 290428002			17 290428002	Juego de alambre (caja alejada).....	1

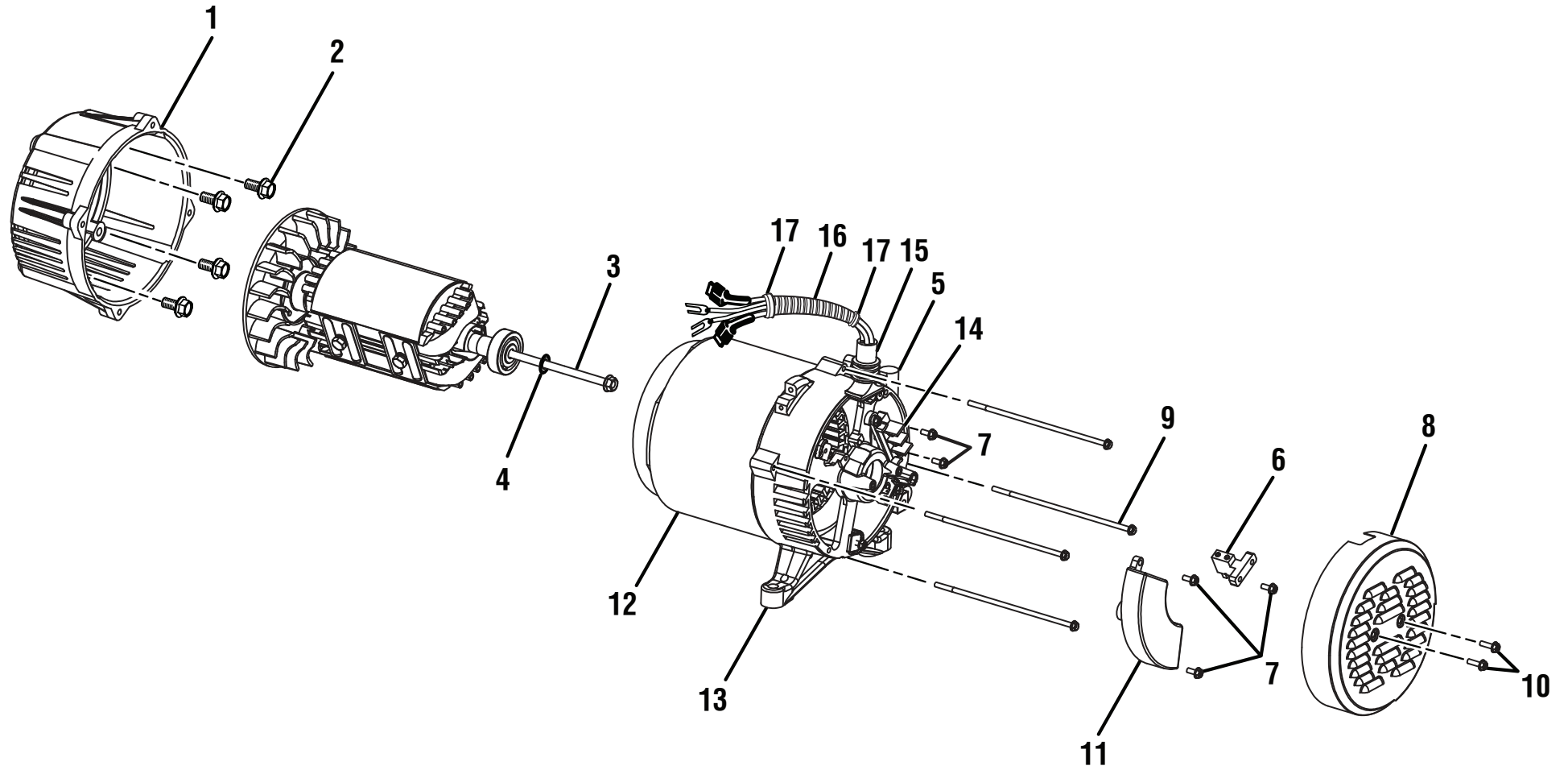




RD6800B/RD68011B

Figure C/ Figura C

KEY	P/N	DESCRIPTION	QTY	PIÈCE RÉF.	DESCRIPTION	QTÉ	REF. N/P	DESCRIPCIÓN	CANT.
1	570409002	Receptacle Cover.....	1	570409002	Dispositif de protection de la prise	1	1 570409002	Tapa del receptáculo	1
2	660899002	Screw (8-18 x 1/2 in. Torx Hd.).....	4	660899002	Vis (8-18 x 1/2 po, empreinte à six pans)	4	2 660899002	Tornillo (8-18 x 1/2 pulg., cabeza de torx)	4
3	760700002	Switch (On/Off).....	1	760700002	Interrupteur marche/arrêt	1	3 760700002	Interruptor de encendido/apagado	1
4	660901004	Screw (6-20 x 3/8 in. Torx Hd.).....	1	660901004	Vis (6-20 x 3/8 po, empreinte à six pans)	1	4 660901004	Tornillo (6-20 x 3/8 pulg., cabeza de torx)	1
5	638700005	Cover Plate (Stationary Control Panel) (RD6800B)	1	638700005	Couverture (panneau de commande stationnaire, RD6800B)	1	5 638700005	Placa tapa (panel de control fijo, RD6800B).....	1
	638700010	Cover Plate (Stationary Control Panel) (RD68011B)	1	638700010	Couverture (panneau de commande stationnaire, RD68011B)	1	638700010	Cover Plate (Stationary Control Panel, RD68011B).....	1
6	678244002	Speed Nut (6-18)	2	678244002	Écrou rapide (6-18).....	2	6 678244002	Tuerca de apriete rápido (6-18)	2
7	290401001	30 Amp Twist Lock Receptacle (120/240 Volts AC).....	1	290401001	Prise à verrouillage par rotation 30 A (120/240 V c.a.)	1	7 290401001	Receptáculo de fijación por giro de 30 A (120/240 V corr. alt.)	1
8	780350001	20 Amp Circuit Breaker (120 Volts AC)	2	780350001	20 Ampères disjoncteur (120 V c.a.).....	2	8 780350001	20 Amperios disyuntor (120 V corr. cont.)	2
9	780351001	30 Amp Circuit Breaker (120 Volts AC, RD6800B)	2	780351001	30 Ampères disjoncteur (120 V c.a., R6800B).....	2	9 780351001	30 Amperios disyuntor (120 V corr. cont., RD6800B).....	2
	780351004	30 Amp Circuit Breaker (240 Volts AC, RD68011B)	2	780351004	30 Ampères disjoncteur (240 V c.a., RD68011B).....	2	780351004	30 Amperios disyuntor (240 V corr. cont., RD68011B)	2
10	519813001	Control Panel Box (Stationary)	1	519813001	Le panneau de commande boîte (stationnaire).....	1	10 519813001	Panel de control caja (fija)	1
11	561383003	Grommet (17.5 mm)	1	561383003	Oeillet (17,5 mm)	1	11 561383003	Ojal (17,5 mm)	1
12	561383002	Grommet (12.7 mm)	1	561383002	Oeillet (12,7 mm)	1	12 561383002	Ojal (12,7 mm)	1
13	660961002	Screw (6-20 x 1/2 in., Torx Hd.).....	1	660961002	Vis (6-20 x 1/2 po, empreinte à six pans)	1	13 660961002	Tornillo (6-20 x 1/2 pulg., cabeza de torx)	1
14	638128005	Spacer (4 mm)	1	638128005	Entretoise (4 mm)	1	14 638128005	Separador (4 mm).....	1
15	290428003	Wire Kit (Stationary Box)	1	290428003	Ensemble de fils (Boîtier fixe)	1	15 290428003	Juego de alambre (caja estacionaria).....	1
16	290434001	Pigtail (Remote Box to Stationary Box) (120/240 Volts AC).....	1	290434001	Natte (du boîtier distant au boîtier fixe, 120/240 V c.a.)	1	16 290434001	Coleta (caja alejada a caja estacionaria (120/240 V corr. cont.).....	1
17	290434002	Pigtail (Generator Head, RD6800B/RD68011B).....	1	290434002	Natte (moteur de la générateur, RD6800B/RD68011B)	1	17 290434002	Coleta (cabezal del generador, RD6800B/RD68011B)	1
18	290435002	Pigtail (DC to Engine)	1	290435002	Natte (DC à moteur)	1	18 290435002	Coleta (corr. cont. al motor).....	1





RD6800B/RD68011B

KEY	P/N	DESCRIPTION	QTY	PIÈCE RÉF.	DESCRIPTION	QTÉ	REF. N/P	DESCRIPCIÓN	CANT.
1	640331002	Adaptor Housing (RD6800B/RD68011B).....	1	640331002	Logement de l'adaptateur (RD6800B/RD68011B)	1	640331002	Caracasa del adaptador (RD6800B/RD68011B)	1
	640331005	Adaptor Housing (RD6800G).....	1		Logement de l'adaptateur (RD6800G)	1	640331005	Caracasa del adaptador (RD6800G)	1
2	660596002	Bolt (3/8-18 x 1-1/4 in.)	4	640331005	Logement de l'adaptateur (RD6800G)	1	660596002	Perno (3/8-16 x 1-1/4 pulg.).....	4
3	660596007	Bolt (5/16-24).....	1	2	660596002	4	660596007	Perno (5/16-24)	1
4	638678002	Washer (5/16 in., RD6800B/RD68011B).....	1	3	660596007	1	638678002	Arandela de fijación (5/16 pulg., RD6800B/RD68011B)	1
	638623002	Washer (5/16 in., RD6800G/RDCA6800).....	1	4	638678002	1	638623002	Arandela de fijación (5/16 pulg., RD6800G) ...	1
5	310227013	Generator Head Assembly (Incl. Key Nos. 1 and 3-15, RD6800B/RD68011B)	1	5	310227013	1	310227013	Ensemble moteur de la générateur (y compris clavettes no. 1 et 3-15, RD6800B/RD68011B)	1
	310227018	Generator Head Assembly (Incl. Key Nos. 1 and 3-15, RD6800G)	1	5	310227013	1	310227018	Ensemble moteur de la générateur (y compris clavettes no. 1 et 3-15, RD6800B/RD68011B)	1
6	290441001	Brush Assembly (RD6800B/RD68011B)	1	310227018	Ensemble moteur de la générateur (y compris clavettes no. 1 et 3-15, RD6800G)	1	290441001	Conjunto de cabezal de su generador (incl. núm. de ref. 1 y 3-15, RD6800G).....	1
	290441005	Brush Assembly (RD6800G).....	1	6	290441001	1	290441005	Conjunto de la escobilla (RD6800B/RD68011B)	1
7	660938012	Bolt (M5 x 16 mm, Hex Hd.).....	5	6	290441005	1	660938012	Perno (M5 x 16 mm, cabeza hex.)	5
8	678296002	Brush Cover (RD6800B/RD68011B)	1	7	660938012	5	678296002	Tapa de la escobilla (RD6800B/RD68011B)...	1
	678296004	Brush Cover (RD6800G).....	1	8	678296002	1	678296004	Tapa de la escobilla (RD6800G)	1
9	660890002	Bolt (Stator)	4	7	660890002	4	660890002	Perno (estátor).....	4
10	660938011	Bolt (M5 x 10 mm).....	2	8	678296004	1	660938011	Perno (M5 x 10 mm).....	2
11	290440008	Automatic Voltage Regulator (RD6800B/RD68011B\RD6800G).....	11	9	660890002	4	290440008	Regulador automático de voltaje (RD6800B/RD68011B\RD6800G).....	1
12	638624002	Generator Head Cover (RD6800B/RD68011B)	1	10	660938011	2	638624002	Cubierta de la cabeza del generador (RD6800B/RD68011B)	1
	638624003	Generator Head Cover (RD6800G).....	1	11	290440008	1	638624003	Cubierta de la cabeza del generador (RD6800G).....	1
13	678865002	Bearing Housing (RD6800B/RD68011B).....	1	12	638624002	1	678865002	Cubierta de conjinete (RD6800B/RD68011B)	1
	678865003	Bearing Housing (RD6800G)	1		638624003	1	678865003	Cubierta de conjinete (RD6800G)	1
14	290602002	Terminal Block (RD6800B/RD68011B).....	1	13	678865002	1	290602002	Bloque de terminales (RD6800B/RD68011B)	1
	290602003	Terminal Block (RD6800G)	1		678865003	1	290602003	Bloque de terminales (RD6800G).....	1
15	570766004	Rubber Boot (RD6800G)	1	14	290602002	1	570766004	Botas de goma (RD6800G)	1
16	678878001	Sleeve.....	1	15	570766004	1	678878001	Casquillo.....	1
17	638787001	Bushing	2	16	678878001	1	638787001	Buje	2
				17	638787001	2			