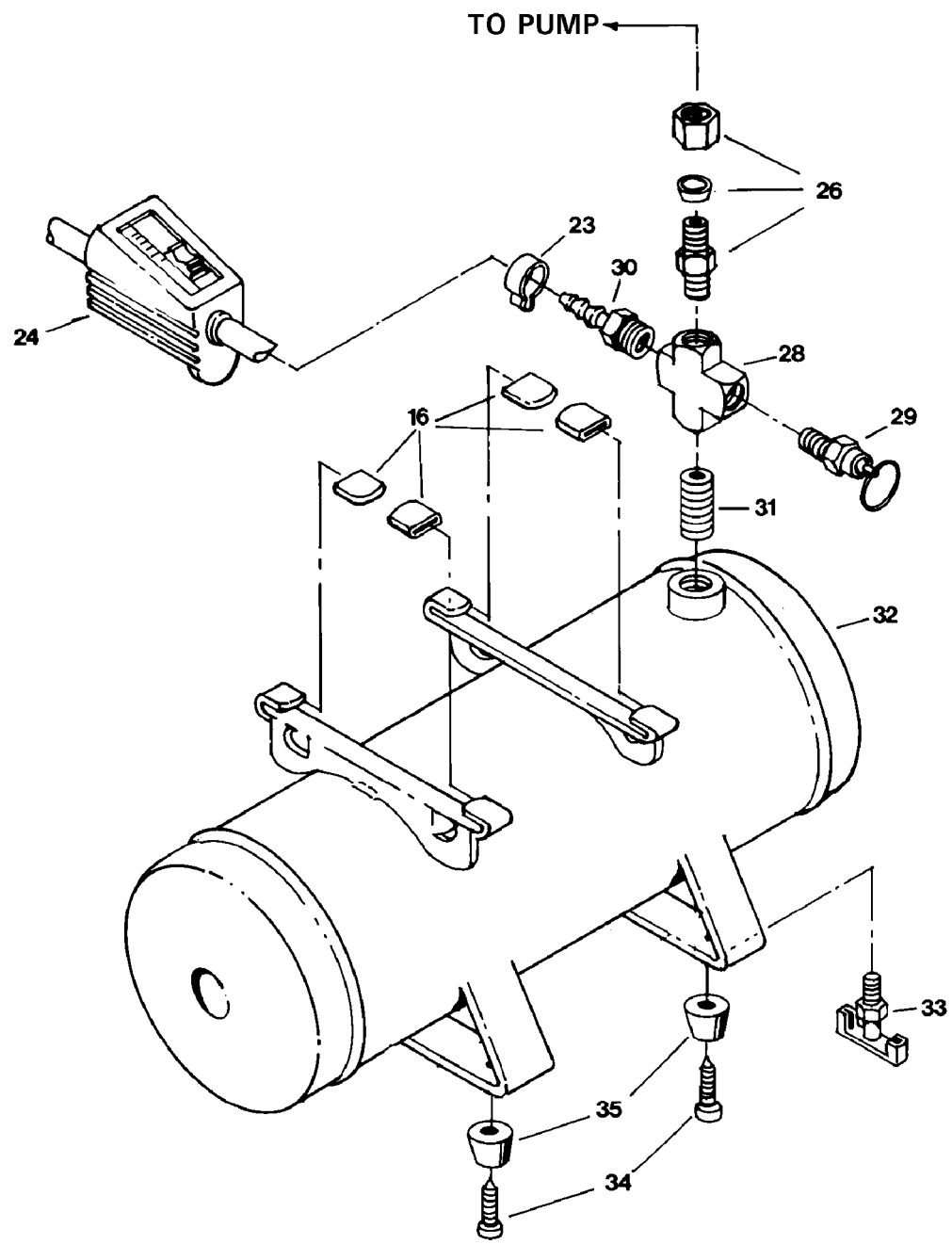


*POWER CORD (GREEN)
 ○GROUND WIRE



Parts List for RAC102D Type 1

Item Number	Part Number	Description	Qty Required
1	KK-4929	KIT FASTENER	1
2	CAC-1196	HEAD UMC	1
3	D30139	KIT GRAPHITE GASKET	1
4	D30139	KIT GRAPHITE GASKET	1
5	N017592SV	VALVE PLATE ASSY	1
6	D30139	KIT GRAPHITE GASKET	1
7	000000-00	No Longer Available	1
8	N036518	CON ROD ASSY	1
9	KK-4929	KIT FASTENER	1
10	N036518	CON ROD ASSY	1
11	000000-00	No Longer Available	1
12	CAC-1342	BELT TIMING GOODYEAR	1
13	D30139	KIT GRAPHITE GASKET	1
14	000000-00	No Longer Available	1
15	SSS-16	SWITCH SINGLE POLE 1	1
16	000000-00	No Longer Available	1
17	000000-00	No Longer Available	1
18	000000-00	No Longer Available	1
19	AC-0206	TUBE ISOLATOR	1
20	000000-00	No Longer Available	1
21	000000-00	No Longer Available	1
22	KK-4929	KIT FASTENER	1
23	CAC-1206-1	CLAMP HOSE .250 ID H	2
24	CAC-4324	ASSY PRESS ADJ VALVE	1
25	SUDL-9-1	SCREW #8-32X.375/.34	1
26	000000-00	No Longer Available	1
27	D30139	KIT GRAPHITE GASKET	1

Parts List for RAC102D Type 1

Item Number	Part Number	Description	Qty Required
28	000000-00	No Longer Available	1
29	TIA-4150	VALVE SAFETY 150 .25	1
30	000000-00	No Longer Available	1
31	N044990	NIPPLE CLOSE 1/4-18	1
32	000000-00	No Longer Available	1
33	N286039	DRAIN VALVE	1
34	D30139	KIT GRAPHITE GASKET	1
35	D30139	KIT GRAPHITE GASKET	1
856	000000-00	No Longer Available	1
856	N036518	CON ROD ASSY	1
856	000000-00	No Longer Available	1
856	D30139	KIT GRAPHITE GASKET	1
856	D30139	KIT GRAPHITE GASKET	1
856	KK-4929	KIT FASTENER	1
856	D26889	ADAPTER .25 NPT X .2	1