

Screwdriver Bit Set - 2 610 930 908 - RA1171

www.powertools-aftersaleservice.com



BOSCH

Item	Part Number	Description	Illustration	Price	Quantity	Price Group
1	2 610 930 643	Table		-,-	1	-
4	2 610 933 736	On-Off Switch		-,-	1	-
22	2 610 927 685	Feather board		-,-	2	-
23	2 610 927 687	Protective Guard		-,-	1	-
25	2 610 927 689	Faceplate		-,-	2	-
26	2 610 927 690	Shim Plate		-,-	2	-
27	2 610 934 336	Dust Chamber		-,-	1	-
28	2 610 930 907	Guide Channel		-,-	1	-
29	2 610 938 414	Adapter Plate		-,-	1	-
30	2 610 915 125	Insert ring set		-,-	1	-
31	2 610 930 644	Panel		-,-	1	-
32	2 610 930 645	Panel		-,-	1	-
33	2 610 930 906	Door		-,-	1	-
34	1 609 507 592	Base		-,-	1	-
35	1 609 507 594	Rear Panel		-,-	1	-
36	1 609 507 600	Mounting Bracket		-,-	1	-
101	2 610 930 995	Router table fence		-,-	1	-
105	2 610 915 134	Protective Guard		-,-	1	16
106	2 610 927 712	Screw		-,-	1	-
107	2 610 927 738	Guiding bolt		-,-	1	-
115	2 610 935 104	Slide Plate		-,-	1	-
116	2 610 935 105	Slide Plate		-,-	1	-
122	2 610 927 743	Spacer		-,-	6	-
160	2 610 923 283	Knob		-,-	6	-
163	2 610 923 280	Knob		-,-	6	-
201	2 610 927 724	Plain Washer		-,-	6	-
212	2 610 927 718	Round-Head Bolt		-,-	6	-
213	2 610 923 896	Countersunk-Head Screw		-,-	2	10
215	2 610 923 897	Round-Head Bolt		-,-	2	-
219	2 610 930 100	Cyl Head tapping screw		-,-	4	-
221	2 610 923 439	Combi-Nut		-,-	2	-
222	2 610 928 654	Threaded Insert		-,-	4	-
226	2 610 923 892	Round-Head Bolt		-,-	4	-

Item	Part Number	Description	Illustration	Price	Quantity	Price Group
652	1 619 X04 966	Hardware package	1	-,-	1	-
653	2 610 927 740	Parts Set	1	-,-	1	-
654	1 609 508 072	Parts Set	1	-,-	1	-
656	2 607 950 004	Offset Screwdriver DIN 911-4	2	-,-	1	11
657	2 610 355 777	Hexagon Socket Wrench	2	-,-	1	15

Product information Screwdriver Bit Set - 2 610 930 908 - RA1171

Product No	2 610 930 908
Description	257.834; Screwdriver Bit Set
DIN-Text	
ID_Text_Ext	0
Trading_Description	RA1171
Voltage_1	0 V
ID_Country_Product	---

Illustration - Type E

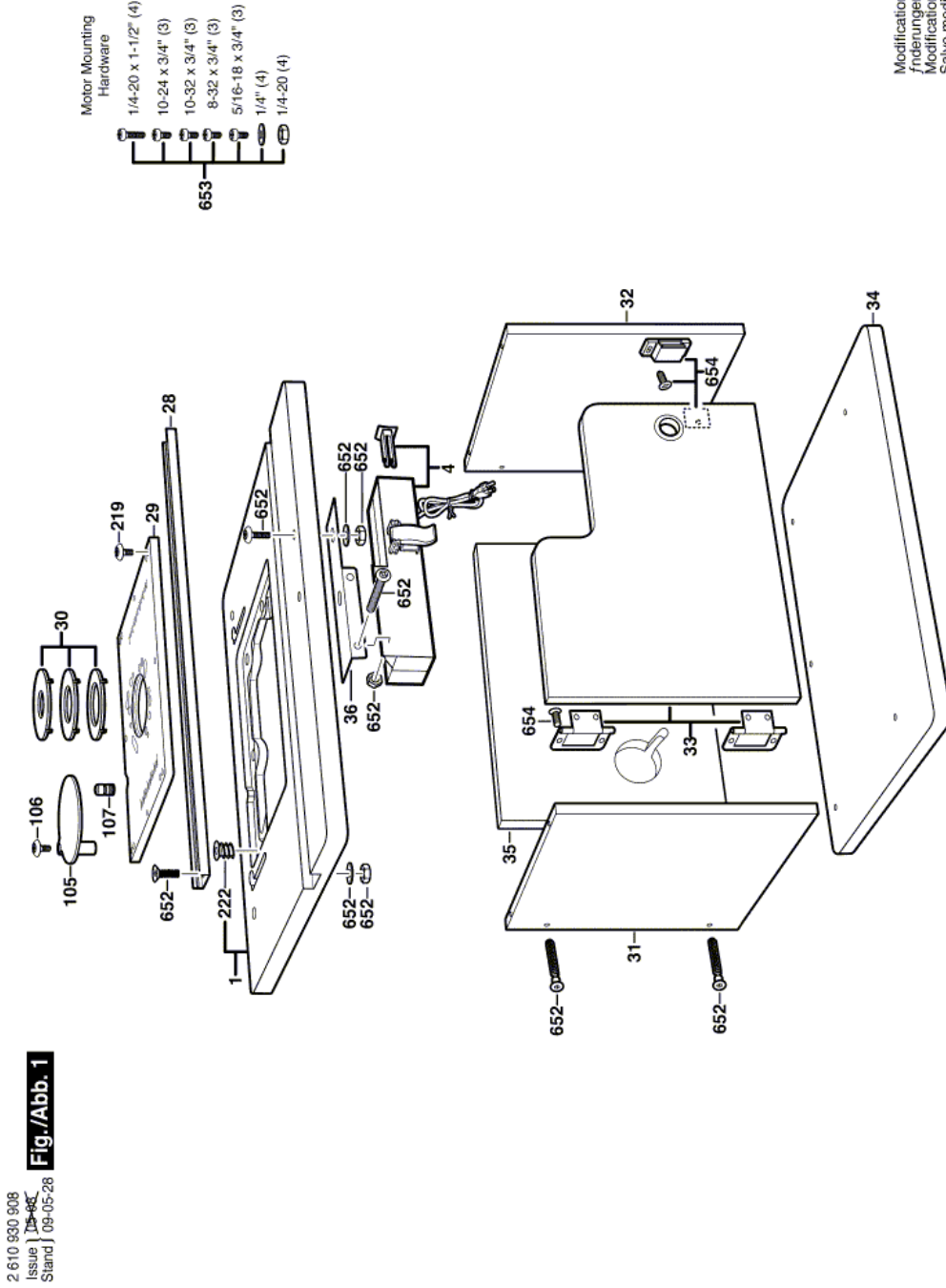
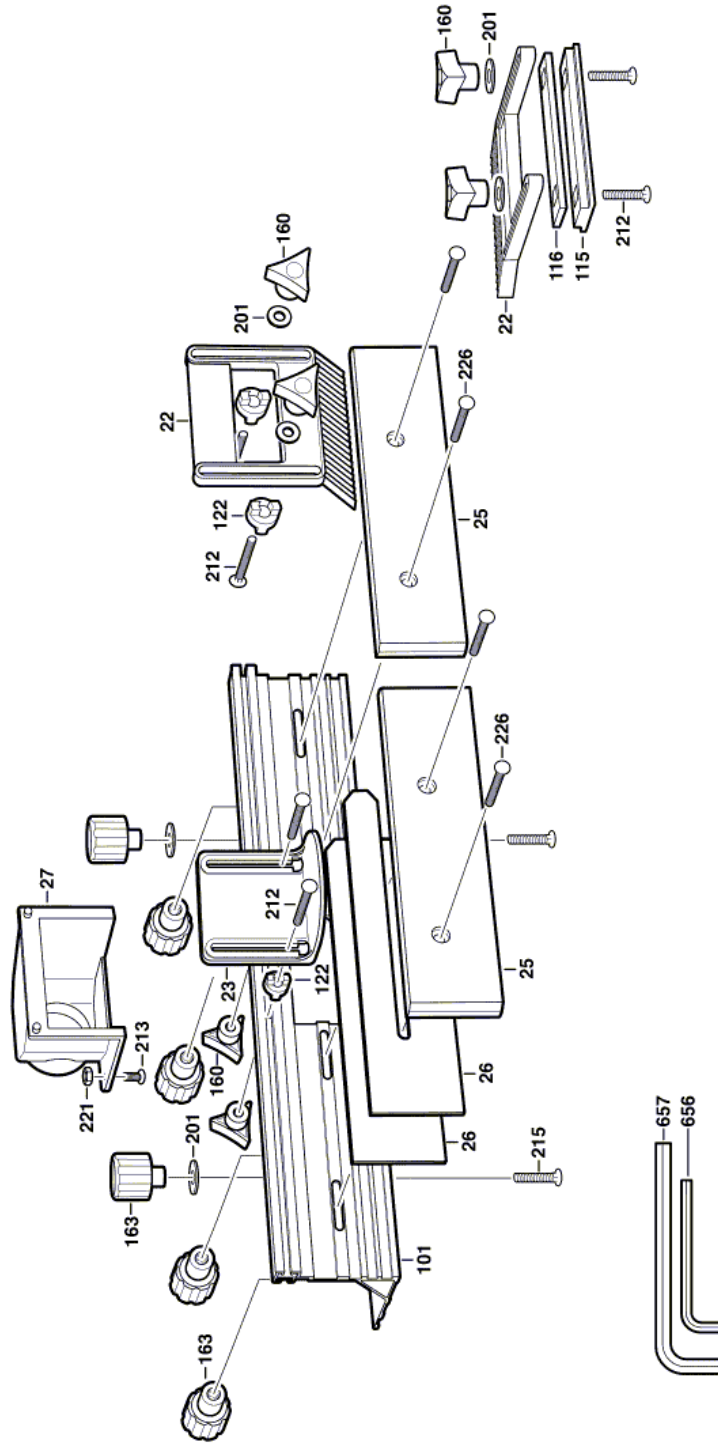


Illustration - Type E

2 610 930 908
Issue | 09-05-28
Stand | 09-05-28

Fig./Abb. 2



Modifications reserved
Änderungen vorbehalten
Modificaciones reservadas
Salvo modificaciones

Information subject to change without further notice.