

Routing Table - 2 610 007 634 - RA1171

www.powertools-aftersaleservice.com



BOSCH

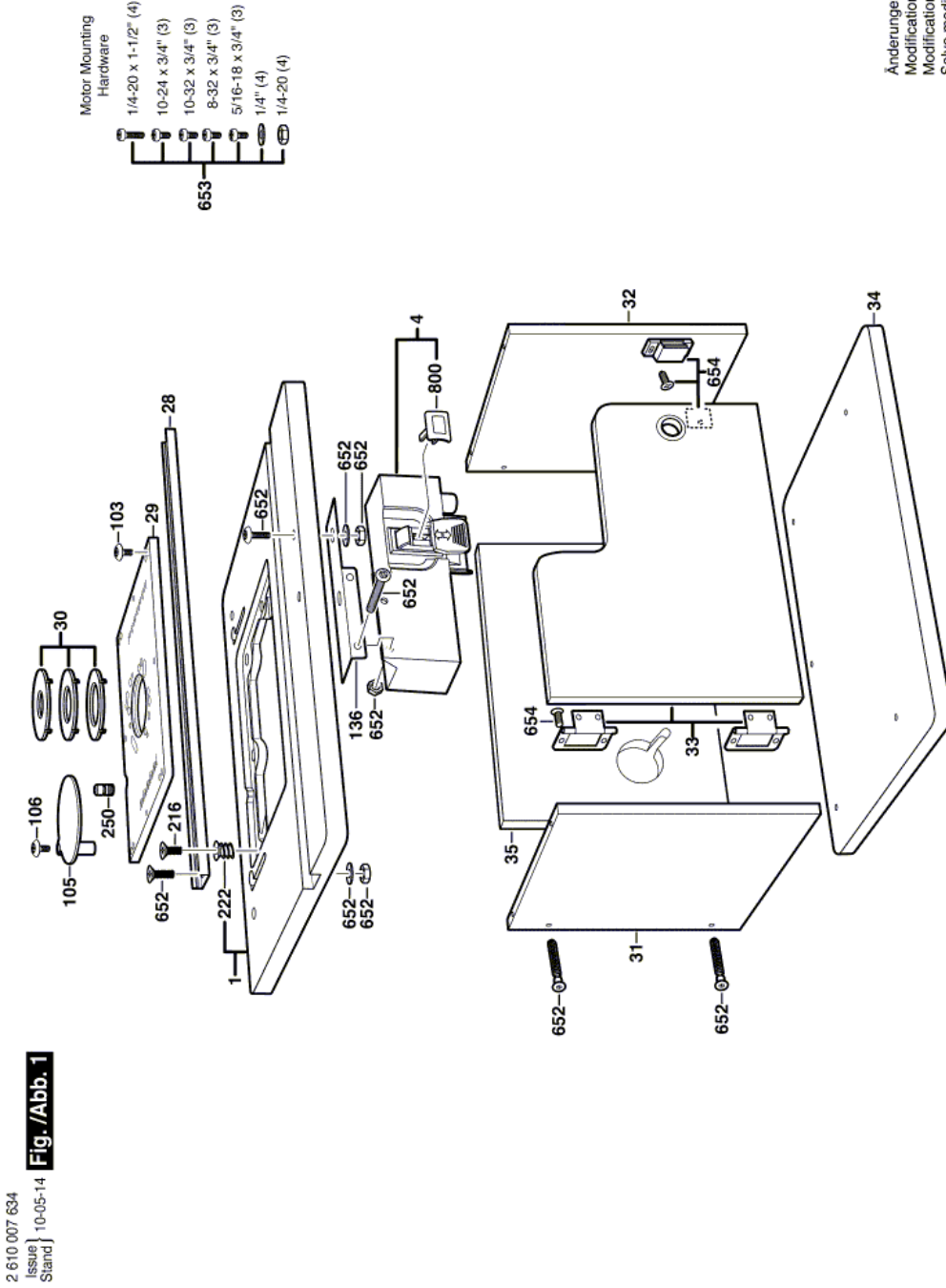
Item	Part Number	Description	Illustration	Price	Quantity	Price Group
1	1 619 X04 962	Table	1	-,-	1	-
4	1 619 X04 461	Switch Unit	1	-,-	1	-
22	2 610 927 685	Feather board	2	-,-	2	-
23	2 610 927 687	Protective Guard	2	-,-	1	-
25	2 610 927 689	Faceplate	2	-,-	2	-
26	2 610 927 690	Shim Plate	2	-,-	2	-
27	2 610 934 336	Dust Chamber	2	-,-	1	-
28	2 610 930 907	Guide Channel	1	-,-	1	-
29	2 610 938 414	Adapter Plate	1	-,-	1	-
30	2 610 915 125	Insert ring set	1	-,-	1	-
31	2 610 930 644	Panel	1	-,-	1	-
32	2 610 930 645	Panel	1	-,-	1	-
33	1 619 X04 963	Cabinet Door	1	-,-	1	-
34	1 609 507 592	Base	1	-,-	1	-
35	1 609 507 594	Rear Panel	1	-,-	1	-
101	2 610 930 995	Router table fence	2	-,-	1	-
103	2 610 929 301	Cyl Head tapping screw	1	-,-	1	-
105	2 610 915 134	Protective Guard	1	-,-	1	16
106	2 610 927 712	Screw	1	-,-	1	-
115	2 610 935 104	Slide Plate	2	-,-	1	-
116	2 610 935 105	Slide Plate	2	-,-	1	-
122	2 610 927 743	Spacer	2	-,-	6	-
136	1 609 507 600	Mounting Bracket	1	-,-	1	-
160	2 610 923 283	Knob	2	-,-	6	-
163	2 610 923 280	Knob	2	-,-	6	-
201	2 610 927 724	Plain Washer	2	-,-	6	-
212	2 610 927 718	Round-Head Bolt	2	-,-	6	-
213	2 610 923 896	Countersunk-Head Screw	2	-,-	2	10
215	2 610 923 897	Round-Head Bolt	2	-,-	2	-
216	2 610 923 905	Countersunk-Head Screw	1	-,-	4	-
221	2 610 923 439	Combi-Nut	2	-,-	2	-
222	2 610 928 654	Threaded Insert	1	-,-	8	-
226	2 610 923 892	Round-Head Bolt	2	-,-	4	-

Item	Part Number	Description	Illustration	Price	Quantity	Price Group
250	2 610 927 738	Guiding bolt	1	-,-	1	-
652	1 619 X04 966	Hardware package	1	-,-	1	-
653	2 610 927 740	Parts Set	1	-,-	1	-
654	1 609 508 072	Parts Set	1	-,-	1	-
656	2 607 950 004	Offset Screwdriver DIN 911-4	2	-,-	1	11
800	1 619 X04 172	Switch Key	1	-,-	1	-

Product information Routing Table - 2 610 007 634 - RA1171

Product No	2 610 007 634
Description	258.008; Routing Table
DIN-Text	
ID_Text_Ext	0
Trading_Description	RA1171
Voltage_1	120 V
ID_Country_Product	USA

Illustration - Type E

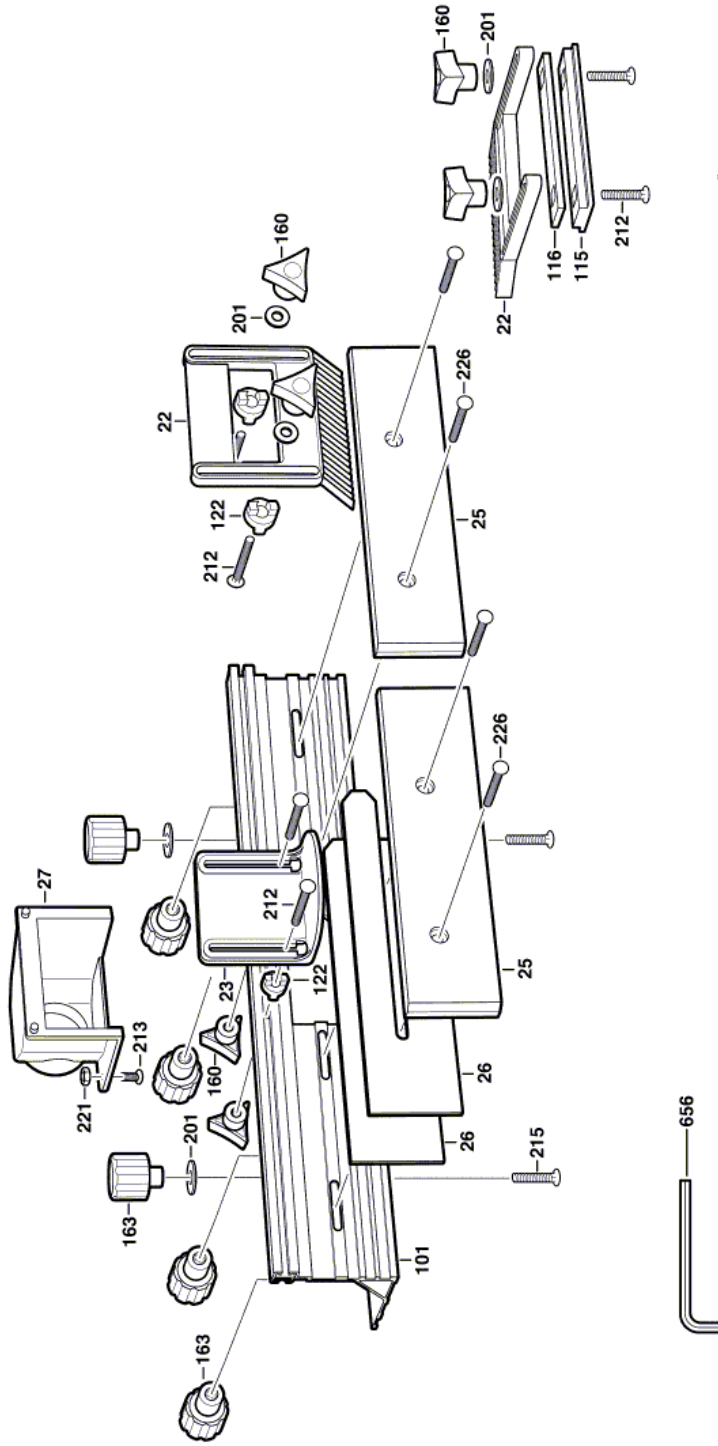


2 610 007 634
Issue
Stand } 10-05-14
Fig./Abb. 1

Illustration - Type E

2 610 007 634
 Issue /
 Stand } 10-05-14

Fig./Abb. 2



Änderungen vorbehalten
 Modifications reserved
 Modifications réservées
 Salvo modificaciones

Information subject to change without further notice.