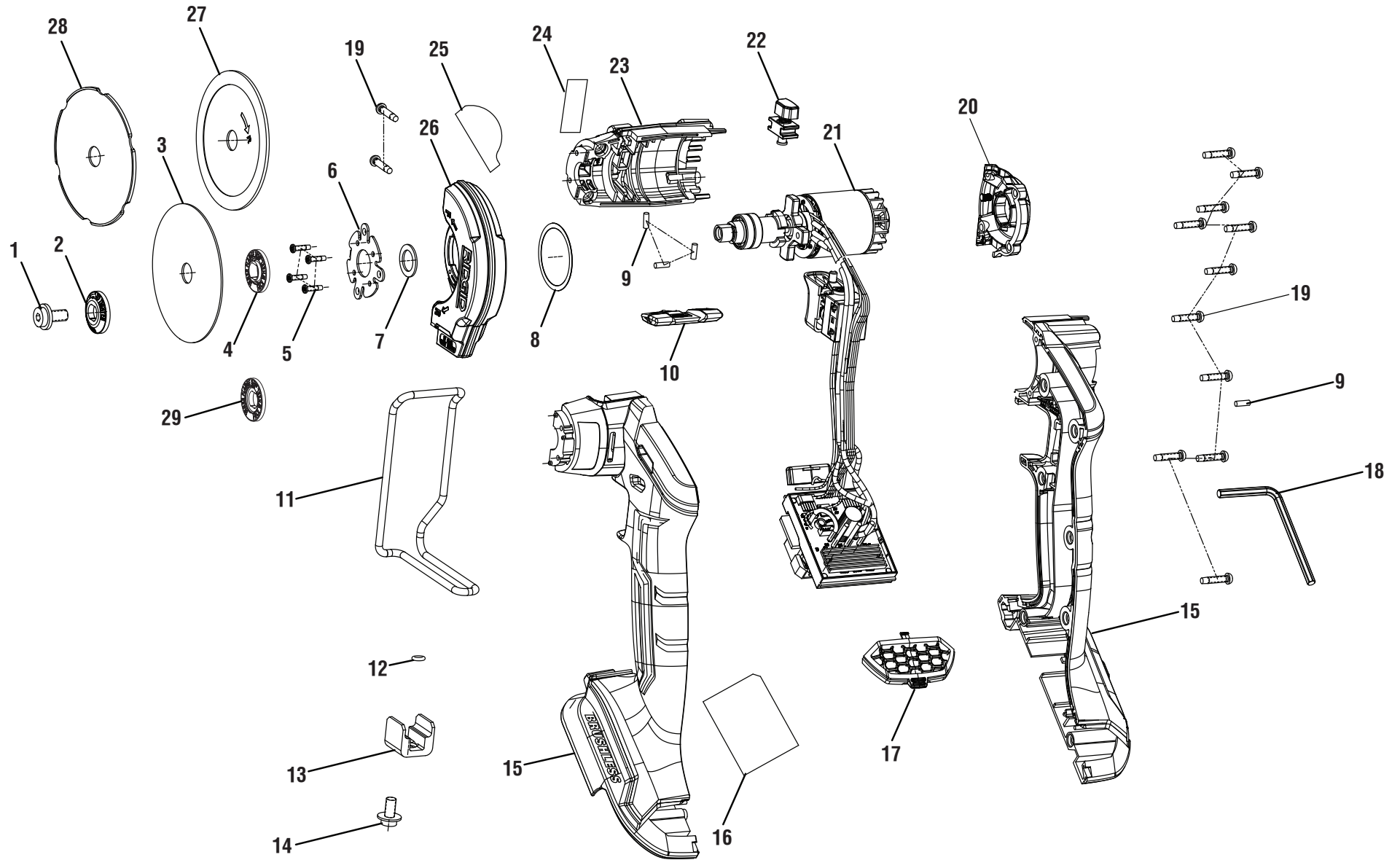


RIDGID® R87547



KEY	P/N	DESCRIPTION	QTY
1	663012001	Screw (M6 x 12 mm)	1
2	614367001	Top Flange.....	1
3	903750005	Abrasive Blade	1
4	614366001	Bottom Flange (7/16 in.).....	1
5	662936001	Screw (M2.6 x 10 mm, T8 Torx Pan Hd.)	4
6	658865001	Retaining Plate	1
7	565526001	Gasket.....	1
8	659050001	Washer (ID31.5 x OD37 x 0.2t)	1
9	560984002	Plug	4
10	362454001	Forward/Reverse Selector	1
11	658868001	Wire Guide Plate	1
12	564429001	O-Ring.....	1
13	614401001	Wire Guide Clamp	1
14	661276002	Screw (M5 x 10 mm)	1
15	204050002	Housing Assembly (Inc. Key No. 16).....	1
16	941123092	Data Label	1

KEY	P/N	DESCRIPTION	QTY
17	315873001	Filter	1
18	658469002	Wrench (4 mm).....	1
19	660031011	Screw (M3.5 x 1.27 mm, T10 Torx Pan Hd.)	13
20	361639001	End Cap	1
21	206050002	Motor Assembly	1
22	204050003	Spindle Lock Assembly.....	1
23	539892001	Housing Top Cover (Inc. Key No. 24).....	1
24	941122581	Warning Icon Label	1
25	941122580	Guard Warning Label	1
26	643981001	Cutting Guard.....	1
27	682386005	Diamond Blade	1
28	682385005	Carbide Blade	1
29	614646001	Bottom Flange (3/8 in.).....	1

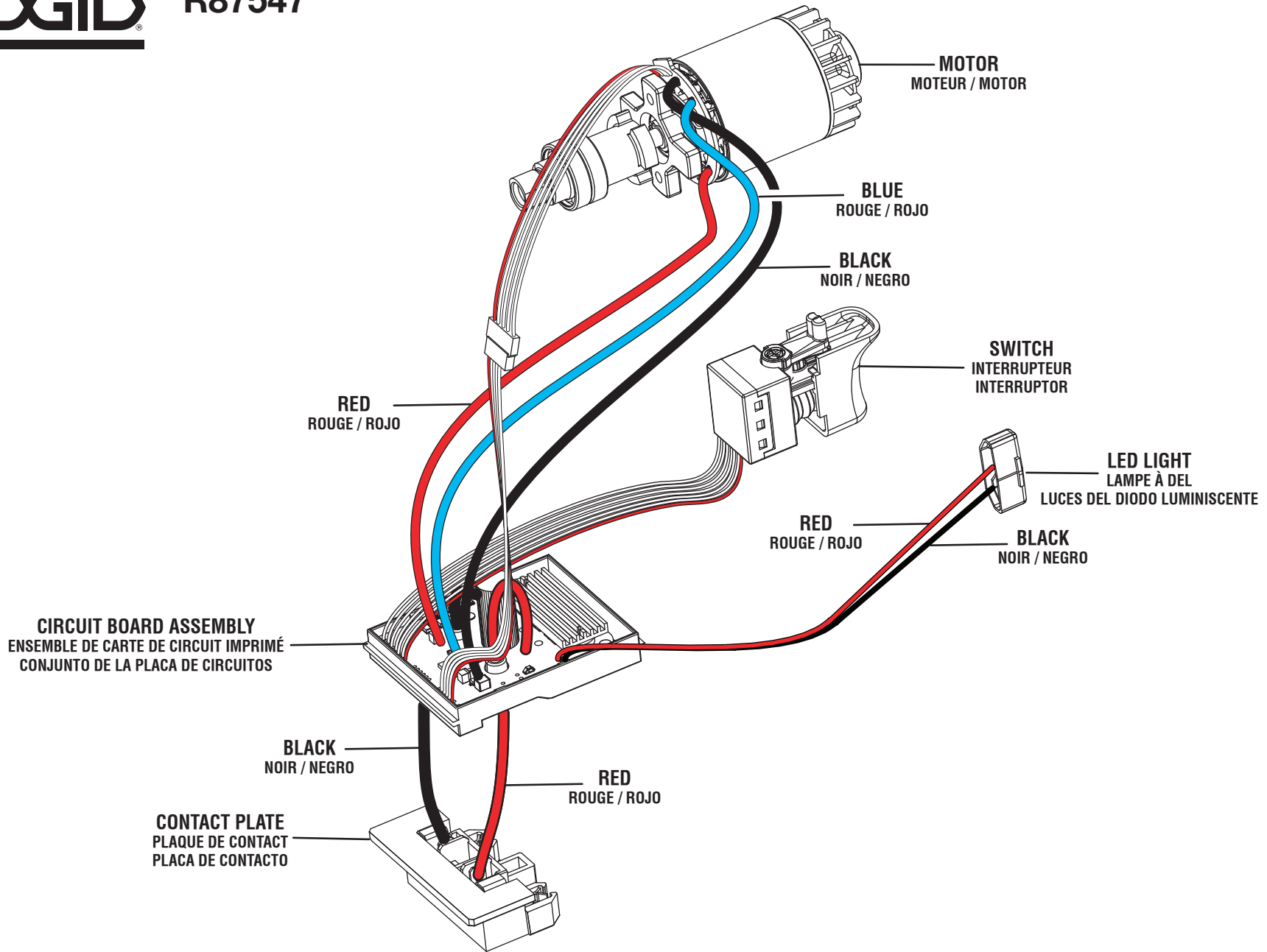
NOT SHOWN:

998000131 Operator's Manual (961153401)

7-6-20
(Rev:02)



R87547



WIRING DIAGRAM / SCHÉMA DE CÂBLAGE / DIAGRAMA DE CABLEADO