

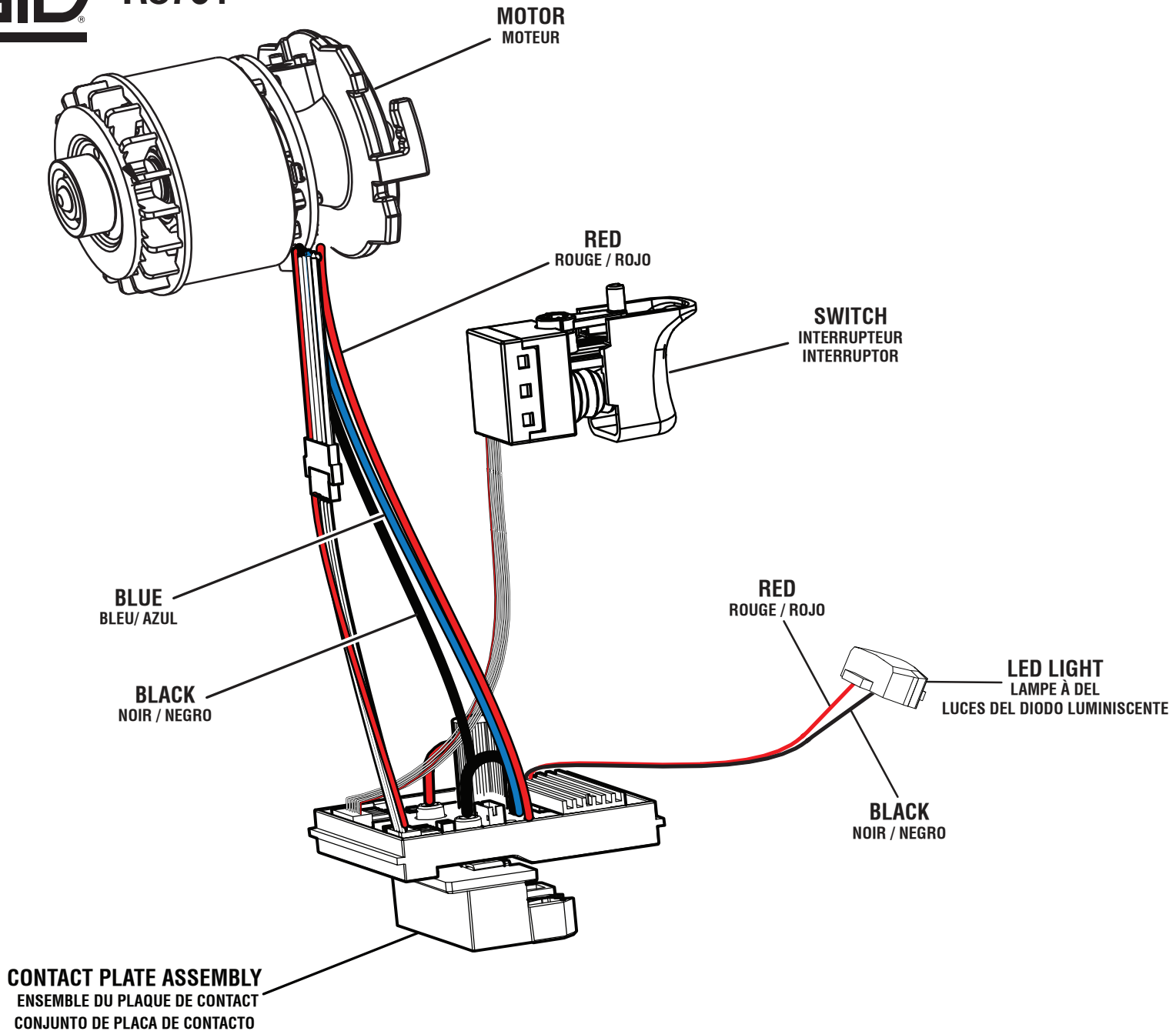


R8701

| KEY | P/N | DESCRIPTION | QTY |
|-----|-----------|--|-----|
| 1 | 539417001 | High/ Low Selector..... | 1 |
| 2 | 660031029 | Screw (M3.5 x 16 mm, T10 Torx Pan Hd.) | 15 |
| 3 | 539088001 | Forward & Reverse Selector..... | 1 |
| 4 | 636181001 | Belt Hook | 1 |
| 5 | 361742001 | End Cap | 1 |
| 6 | 204987004 | Bit Holder Assembly..... | 1 |
| 7 | 206786003 | Gear Assembly | 1 |
| 8 | 206784004 | Motor Controller and Switch Assembly | 1 |
| 9 | 204987003 | Housing Assembly (Inc. Key No. 13)..... | 1 |
| 10 | 660212001 | Screw (M4 x 6 mm, Pan Hd.) | 2 |
| 11 | 565598001 | Rubber..... | 2 |
| 12 | 565548001 | Ball Bearing Cap | 1 |
| 13 | 941121547 | Data Label | 1 |
| 14 | 941120541 | Warning Alert Icon Label (Left) | 1 |
| 15 | 941120497 | Warning Icon Label (Right) | 1 |

Not Shown:

998000148 Operator's Manual (961153239)
4-29-20
(Rev:01)



WIRING DIAGRAM / SCHÉMA DE CÂBLAGE / DIAGRAMA DE CABLEADO