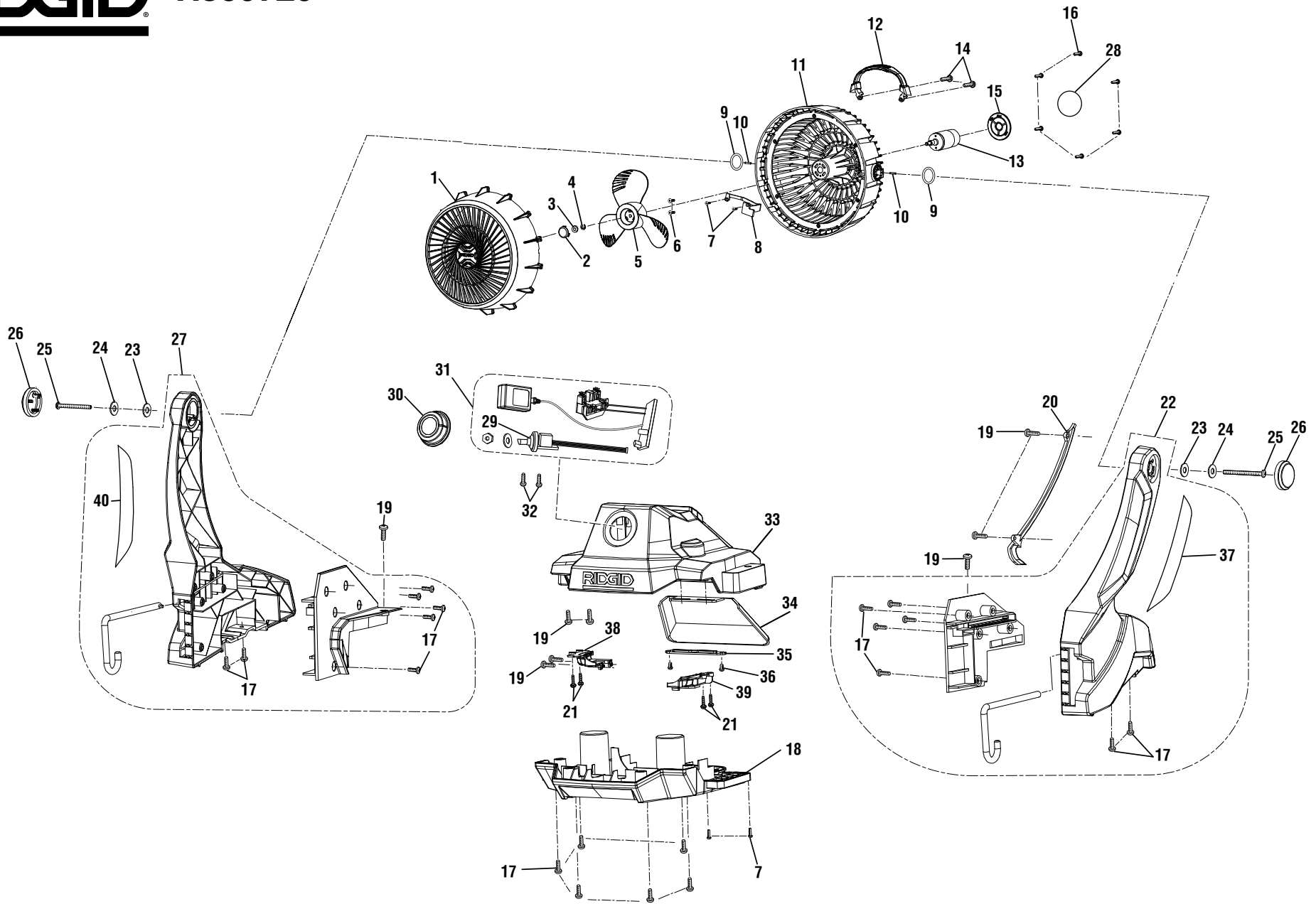


**RIDGID  
R860720 FAN  
REPAIR SHEET**

**RIDGID  
R860720 FAN  
FEUILLE DE RÉPARATION**

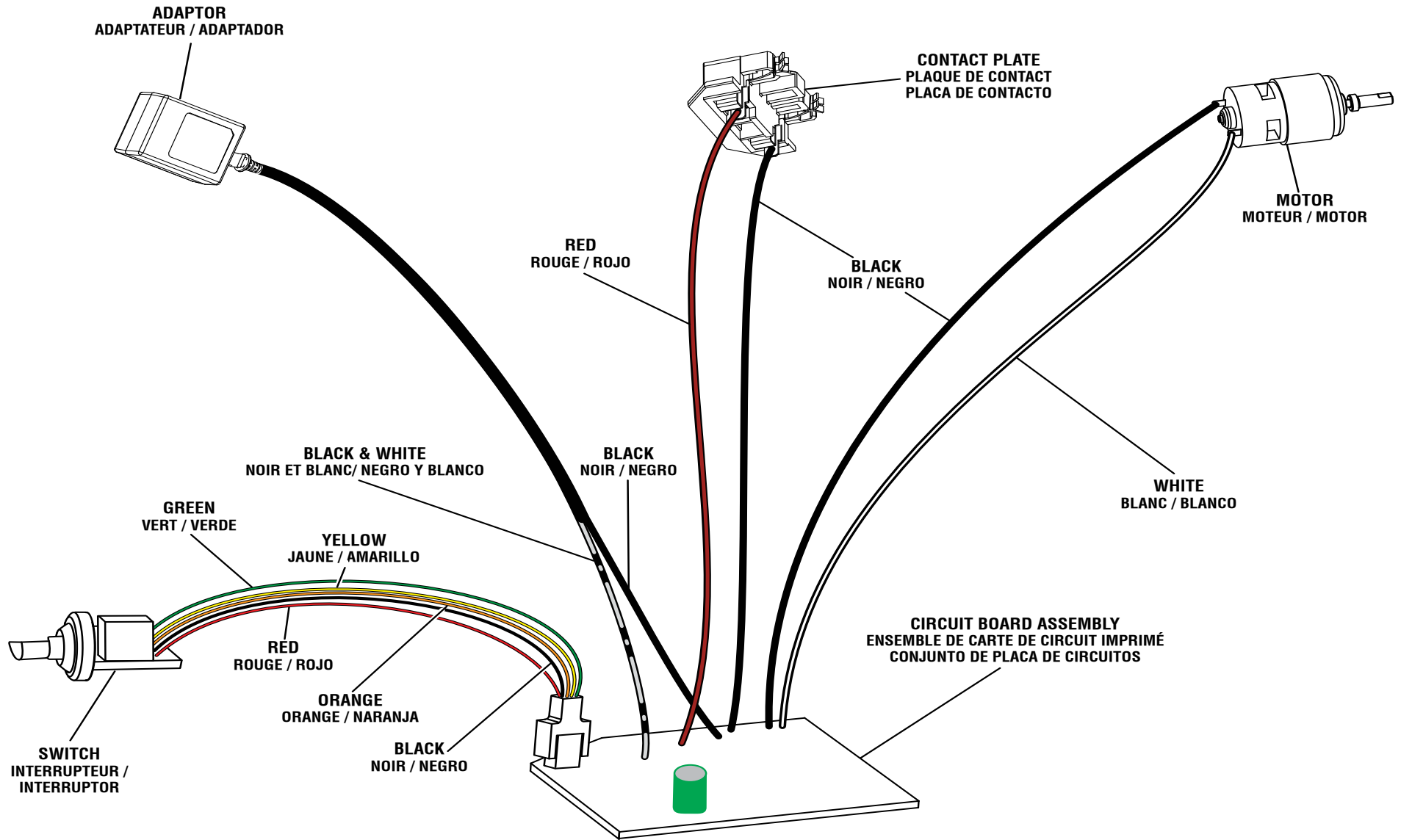
**RIDGID  
R860720 FAN  
LISTA DE PIEZAS DE REPUESTO**





# R860720

KEY	P/N	DESCRIPTION	QTY	KEY	P/N	DESCRIPTION	QTY
1	019652001001	Front Cage .....	1	23	019652001023	Gasket.....	2
2	019652001002	Blade Cap .....	1	24	019652001024	Washer .....	2
3	019652001003	Washer .....	1	25	019652001025	Screw (M4 x 40mm) .....	2
4	019652001004	C-clip.....	1	26	019652001026	Cap.....	2
5	019652001005	Blade .....	1	27	019652001051	Left Leg Assembly (Inc. Key Nos. 17 & 40).....	1
6	019652001006	Screw (M3 x 6 mm) .....	2	28	941488146	Data Label.....	1
7	019652001007	Screw (M3 x 8 mm) .....	4	29	019652001035	Switch .....	1
8	019652001008	Wire Cover .....	1	30	019652001030	Speed Switch.....	1
9	019652001009	Rubber Ring .....	2	31	019652001031	Switch & Circuit Board Assembly (Inc. Key No. 29).....	1
10	019652001010	Shaft.....	2	32	019652001037	Screw (M3 x 15 mm) .....	2
11	019652001011	Back Cage .....	1	33	019652001038	Top Housing .....	1
12	019652001012	Handle.....	1	34	019652001039	Battery Cover .....	1
13	019652001013	Motor Assembly .....	1	35	019652001040	Plate .....	1
14	019652001014	Screw (M4 x 16 mm) .....	2	36	019652001041	Screw (M3 x 5.5 mm) .....	2
15	019652001015	Cap.....	1	37	941114158	Logo Label (Right).....	1
16	019652001016	Screw (M2.6 x 16 mm) .....	6	38	019652001046	Cover (Left).....	1
17	019652001017	Screw (M4 x 20 mm) .....	20	39	019652001047	Cover (Right) .....	1
18	019652001049	Bottom Housing .....	1	40	941114157	Logo Label (Left) .....	1
19	019652001019	Screw (M3.0 x 10 mm) .....	8		<b>Not Shown:</b>		
20	019652001020	Wire Cover .....	1		991000357	Operator's Manual	
21	019652001050	Screw (M4 x 14 mm) .....	4		5-07-15		
22	019652001042	Right Leg Assembly (Inc. Key Nos. 17 & 37) .....	1		(Rev:01)		



### WIRING DIAGRAM

SCHÉMA DE CÂBLAGE  
DIAGRAMA DE CABLEADO