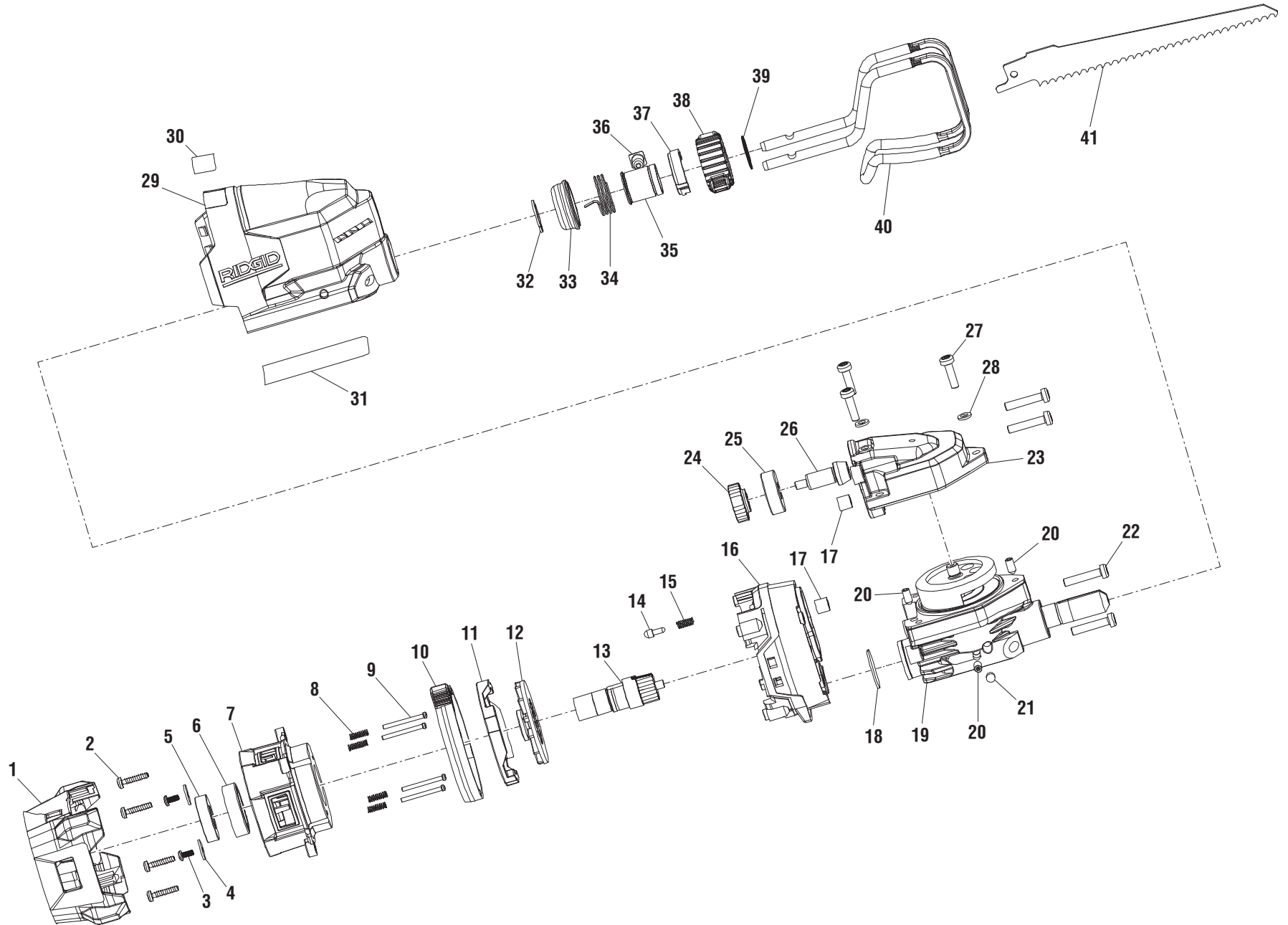




R8223412 Reciprocating Saw Head

Tête à scie alternative / Cabezal de sierra alternativa





R8223412 Reciprocating Saw Head

KEY	P/N	DESCRIPTION	QTY	KEY	P/N	DESCRIPTION	QTY
1	562839001	Rubber Boot.....	1	24	611466001	Reduction Gear	1
2	660570004	Screw (M4 x 14 mm)	4	25	671419002	Ball Bearing (608ZZ).....	1
3	661205001	Screw (M2.5 x 6 mm)	2	26	T611467001	Bevel Pinion	1
4	633105002	Washer (OD10.6 x ID2.7 x 1.5t).....	2	27	660414015	Screw (M4 x 14 mm)	3
5	681447001	Ball Bearing	1	28	670030009	Spring Washer (OD7.2 x ID4.1 x 1t)	3
6	562409002	Bearing Seat.....	1	29	351137001	Front Cover	1
7	641827001	Connector	1	30	940221159	Warning Label	1
8	692891001	Compression Spring	4	31	940488413	Data Label	1
9	673019003	Pin	4	32	6939601	C-Ring	1
10	523017002	Switch Knob	1	33	514778002	Spring Cover	1
11	523019002	Cam Ring	1	34	672186001	Torsion Spring	1
12	523014002	Fan	1	35	672200001	Sleeve.....	1
13	611032003	Motor Pinion.....	1	36	691261001	Lock Pin	1
14	550424001	Detent Button	1	37	672193001	Rear Cam	1
15	680909001	Compression Spring	1	38	672192003	Front Cam	1
16	351138001	Adaptor	1	39	672297001	Retaining Ring	1
17	680901001	Needle Bearing.....	2	40	673071001	Shoe	1
18	902640001	Felt Seal	1	41	671947001	Wood/Metal Cutting Blade.....	1
19	305002001	Gear Case Assembly.....	1				
20	660439002	Screw (M4 x 8 mm, Hex Hd.)	4				
21	560020001	Pin	2				
22	660024015	Screw (M4 x 14 mm)	4				
23	305001001	Gear Cover Assembly	1				

Not Shown:

988000835	Operator's Manual.....	1
2-15-12		
(REV:02)		