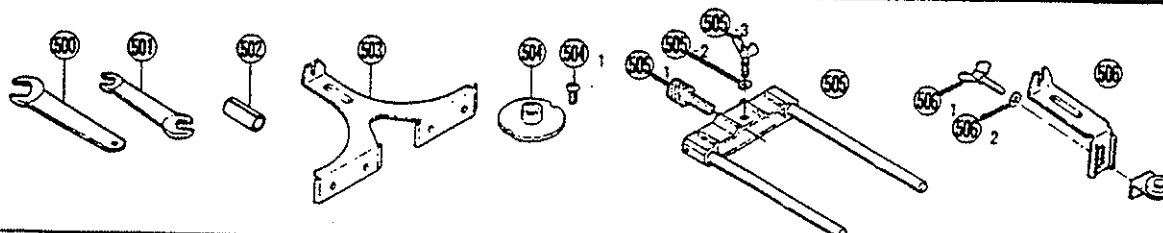
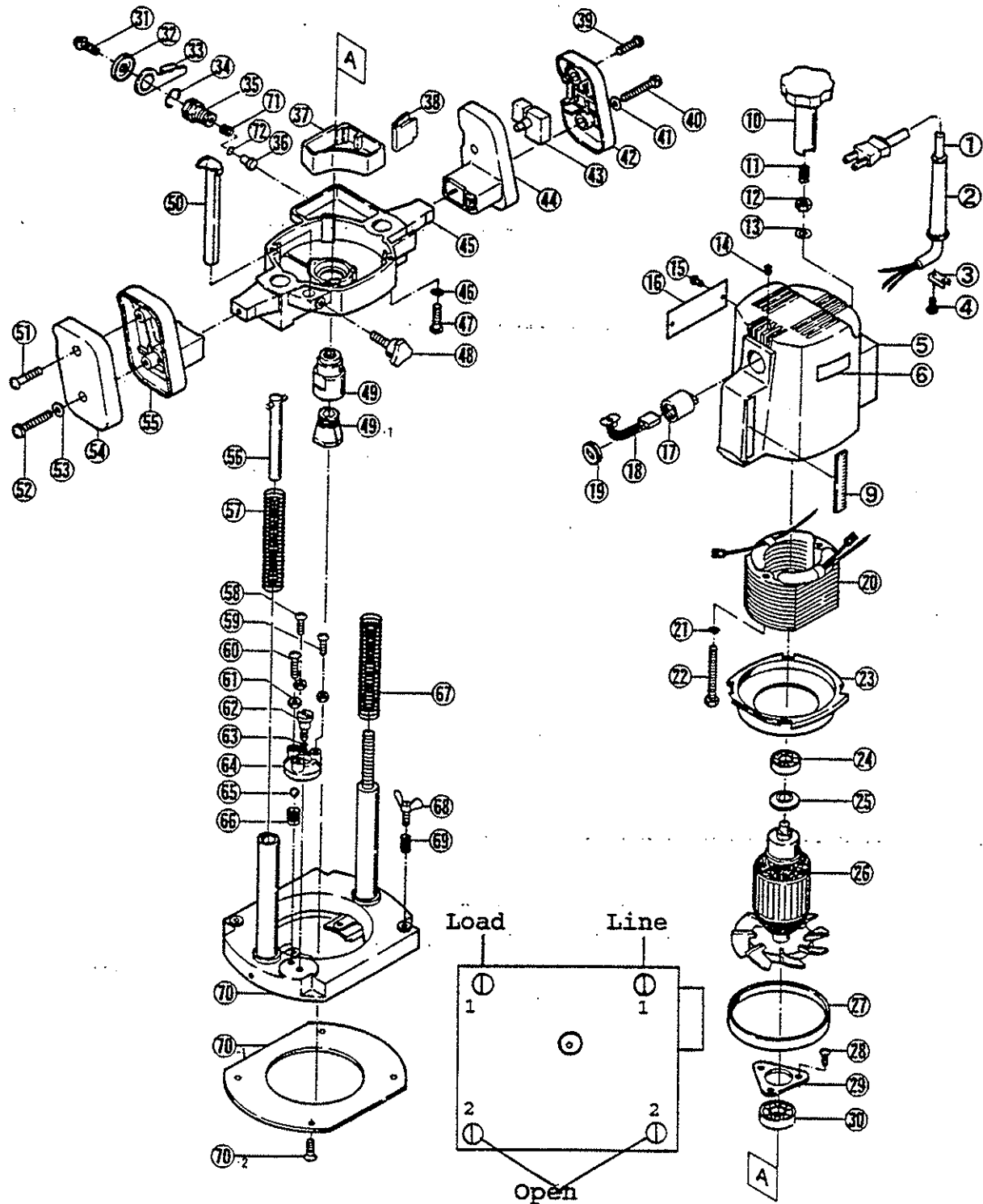


ROUTER

R-501



PARTS LIST FOR AFTER SALES SERVICE MODEL R501

| PART NO. | DESCRIPTION | QTY | REF | PART NO. | DESCRIPTION | QTY |
|-----------|--------------------------|-----|-------|----------|------------------------------|-----|
| 6520235 | CORD ASS'Y AWG#14X2X2 | 1 | 49 | 6940123 | COLLET CHUCK 1/2" | 1 |
| 6560044 | CORD HOLDER | 1 | 49-1 | 6940118 | COLLET SLEEVE 1/2" | 1 |
| 6560057 | CORD CLAMP | 1 | 50 | 6090075 | STOP POLE | 1 |
| 9060414 | TAPPING SCREW (B) M4X14 | 2 | 51 | 9060512 | TAPPING SCREW (B) M5X12 | 1 |
| 6801814 | MOTOR HOUSING | 1 | 52 | 9020530 | PHILLIPS PAN SCREW M5X30 | 1 |
| 6921070 | "RYOBI" MARK | 1 | 53 | 9570500 | WASHER | 1 |
| 6920209 | SCALE "INCH" | 1 | 54 | 6830356 | HANDLE COVER (L) | 1 |
| 6832047 | KNOB | 1 | 55 | 6830353 | HANDLE (L) | 1 |
| 6180056 | COMPRESSION SPRING | 1 | 56 | 6100058 | AUX. GUIDE BAR | 1 |
| 9331000 | HEX NUT M10 | 1 | 57 | 6180629 | COMPRESSION SPRING | 1 |
| 6900181 | WASHER | 1 | 58 | 9000514 | PHILLIPS PAN SCREW M5X14 | 1 |
| 9280505 | CLAMP SCREW M5X5 | 2 | 59 | 9000520 | PHILLIPS PAN SCREW M5X20 | 1 |
| 6120009 | RIVET #2 | 2 | 60 | 9000530 | PHILLIPS PAN SCREW M5X30 | 1 |
| 6910639 | NAME PLATE | 1 | 61 | 9310500 | HEX NUT M5 | 3 |
| 6570019 | BRUSH HOLDER | 2 | 62 | 6130276 | CLAMP BOLT | 1 |
| 6540213 | CARBON BRUSH SET | 1 | 63 | 6180056 | COMPRESSION SPRING | 1 |
| 6570005 | BRUSH CAP | 2 | 64 | 6320048 | STOP BLOCK | 1 |
| 6500374 | FIELD COIL | 1 | 65 | 6290087 | STEEL BALL 1/4" | 1 |
| 9550500 | SPRING WASHER M5 | 2 | 66 | 6180055 | COMPRESSION SPRING | 1 |
| 9060560 | TAPPING SCREW (B) M5X60 | 2 | 67 | 6180629 | COMPRESSION SPRING | 1 |
| 6490076 | COVER | 1 | 68 | 6130395 | WING BOLT M6X15 | 2 |
| 969235005 | BALL BEARING #6200LLB | 1 | 69 | 6180004 | COMPRESSION SPRING | 2 |
| 6900713 | DUST COLLAR | 1 | 70 | 6010051 | BASE | 1 |
| 6030392 | ARMATURE | 1 | 70-1 | 6360054 | BASE PLATE | 1 |
| 6490081 | FAN CASING | 1 | 70-2 | 9150410 | FLAT TAPPING SCREW (S) M4X10 | 4 |
| 9040410 | TAPPING SCREW (S) M4X10 | 3 | 71 | 6180485 | TORSION SPRING | 1 |
| 6150446 | CLAMP PLATE | 1 | 72 | 9760010 | O-RING P-10 | 1 |
| 9826201 | BALL BEARING #6201LLB | 1 | --- | 6530209 | FASTEN CONNECTOR | 1 |
| 9020610 | PHILLIPS PAN SCREW M6X10 | 1 | --- | 6560003 | CONNECTOR | 1 |
| 6900167 | WASHER | 1 | --- | 9674316 | LEAD WIRE | 1 |
| 6830339 | CLAMP LEVER | 1 | | | | |
| 9501000 | RETAINING RING E-10 | 1 | | | | |
| 6130281 | CLAMP SCREW | 1 | 500 | 6240263 | SINGLE-END WRENCH | 1 |
| 6120072 | DRIVE PIN | 1 | 501 | 6241073 | OPEN-END WRENCH 17X19 | 1 |
| 6590125 | INSULATION COVER | 1 | 502 | 6072223 | BIT ADAPTER 1/4"X1/2" | 1 |
| 6590126 | INSULATION PLATE | 1 | --- | 6072213 | BIT ADAPTER 3/8"X1/2" | 1 |
| 9060512 | TAPPING SCREW (B) M5X12 | 1 | 503 | 6150453 | STRAIGHT GUIDE | 1 |
| 9020530 | PHILLIPS PAN SCREW M5X30 | 1 | 504 | 6072313 | TEMPLATE GUIDE | 1 |
| 9570500 | WASHER | 1 | 504-1 | 9120508 | TRUSS HEAD SCREW M6X8 | 2 |
| 6830351 | HANDLE COVER | 1 | 505 | 6070573 | GUIDE HOLDER | 1 |
| 6550156 | TRIGGER SWITCH | 1 | 505-1 | 6130278 | ADJUSTMENT SCREW | 1 |
| 6830348 | HANDLE | 1 | 505-2 | 9570600 | WASHER | 1 |
| 6320047 | BRACKET | 1 | 505-3 | 9270610 | WING BOLT M6X10 | 1 |
| 9550500 | SPRING WASHER M5 | 4 | 506 | 6070563 | TRIMMER GUIDE | 1 |
| 9060550 | TAPPING SCREW (B) M5X50 | 4 | 506-1 | 9240610 | WING BOLT M6X10 | 1 |
| 6130282 | KNOB BOLT M5X15 | 1 | 506-2 | 9570600 | WASHER | 1 |

STANDARD ACCESSORIES

SERVICE NOTES: