

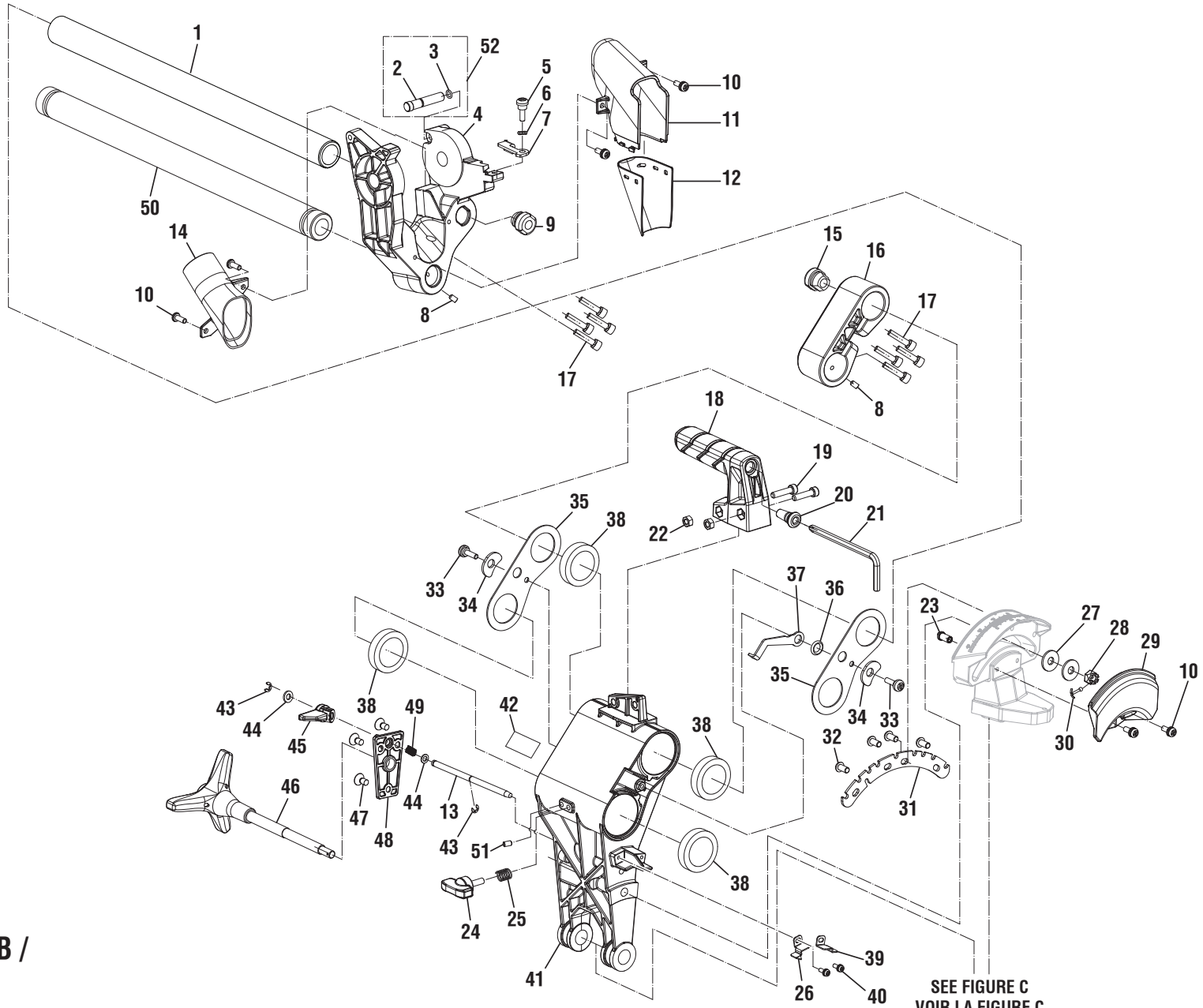
FIGURE A /
FIGURA A



R4222T

PARTS LIST (FIGURE A)

KEY NO.	PART NUMBER	DESCRIPTION	QTY	KEY NO.	PART NUMBER	DESCRIPTION	QTY	KEY NO.	PART NUMBER	DESCRIPTION	QTY
1	089240040120	Arm Pivot Pin	1	26	089240040126	LED Lens.....	1	51	089240040165	Terminal Block.....	1
2	089240040121	Torsion Spring	1	27	089240040154	Wavy Washer (OD19.5 x ID15 x 0.2t).....	1	52	089240040185	Cord Guard	1
3	089240040122	Spring Sleeve.....	1	28	089240040127	LED Cover.....	1	53	089240040150	Cord Clamp.....	1
4	089240040144	Washer (M6)	1	29	089240040128	LED Light	1	54	089240040035	Screw (M5 x 60 mm)	2
5	089240040153	Wavy Washer (M7)	1	30	089240040129	Wire Cover	1	55	089240040064	Fan Baffle	1
6	089240040151	Washer (M7)	1	31	089240040158	Screw (M4 x 15 mm)	2	56	089240040702	Motor Wire Lead w/Terminals.....	1
7	089240040163	Shoulder Screw (M6 x 16 mm).....	1	32	089240040160	Screw (M4 x 12 mm)	2	57	089240040749	Motor Housing Assembly (Incl. Key Nos. 58-59).....	1
8	089240040739	Lower Blade Guard Assembly (Incl. Key No. 19-20)	1	33	089240040737	Handle Assembly	1	58	089240040901	Data Label.....	1
9	089240040157	Arbor Screw (Hex Flange Hd.)	1	34	089240040724	Clamp Assembly	1	59	089041028901	Warning Label (English).....	1
10	089240040130	Outer Flange	1	35	089240040723	Dust Bag Assembly.....	1	60	089240040173	Screw (M4 x 14 mm)	13
11	089240040902	Blade (10 in.)	1	36	089240040269	Shoulder Screw (M5 x 16 mm).....	4	61	089240040174	LED Switch	1
12	089240040746	Gear Box Cover	1	37	089240040155	Screw (M8 x 20 mm)	1	62	089240040721	Trigger Lock-Out Assembly	1
13	089240040020	Shoulder Bolt (M5 x 22 mm)	2	38	089240040156	Screw (M6 x 12 mm)	1	63	089240040168	Transformer Assembly	1
14	089240040015	Gasket.....	1	39	089240040175	Main Switch	1	64	089240040031	Screw w/Washer (M4 x 12 mm, Cr. Rec. Pan Hd.)	1
15	089240040019	Screw (M6 x 7 mm)	4	40	089240040722	Inner Wire Lead w/Terminal.....	1	65	089240040004	Follower Plate	1
16	089240040036	Screw (M5 x 20 mm)	3	41	089240040703	Armature Assembly.....	1	66	089240040003	Clevis Pin	1
17	089240040034	Screw (M6 x 30 mm)	4	42	089240040001	Bearing Sleeve	1	67	089240040002	Compression Spring	1
18	089240040164	Screw (M5 x 12 mm)	2	43	089240040032	Screw (M5 x 12 mm)	2	68	089240040149	Depth Setting Screw (M6 x 1 mm)	1
19	089240013911	No Hands Label (Lower Guard)	1	44	089240040738	Power Cord.....	1	69	089240040131	Adjustable Nut	1
20	089240040904	Arbor Screw Direction Label	1	45	089041028911	Cordwrap Warning (Fr/Sp)	1	NOT SHOWN:			
21	089240040747	Gear Box Assembly	1	46	089240040708	Field	1	998000118	Operator's Manual (089240040907)		
22	089240040125	Spring.....	1	47	089240040034	Screw (M4 x 18 mm)	4	4-16-20			
23	089240040124	Rear Guard.....	1	48	089240040038	End Cap	1	(Rev:01)			
24	089240040161	Screw (M6 x 12mm, Phillips Hd.)...	1	49	089240040714	Brush Assembly	2				
25	089240040123	Bumper	1	50	089240040065	Brush Cap.....	2				



**FIGURE B /
FIGURA B**

SEE FIGURE C
VOIR LA FIGURE C
VEA LA FIGURA C



R4222T

PARTS LIST (FIGURE B)

KEY NO.	PART NUMBER	DESCRIPTION	QTY	KEY NO.	PART NUMBER	DESCRIPTION	QTY	KEY NO.	PART NUMBER	DESCRIPTION	QTY
1	089240040103	Rail (Right).....	1	19	089240040093	Screw (M6 x 25 mm).....	2	37	089240040076	Stop Plate	1
2	089240040102	Head Lock Pin.....	1	20	089240040073	Wrench Holder	1	38	089240040079	Felt Seal	4
3	089240040110	O-Ring.....	1	21	089240040089	Blade Wrench.....	1	39	089240040083	Bevel Indicator (Right).....	1
4	089240040101	Knuckle Assembly.....	1	22	089240040099	Nut (M6)	2	40	089240040096	Screw (M4 x 10 mm)	2
5	089240040114	Shoulder Screw (M5).....	1	23	089240040230	Adjustment Knob	1	41	089240040735	Bevel Pivot Bracket Assembly (Incl. Key No. 42)	1
6	089240040109	Wavy Washer (M6)	1	24	089240040077	Knob.....	1	42	089241028907	Crown Setting Label	1
7	089240040100	Height Adjustment Plate	1	25	089240040078	Compression Spring	1	43	089240040091	Clip.....	2
8	089240040112	Screw (M5 x 8 mm)	2	26	089240040084	Bevel Indicator (Left)	1	44	089240040090	Washer (M6)	2
9	089240040108	Rubber Grommet	1	27	089240040116	Washer	2	45	089240040085	Bevel Bypass Lever	1
10	089240040118	Screw (M5 x 15 mm)	6	28	089240040119	Nut (M8)	1	46	089240040068	Bevel Lock Knob.....	1
11	089240040066	Dust Chute (Front).....	1	29	089240040067	Dust Cover	1	47	089240040097	Screw (M6 x 12mm, Phillips Hd.)..	3
12	089240040069	Dust Chute (Soft).....	1	30	089240040117	Clip.....	1	48	089240040086	Bevel Bypass Plate	1
13	089240040081	Bevel Detent Shaft	1	31	089240040071	Bevel Detent Scale.....	1	49	089240040070	Compression Spring	1
14	089240040106	Dust Chute (Rear).....	1	32	089240040095	Screw (M6 x 10 mm)	4	50	089240040105	Rail (Left)	1
15	089240040115	Strain Relief.....	1	33	089240040098	Shoulder Screw (M5).....	2	51	089240040094	Screw (M5 x 8 mm, Hex. Soc. Hd.).....	1
16	089240040107	Bracket (Rear Rail)	1	34	089240040074	Relief Paddle.....	2	52	089240040736	Head Lock Pin Assembly.....	1
17	089240040111	Screw w/Washer (M6 x 20 mm)	8	35	089240040075	Bearing Plate.....	2				
18	089240040072	Carry Handle	1	36	089240040092	O-Ring.....	1				

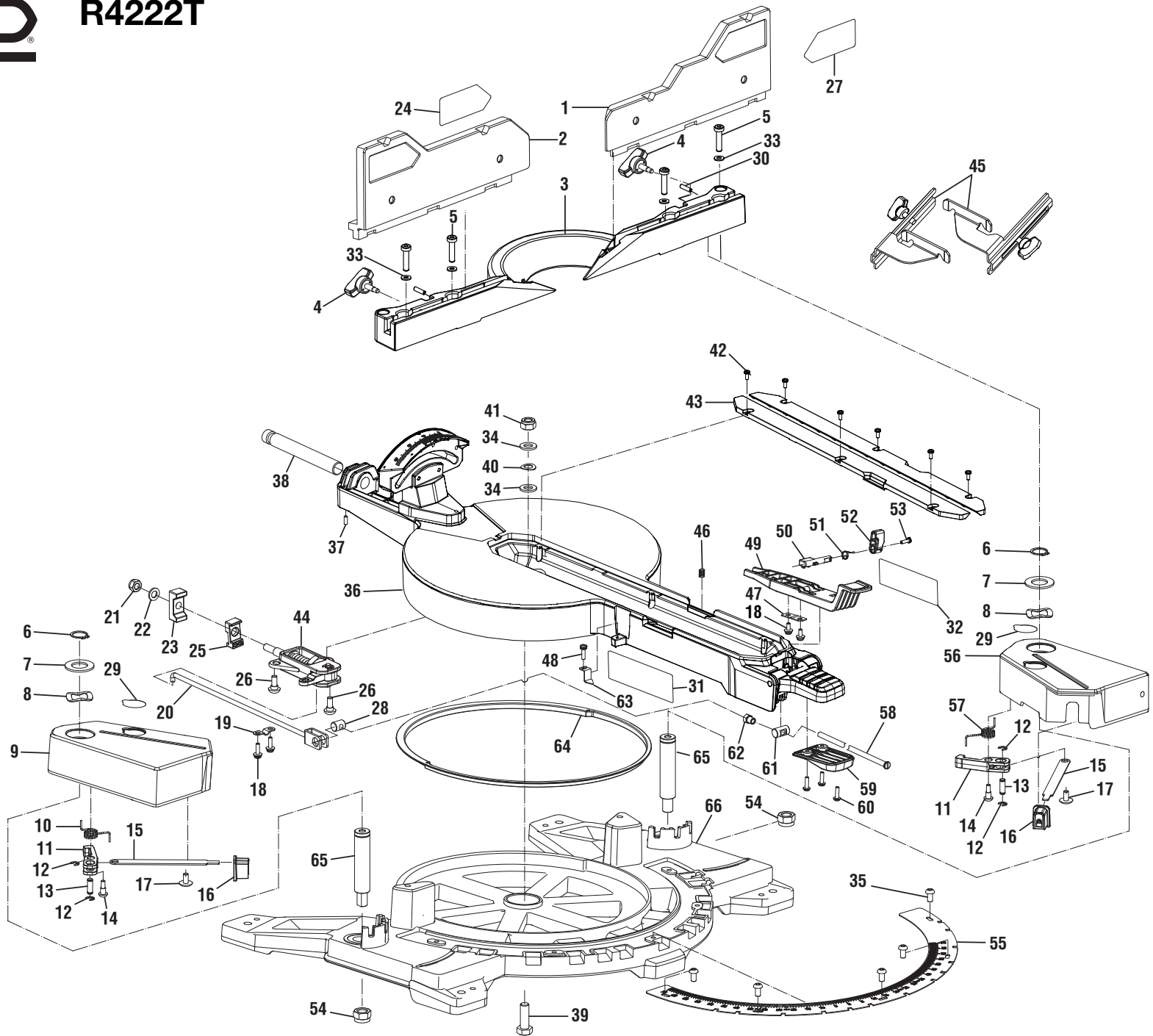


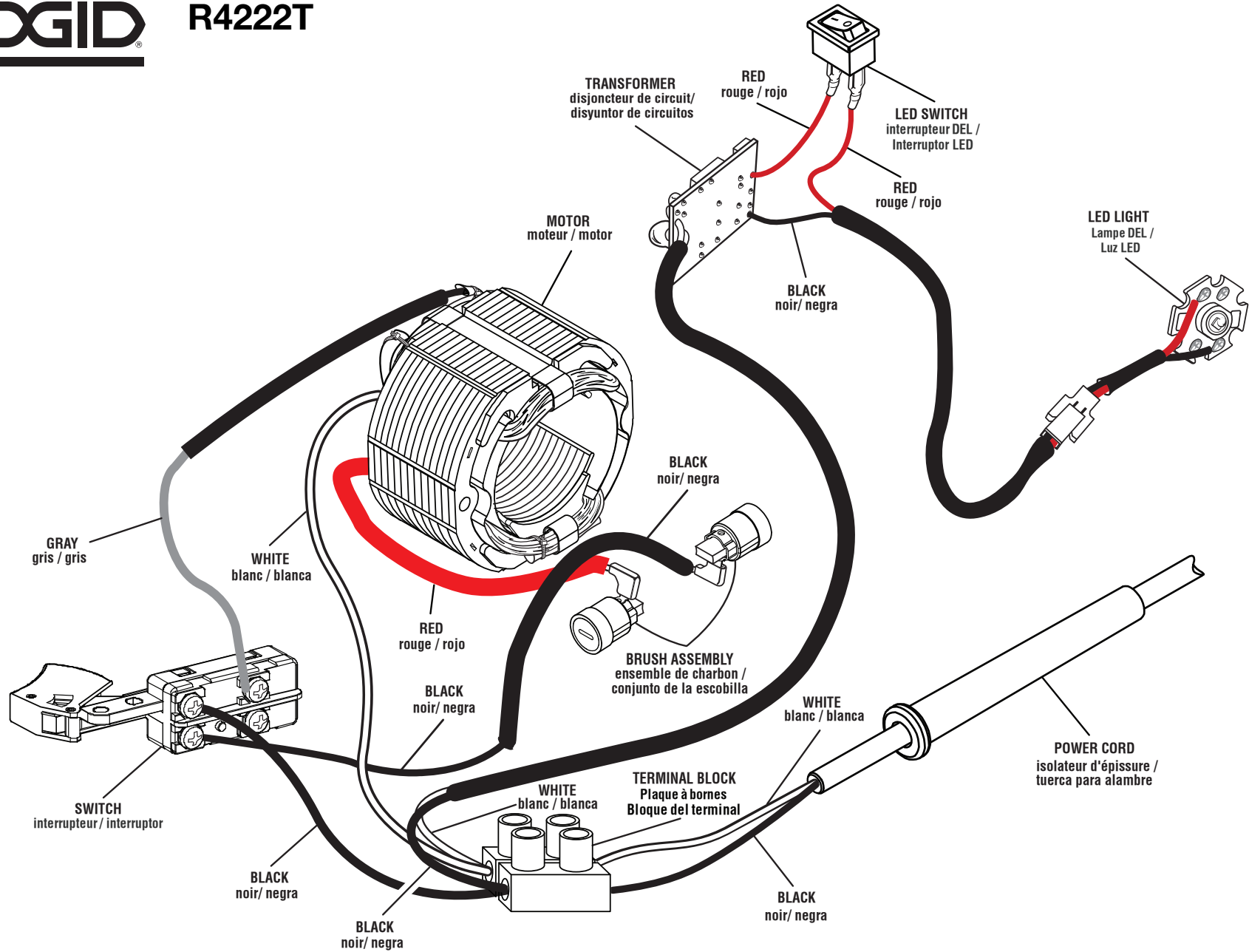
FIGURE C /
FIGURA C



R4222T

PARTS LIST (FIGURE C)

KEY NO.	PART NUMBER	DESCRIPTION	QTY	KEY NO.	PART NUMBER	DESCRIPTION	QTY	KEY NO.	PART NUMBER	DESCRIPTION	QTY
1	089240040740	Sliding Fence (Right) (Incl. Key No. 27)	1	22	089240040256	Washer (M8)	1	45	089240040732	Optional Crown Stop Kit	1
2	089240040741	Sliding Fence (Left) (Incl. Key No. 24)	1	23	089240040188	Rear Shoe	1	46	089240040236	Compression Spring	1
3	089240040252	Fixed Fence	1	24	089240013903	Sliding Fence Warning (Left)	1	47	089240040235	Plate	1
4	089240040253	Fence Lock Knob	2	25	089240040190	Front Shoe	1	48	089240040096	Screw (M4 x 10 mm)	1
5	089240040259	Screw (M8 x 20 mm, Round Hd.) ..	4	26	089240040261	Shoulder Screw (M6)	2	49	089240040231	Miter Detent Handle	1
6	089240040220	C Clip	2	27	089240013904	Sliding Fence Warning (Right)	1	50	089240040232	Shaft	1
7	089240040218	Washer (M18)	2	28	089240040194	Pin (M6)	1	51	089240040238	Torsion Spring	1
8	089240040219	Wavy Washer (M18)	2	29	089240013911	No-Hands Label (Base)	2	52	089240040233	Miter Bypass Lever	1
9	089240040743	Left Extension Table (Incl. Key No. 29)	1	30	089240040254	Screw (M6 x 12 mm)	2	53	089240040250	Screw (M4 x 10 mm)	1
10	089240040206	Spring	1	31	089240013909	Cut Direction Label	1	54	089240040222	Nut (M12)	2
11	089240040207	Table Detent	2	32	089241028906	Crown Instruction Label	1	55	089240040217	Miter Scale	1
12	089240040221	E-Clip	4	33	089240040255	Washer (M8)	4	56	089240040742	Right Extension Table (Incl. Key No. 29)	1
13	089240040208	Shaft	2	34	089240040243	Washer (M10)	2	57	089240040214	Spring	1
14	089240040209	Shoulder Screw (M6)	2	35	089240040095	Screw (M6 x 10 mm)	5	58	089240040200	Screw Rod	1
15	089240040210	Pull Plate	2	36	089240040734	Miter Table Assembly (Incl. Key Nos. 31-32)	1	59	089240040227	Miter Handle Cover	1
16	089240040212	Release Button	2	37	089240040156	Set Screw (M6 x 12 mm)	1	60	089240040248	Screw (M4 x 16 mm)	3
17	089240040211	Screw (M6 x 7 mm)	2	38	089240040204	Pivot Bracket Pin	1	61	089240040201	Shaft-Pivot	1
18	089240040246	Screw	4	39	089240040258	Bolt (M10 x 42 mm)	1	62	089240040199	Special Nut	1
19	089240040193	Clamp	1	40	089240040244	Saddle Washer (M10)	1	63	089240040224	Miter Indicator	1
20	089240040192	Shaft	1	41	089240040251	Lock Nut (M10)	1	64	089240040195	Cushion	1
21	089240040263	Nut (M8)	1	42	089240040183	Screw (M4 x 10 mm, Pan Hd.)	6	65	089240040213	Pin	2
				43	089240040228	Throat Plate Set	1	66	089240040216	Base	1
				44	089240040733	Miter Lock Assembly	1				



WIRING DIAGRAM
SCHÉMA DE CÂBLAGE
DIAGRAMA DE CABLEADO