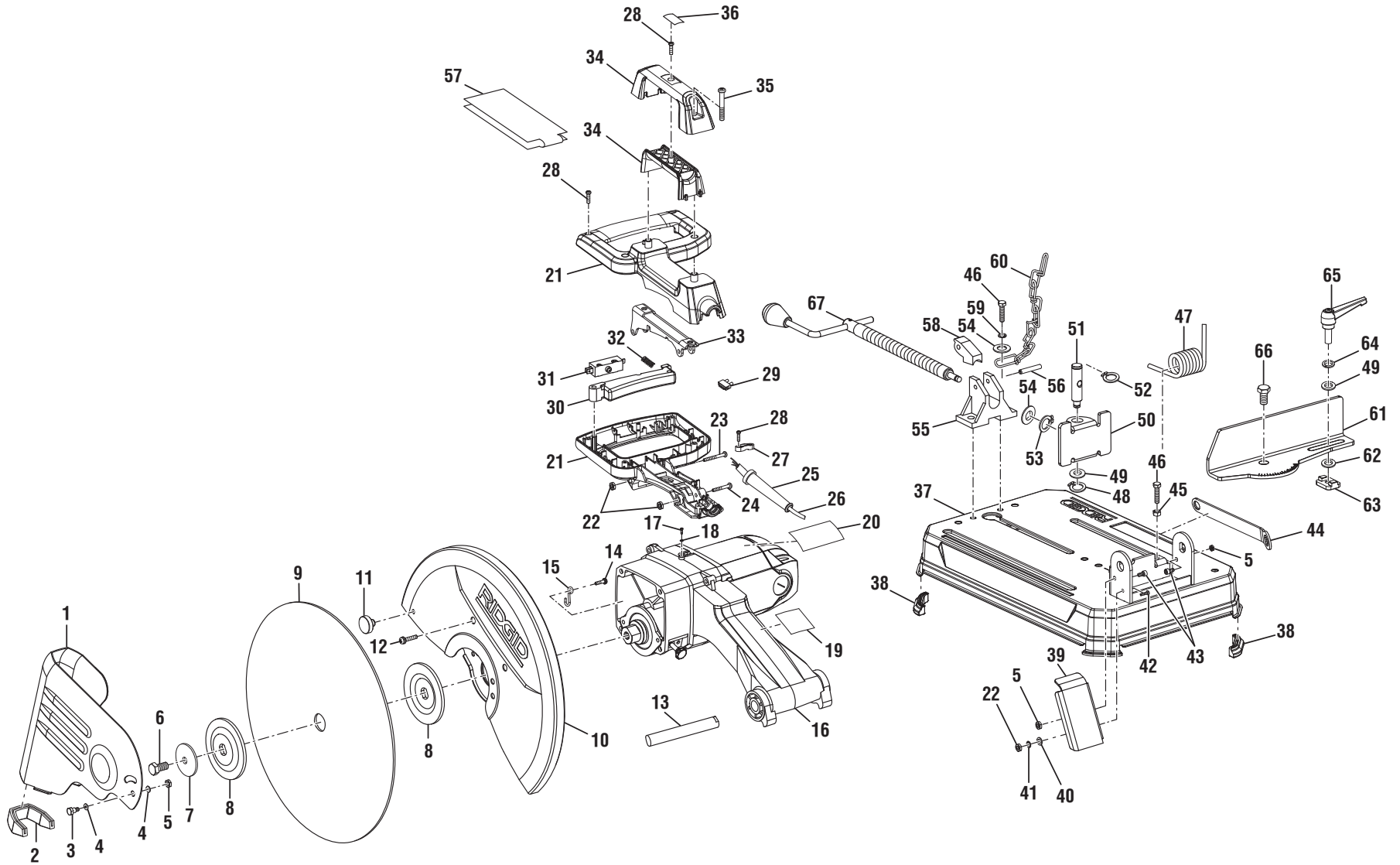


RIDGID
14 in. ABRASIVE CUT-OFF MACHINE
MODEL NO. R41421
REPAIR SHEET

RIDGID
TRONÇONNEUSE ABRASIVE DE 14 po (356 mm)
NUMÉRO DE MODÈLE R41421
FEUILLE DE RÉPARATION

RIDGID
TROCEADORA DE DISCO ABRASIV DE 14 pulg. (356 mm)
NÚMERO DE MODELO R41421
REPAIR SHEET

FIGURE A / FIGURA A

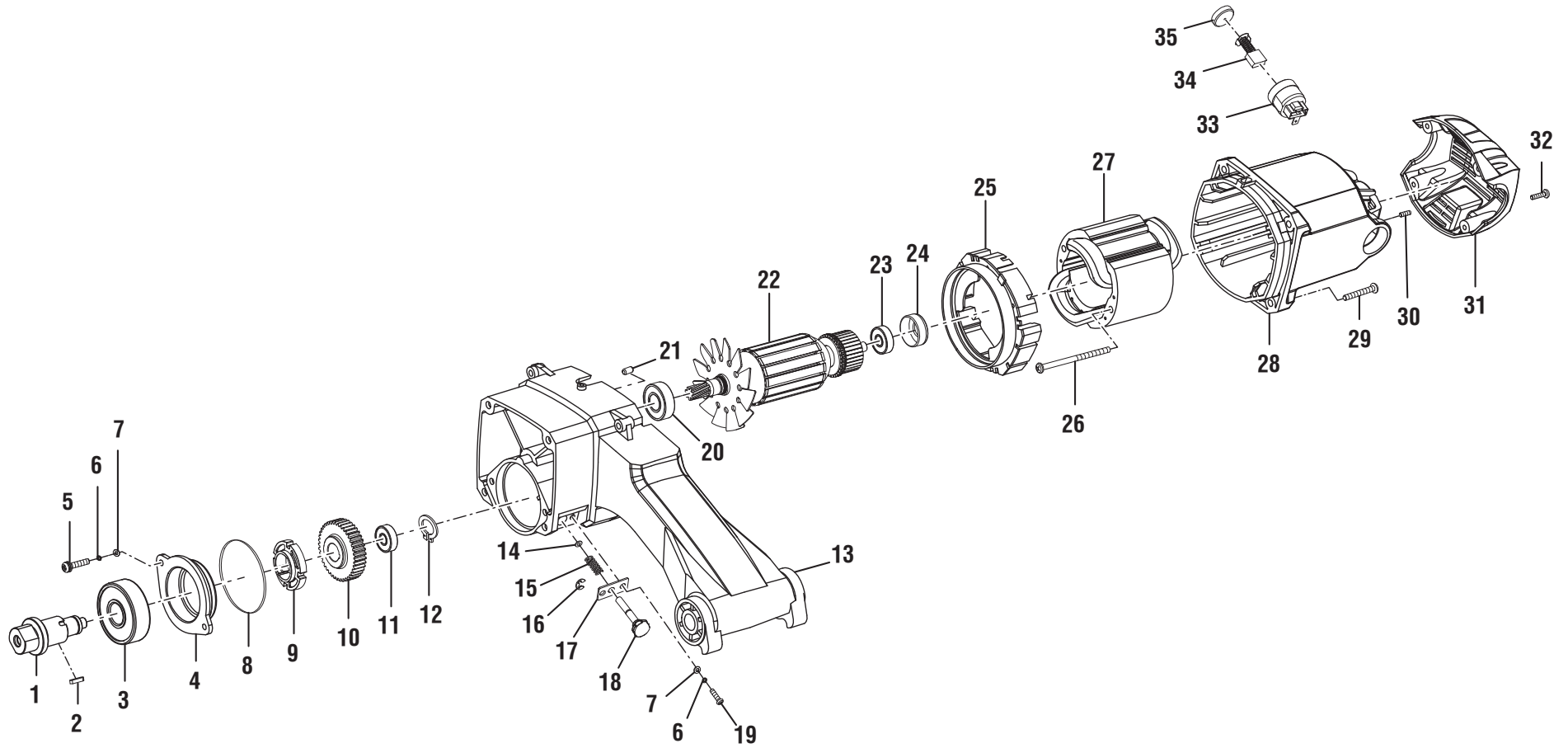




R41421

FIGURE A

KEY	P/N	DESCRIPTION	QTY	KEY	P/N	DESCRIPTION	QTY	KEY	P/N	DESCRIPTION	QTY
1	080029002005	Lower Wheel Guard.....	1	24	080029002029	Screw (M5 x 45 mm, Pan Hd.)	1	48	089029004004	Retaining Ring	1
2	080029002002	Rubber Bumper.....	1	25	080029002032	Bend Relief	1	49	080029002090	Washer (M10)	2
3	080029002003	Bolt (M6 x 12 mm, Hex. Hd.)	2	26	089210148002	Power Cord	1	50	080029002086	Clamp Plate.....	1
4	080029002004	Washer (6 mm)	4	27	080029002031	Cord Clamp	1	51	089029004007	Pin	1
5	080029002006	Lock Nut (M6).....	4	28	080029002030	Screw (M4 x 16 mm)	7	52	080029002088	Retaining Ring	1
6	080029002009	Bolt (M10 x 20 mm, Hex. Hd.) ..	1	29	080029002028	Terminal Block.....	1	53	080029002084	Retaining Ring	1
7	089029004005	Washer	1	30	080029002020	Switch Trigger Lever.....	1	54	080029002072	Washer (M8)	3
8	080029002008	Flange.....	2	31	080029002052	Trigger Switch.....	1	55	080029002076	Clamp Bracket	1
9	080029002001	Abrasive Wheel.....	1	32	080029002022	Compression Spring.....	1	56	080029002089	Spring Pin (6 x 35).....	1
10	080029002012	Upper Wheel Guard.....	1	33	080029002021	Handle Bracket.....	1	57	080029002903	Hang Tag	1
11	080029002010	Rubber Pad	2	34	089029004701	Carry Handle Assembly.....	1	58	080029002081	Quick Release Lever	1
12	080029002011	Screw (M6 x 10 mm, Pan Hd.)	4	35	080029002027	Screw (M6 x 48 mm, Pan Hd.)	2	59	080029002071	Spring Washer (M8).....	2
13	080029002013	Shaft	1	36	080029002900	Logo Label	1	60	089029004006	Chain (Hold Down)	1
14	080029002015	Screw (M5 x 16 mm, Pan Hd.)	1	37	089029004002	Base	1	61	080029002100	Fence.....	1
15	080029002014	Chain Hook.....	1	38	089029004003	Foot	3	62	089029004011	Shim Washer (OD32 x ID10 x 0.5t).....	1
16	089029004703	Motor Assembly	1	39	089029004001	Spark Deflector	1	63	080029002101	Tee Nut	1
17	080029002017	Screw (M4 x 10 mm, Pan Hd.)	1	40	080029002049	Spring Washer (M5).....	1	64	080029002091	Spring Washer (M10).....	1
18	080029002016	Retaining Ring	1	41	080029002050	Washer (M5)	1	65	080029002098	Fence Lock Lever.....	1
19	089210148901	Data Label	1	42	080029002096	Set Screw (M6 x 14 mm, Hex Hd.)	1	66	080029002099	Bolt (M10 x 20 mm)	1
20	080029002901	Warning Label	1	43	080029002097	Screw (M5 x 14 mm, Pan Hd.)	2	67	089029004704	Screw w/Handle Assembly.....	1
21	089210148201	Handle Assembly	1	44	080029002104	Wrench	1	Not Shown:			
22	080029002018	Hex Nut (M5)	3	45	080029002093	Hex Nut (M8)	1	990000628	Operator's Manual		
23	080029002034	Screw (M5 x 35 mm, Pan Hd.)	1	46	080029002082	Bolt (M8 x 30 mm, Hex. Hd.)	3	5-1-17			
				47	089029004008	Torsion Spring	1	(Rev:02)			





R41421

FIGURE B

KEY	P/N	DESCRIPTION	QTY	KEY	P/N	DESCRIPTION	QTY
1	080029002035	Spindle	1	19	080029002048	Screw (M5 x 10 mm, Pan Hd.)	2
2	080029002036	Key (4 x 4 x 12)	1	20	080029002051	Ball Bearing (6202-2RS)	1
3	080029002037	Ball Bearing (6205-RZ)	1	21	080029002067	Rubber Plug	1
4	080029002038	Bearing Retainer.....	1	22	080029002702	Armature Assembly (Inc. Key Nos. 20 and 23).....	1
5	080029002068	Screw (M5 x 20 mm, Pan Hd.)	2	23	080029002042	Ball Bearing (629-2Z).....	1
6	080029002049	Spring Washer (M5).....	4	24	080029002056	Bearing Seat.....	1
7	080029002050	Washer (M5)	4	25	080029002057	Baffle	1
8	080029002039	O-Ring	1	26	080029002058	Screw (M5 x 80 mm)	2
9	080029002040	Spindle Brake	1	27	080029002059	Field Assembly	1
10	080029002041	Gear.....	1	28	080029002060	Motor Housing.....	1
11	080029002055	Ball Bearing (6000-2Z).....	1	29	080029002061	Screw (M6 x 25 mm, Pan Hd.)	4
12	080029002043	Retaining Ring	1	30	080029002062	Set Screw (M5 x 8 mm, Hex Hd.).....	2
13	080029002053	Pivot Arm.....	1	31	080029002063	End Cap.....	1
14	089029004010	Felt Washer (OD11x ID5.8 x 2t).....	1	32	080029002030	Screw (M4 x 16 mm)	4
15	080029002044	Compression Spring.....	1	33	080029002066	Brush Holder	2
16	080029002045	Retaining Ring	1	34	080029002065	Brush Assembly	2
17	080029002046	Lock Bracket	1	35	080029002064	Brush Cap	2
18	080029002047	Lock Pin.....	1				