

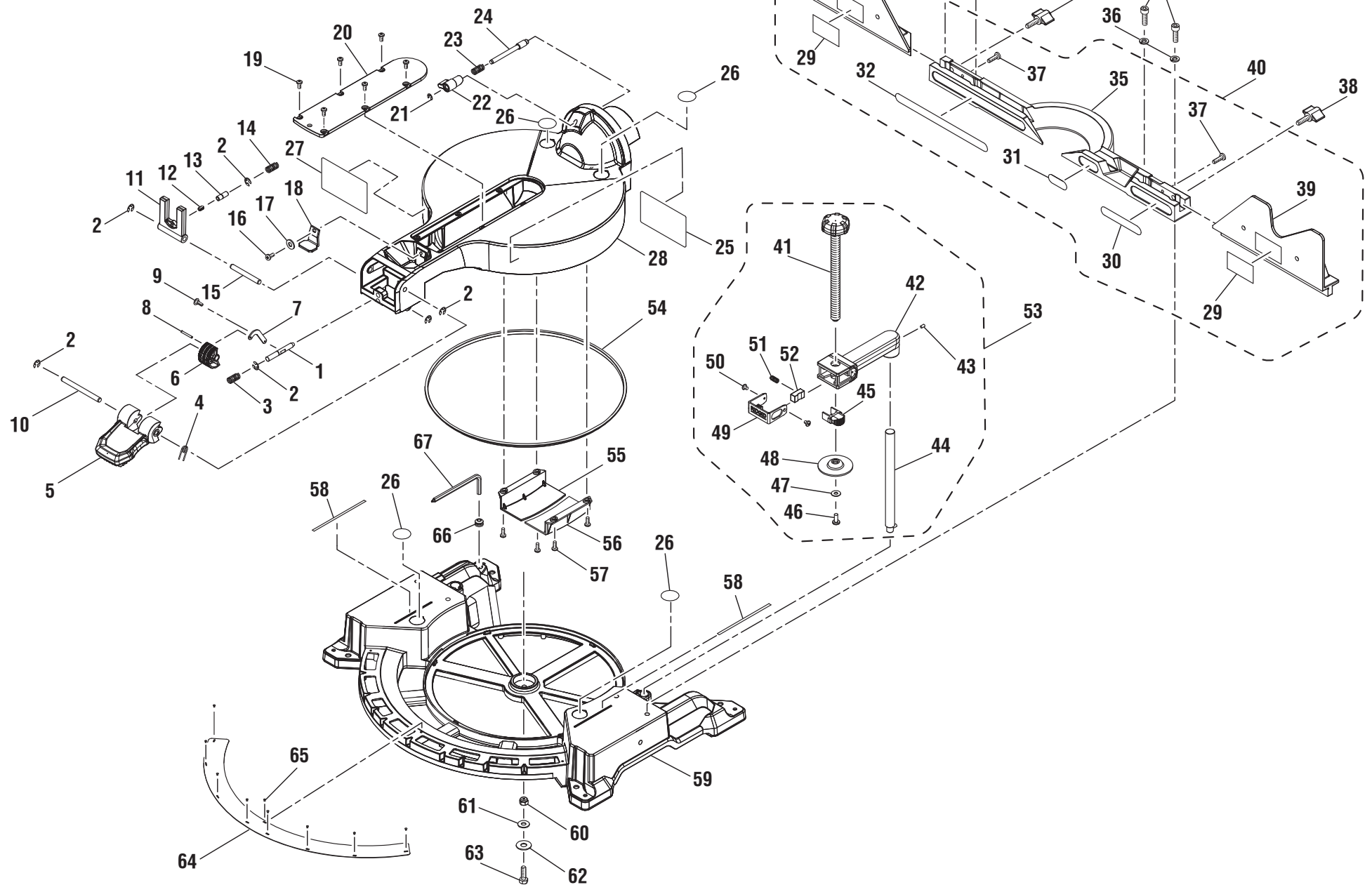


R4121

PARTS LIST FOR FIGURE A

KEY NO.	PART NUMBER	DESCRIPTION	QTY	KEY NO.	PART NUMBER	DESCRIPTION	QTY
1	089077001707	LOWER BLADE GUARD ASSEMBLY.....	1	18	089077001114	* BOLT (M8 x 38 mm, HEX SOC. HD.).....	1
2	A19007050120	* BLADE BOLT COVER SCREW (M5 x 12 mm, PAN HD.)...	1	19	A35070818150	* WASHER (D8 x D16 x 1.5t).....	1
3	558407100	* SCREW {M5 (13.6) x 9 mm, SHOULDER}.....	1	20	503206000	CAP	1
4	089077001712	BEVEL LOCK LEVER.....	1	21	503205000	FIXED PIN.....	1
5	A18003050054	* SET SCREW (M5 x 5 mm)	1	22	A630000000062	O-RING (P6).....	1
6	089077001052	CAM.....	1	23	545208000	PIVOT SHAFT	1
7	A49010020056	RIVET (D2.5 x 5 mm)	2	24	089077001037	PIVOT SUPPORT.....	1
8	089077001038	BEVEL SCALE	1	25	089077001152	* SCREW (M6 x 12 mm HEX SOC. HD.).....	2
9	089077001050	* WASHER (D12 x D20 x 1.5t).....	1	26	089077001044	BEVEL LOCK PLATE	1
10	089077001113	STOP SCREW (M8 x 12 mm)	1	27	A10003040100	* SCREW (M4 x 10 mm, PAN HD.).....	2
11	A18003040080	* SET SCREW (M4 x 8 mm)	1	28	A35030410018	* WASHER (D4 x D10 x1t).....	2
12	089077001118	SCREW (M6 x 8 mm).....	1	29	089077001039	BEVEL INDICATOR.....	2
13	089077001041	* BOLT (M8 x 16 mm, HEX HD.).....	1	30	089077001051	E-CLIP (E9)	2
14	089077001042	* HEX NUT (M8)	1	31	089100207097	NO HANDS WARNING LABEL	1
15	089077001040	LOCK ROD	1	32	089077001902	WARNING LABEL.....	1
16	089077001053	* SET SCREW (M5 x 30 mm)	1	33	089077001702	PIVOT/PIVOT SUPPORT ASSEMBLY (INCL. KEY NOS. 4-11, 15-22 & 24-30) {NOT SHOWN}	1
17	089077001043	* BOLT (M8 x 25 mm).....	1				

* Standard Hardware Item – May Be Purchased Locally



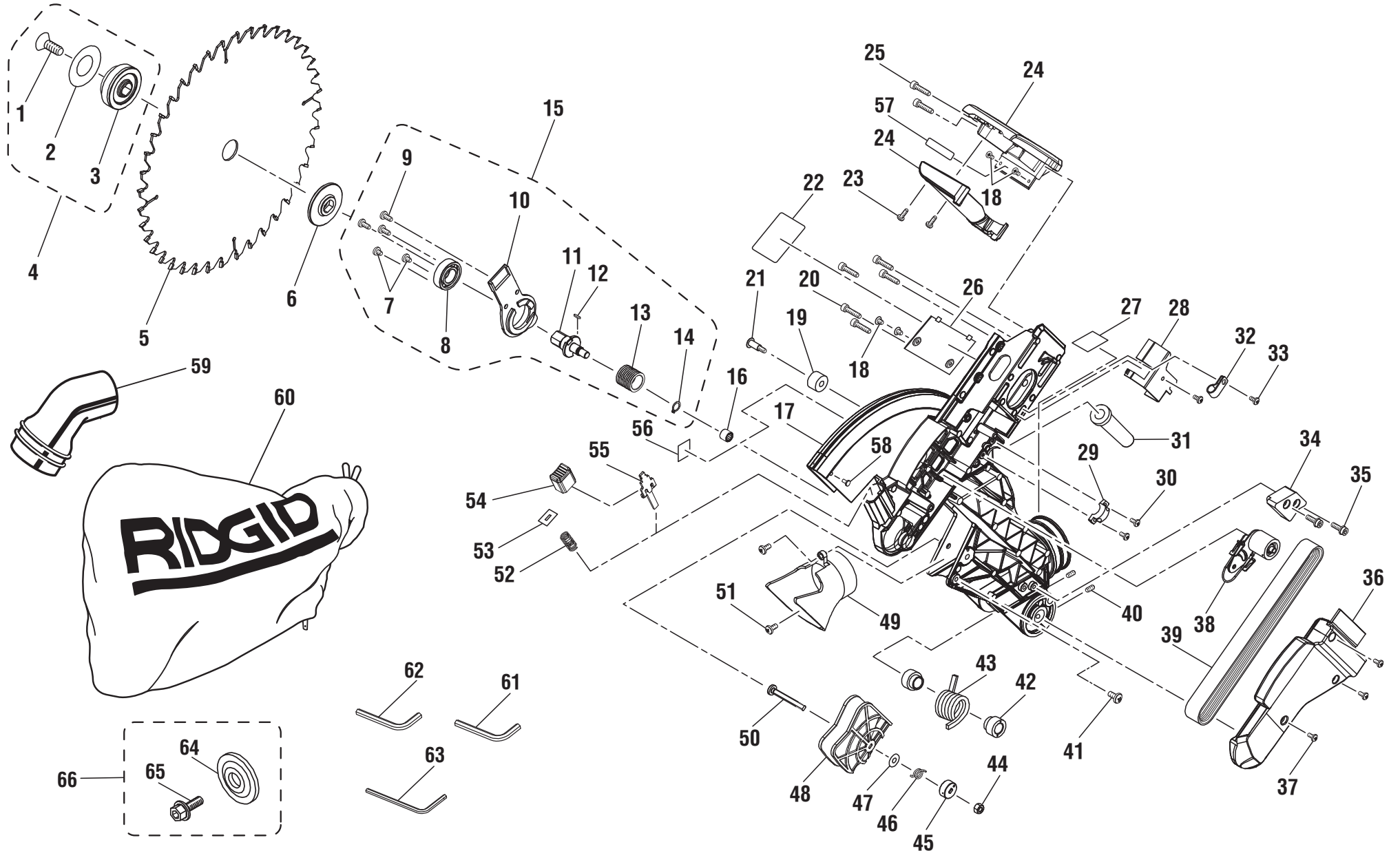


R4121

PARTS LIST FOR FIGURE B

KEY PART NO.	PART NUMBER	DESCRIPTION	QTY	KEY PART NO.	PART NUMBER	DESCRIPTION	QTY	KEY PART NO.	PART NUMBER	DESCRIPTION	QTY
1	089077001024	MITER LOCK PIN.....	1	26	089100207097	NO HANDS WARNING LABEL.....	4	46	A10003050150	* SCREW (M5 x 15 mm, PAN HD.).....	1
2	A47000060002	E-CLIP (E6).....	6	27	089077001028	LEFT CUT CAPACITY LABEL.....	1	47	A35031020300	* WASHER (D10 x D20 x 3t).....	1
3	089077001021	LONG SPRING (D10 x D1 x 20l).....	1	28	089077001004	MITER TABLE (INCL. KEY NO. 26).....	1	48	089077001131	LOCK PLATE.....	1
4	089077001027	TORSION SPRING.....	1	29	089077001904	SLIDING MITER FENCE WARNING LABEL.....	2	49	089077001133	KNOB COVER.....	1
5	089077001014	MITER LOCK LEVER.....	1	30	089077001035	RIGHT REPEAT-A-CUT™ LABEL.....	1	50	A10003060158	* SCREW (M6 x 15 mm, FLAT HD.).....	2
6	089077001020	THUMBWHEEL.....	1	31	089077001034	SHORT REPEAT-A-CUT™ LABEL.....	1	51	089077001129	SPRING.....	1
7	089077001022	LINK.....	1	32	089077001033	LONG REPEAT-A-CUT™ LABEL.....	1	52	089077001127	QUICK CLAMP.....	1
8	080900189440	ROLL PIN (D3 x 25 mm).....	1	33	089077001032	LEFT SLIDING MITER FENCE.....	1	53	089077001708	WORK CLAMP ASSEMBLY (INCL. KEY NOS. 41-52).....	1
9	089077001023	SCREW (SHOULDER).....	1	34	089083001026	* SCREW (M8 x 25 mm, HEX SOC. HD.).....	4	54	089077001005	WEAR RING.....	1
10	089077001015	MITER LOCK SHAFT.....	1	35	089077001030	FENCE.....	1	55	089077001007	UNDER-TABLE BLADE GUARD (RIGHT).....	1
11	089077001016	MITER LOCK PRESS PLATE ...	1	36	A36030814204	* SPRING WASHER (M8).....	4	56	089077001006	UNDER-TABLE BLADE BLADE GUARD (LEFT).....	1
12	080049001510	* SET SCREW (M6 x 10 mm).....	1	37	A10003060203	* SCREW (M6 x 20 mm, PAN HD.).....	2	57	A19003050120	* SCREW (M5 x 12 mm, PAN HD.).....	4
13	089077001018	FIXED CLAMP.....	1	38	089077001036	FENCE SCREW.....	2	58	089077001002	WARNING LINE LABEL.....	2
14	089077001019	SHORT SPRING (D10 x D1 x 10l).....	1	39	089077001031	RIGHT SLIDING MITER FENCE.....	1	59	089077001001	BASE ASSEMBLY (INCL. KEY NOS. 26, 58, 64, AND 65).....	1
15	089077001017	MITER LOCK PRESS PLATE SHAFT.....	1	40	089077001701	FENCE ASSEMBLY (INCL. KEY NOS. 29-33, 35, 37 AND 39)....	1	60	089077001011	* LOCK NUT (M8 x 13 mm).....	1
16	A10003050105	* SCREW (M5 x 10 mm, PAN HD.).....	1	41	089077001125	WORK CLAMP KNOB.....	1	61	089077001009	* WASHER (D8.2 x D20 x 1.5t) ...	1
17	089077001013	* WASHER (D5 x D10 x 1t).....	1	42	089077001126	WORK CLAMP BASE.....	1	62	089077001010	* WASHER (D10.4 x D26 x 1.5t) .	1
18	089077001012	MITER INDICATOR.....	1	43	A18003050109	* SET SCREW (M5 x 10 mm).....	1	63	089077001008	* BOLT (M8 x 25 mm, HEX HD.) .	1
19	A10003050105	* SCREW (M5 x 10 mm, PAN HD.).....	6	44	089077001128	WORK CLAMP SHAFT.....	1	64	089077001003	MITER SCALE.....	1
20	089077001112	THROAT PLATE.....	1	45	089077001132	QUICK RELEASE KNOB.....	1	65	A49010020056	RIVET (D2.5 x 5 mm).....	9
21	089077001026	E-CLIP (E5).....	1					66	558109005	GROMMET.....	1
22	089077001025	BEVEL LOCK PIN KNOB.....	1					67	A07810621000	BLADE WRENCH (M6 mm x 120 mm HEX KEY) ..	1
23	089100110016	BEVEL LOCK PIN SPRING.....	1					68	089077001700	BASE AND TABLE ASSEMBLY (INCL. KEY NOS. 1-28 & 55-65) {NOT SHOWN}.....	1
24	089100110015	BEVEL LOCK PIN.....	1								
25	089077001029	RIGHT CUT CAPACITY LABEL.....	1								

* Standard Hardware Item – May Be Purchased Locally



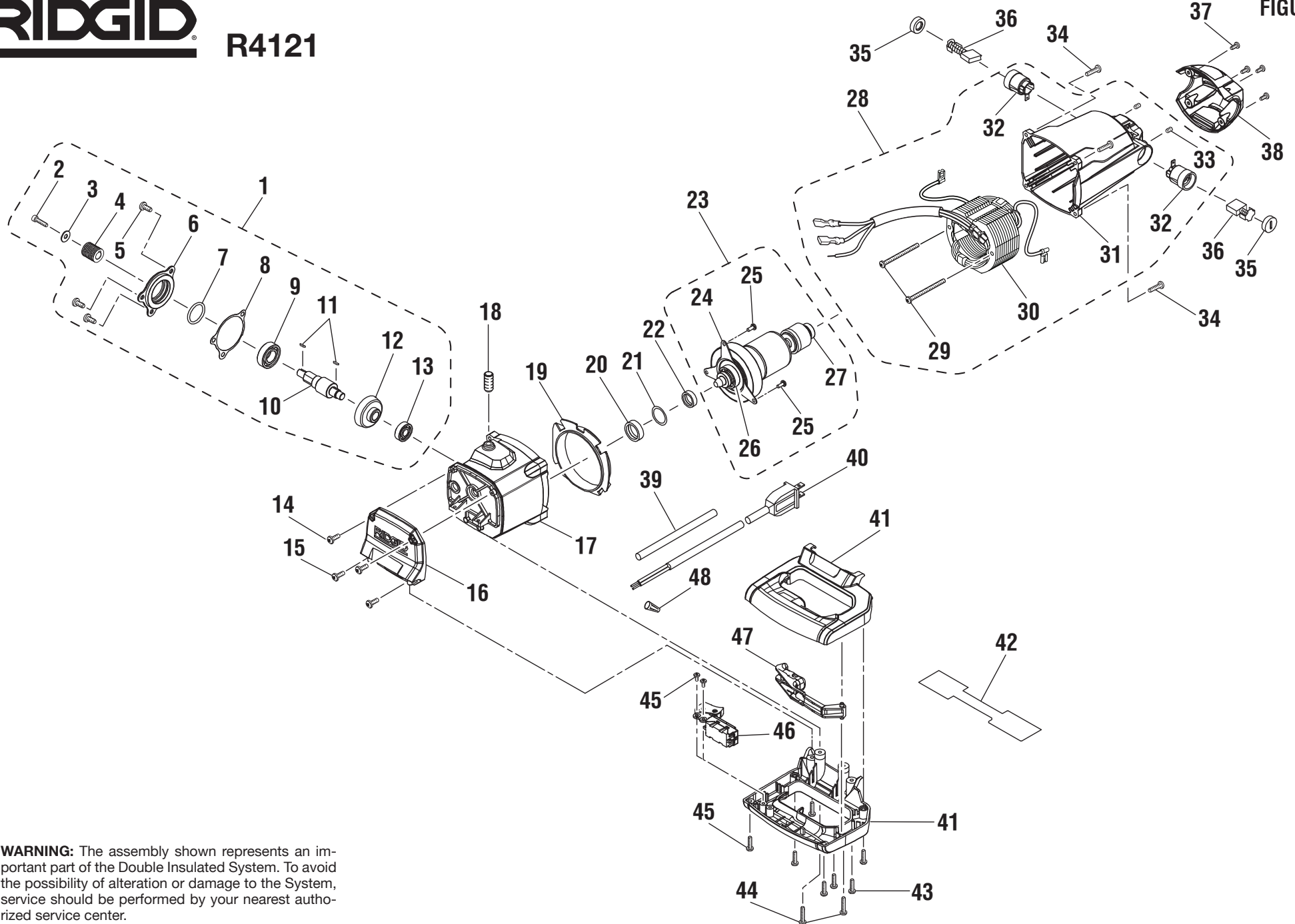


R4121

PARTS LIST FOR FIGURE C

KEY PART NO.	PART NUMBER	DESCRIPTION	QTY	KEY PART NO.	PART NUMBER	DESCRIPTION	QTY	KEY PART NO.	PART NUMBER	DESCRIPTION	QTY
1	089100300731	* LASER GUIDE BLADE BOLT (M10 x 30 mm)	1	22	089077001903	WARNING LABEL	1	43	089077001119	TORSION SPRING	1
2	089100300727	ADJUSTABLE LASER LABEL	1	23	089077001077	* SCREW (M4 x 22 mm, PAN HD.)	2	44	A31703006004	* LOCK NUT (M6)	1
3	089100300724	ADJUSTABLE LASER	1	24	089077001711	CARRYING HANDLE ASSEMBLY	1	45	089077001083	SMALL ROTATION COVER	1
4	089100300720	ADJUSTABLE LASER ASSEMBLY (INCL. KEY NOS. 1-3)	1	25	A07003050200	* BOLT (M5 x 20 mm, HEX SOC. HD.)	2	46	089077001084	SPRING	1
5	089077001123	BLADE (12 in., 60T)	1	26	089077001087	BELT COVER PLATE	1	47	089077001085	FELT WASHER	1
6	089077001122	INNER BLADE WASHER	1	27	089077001901	DATA LABEL	1	48	089077001081	BLADE ROTATION COVER	1
7	089077001097	* SCREW (M5 x 6 mm)	2	28	089077001086	UPPER BELT COVER	1	49	089077001124	DUST CHUTE	1
8	A50060030041	BALL BEARING (6003 LLU/CM/5K)	1	29	578313006	CORD CLAMP	1	50	089077001082	BLADE ROTATION COVER SHAFT	1
9	089077001060	* SCREW (M5 x 12 mm, PAN HD.)	3	30	089077001076	* SCREW (M4 x 10 mm, PAN HD.)	2	51	A10003050120	* SCREW (M5 x 12 mm, PAN HD.)	2
10	089077001094	BEARING COVER	1	31	588004100	BEND RELIEF (D16 x D24 x 70 mm)	1	52	089077001057	SPRING	1
11	089077001095	GEAR SHAFT	1	32	E07000846157	CORD CLAMP	1	53	089077001056	FELT	1
12	A45204040080	* KEY (4 x 4 x 8 mm)	1	33	089077001092	* SCREW (M5 x 10 mm, PAN HD.)	2	54	089077001055	SPINDLE LOCK CAP	1
13	089077001096	LARGE PULLEY	1	34	089077001151	STOP BLOCK	1	55	089077001058	SPINDLE LOCK	1
14	A46000100008	C-RING	1	35	089077001117	* BOLT (M5 x 15 mm, HEX SOC. HD.)	2	56	089077001906	LABEL	1
15	089077001704	OUTPUT GEAR SHAFT ASSEMBLY (INCL. KEY NOS. 7-14)	1	36	089077001080	LOWER BELT COVER	1	57	089077001907	WARNING LABEL	1
16	A53010100000	NEEDLE BEARING	1	37	A10003050150	* SCREW (M5 x 15 mm, PAN HD.)	3	58	089077001049	BUTTON	1
17	089077001150	UPPER SAW ARM	1	38	089077001093	IDLER PULLEY SYSTEM	1	59	089077001137	DUST GUIDE (ELBOW)	1
18	089077001088	SCREW	4	39	089077001078	BELT	1	60	089077001136	DUST BAG	1
19	503304000	BUMPER	1	40	A18003060106	* SET SCREW (M6 x 10 mm)	2	61	089077001138	* HEX KEY (M4 x 40 mm x 140 mm)	1
20	089077001079	* SCREW (M6 x 16 mm, HEX SOC. HD.)	5	41	A10003050120	* SCREW (M6 x 12 mm, PAN HD.)	1	62	089077001139	* HEX KEY (M5 x 40 mm x 140 mm)	1
21	503305000	SCREW (SHOULDER)	1	42	538327000	SPRING SPACER	2	63	089100300726	* HEX KEY (1/16 in.)	1
								64	558410100	OUTER BLADE WASHER	1
								65	558422100	BLADE BOLT	1
								66	089100110805	WASHER AND BOLT ASSEMBLY (INCL. KEY NOS. 64-65)	1

* Standard Hardware Item – May Be Purchased Locally



▲ WARNING: The assembly shown represents an important part of the Double Insulated System. To avoid the possibility of alteration or damage to the System, service should be performed by your nearest authorized service center.



R4121

PARTS LIST FOR FIGURE D

KEY PART NO.	PART NUMBER	DESCRIPTION	QTY	KEY PART NO.	PART NUMBER	DESCRIPTION	QTY	KEY PART NO.	PART NUMBER	DESCRIPTION	QTY
1	089077001706	GEAR SHAFT ASSEMBLY (INCL. KEY NOS. 2-13)	1	19	089077001061	BAFFLE	1	35	588005105	BRUSH CAP	2
2	A07013050150	* SCREW (M5 x 15 mm, HEX SOC. HD.)	1	20	089077001091	* OIL SEAL (D16 x D28 x 7t)	1	36	089100207107	BRUSH (17 x 17 x 7)	2
3	089077001100	* WASHER (D5 x D12 x 1.5t)	1	21	089077001090	O-RING (P32)	1	37	A90007040120	* SCREW (M4 x 12 mm, PAN HD.)	4
4	089077001101	SMALL PULLEY [6061 T6 (25.4) 9V]	1	22	089077001134	CAP	1	38	089077001062	MOTOR HOUSING END COVER	1
5	A10007060200	* SCREW (M6 x 20 mm, PAN HD.)	3	23	089077001713	ARMATURE ASSEMBLY (INCL. KEY NOS. 24-27)	1	39	089077001067	SLEEVE (230 mm)	1
6	089077001102	BEARING COVER	1	24	089077001135	BEARING PLATE	1	40	089077001068	POWER CORD	1
7	A63030001260	O-RING (AS-126)	1	25	A10003050105	* SCREW (M5 x 10 mm, PAN HD.)	3	41	089077001710	"D" HANDLE ASSEMBLY	1
8	089077001103	BEARING SEAL	1	26	A50060020056	BALL BEARING (6002 TU/TZ/CM/5C)	1	42	089077001905	HANG TAG LABEL	1
9	A50060030041	BALL BEARING (6003 LLU/CM/5K)	1	27	A50006080049	BALL BEARING (608 2RS C3)	1	43	089077001074	* SCREW (M5 x 30 mm, PAN HD.)	2
10	089077001105	GEAR SHAFT	1	28	089077001705	MOTOR HOUSING W/FIELD ASSEMBLY (INCL. KEY NOS. 29-33)	1	44	089077001075	* SCREW (M5 x 35 mm, PAN HD.)	2
11	A45203030080	* KEY (3 x 3 x 8 mm)	2	29	A90107050600	* SCREW (M5 x 60 mm PAN HD.)	2	45	A90007040120	* SCREW (M4 x 12 mm, PAN HD.)	7
12	089077001104	SPIRAL GEAR	1	30	089077001099	FIELD ASSEMBLY	1	46	089077001072	SWITCH	1
13	A50060000027	BALL BEARING (6000zz)	1	31	089077001098	MOTOR HOUSING	1	47	089077001071	TRIGGER	1
14	089077001076	* SCREW (M4 x 10 mm, PAN HD.)	2	32	089100207106	BRUSH HOLDER	2	48	623173005	WIRE NUT	1
15	089077001059	* SCREW (M5 x 6 mm)	2	33	089100200159	* SET SCREW (M5 x 5 mm)	2		983000825	OPERATOR'S MANUAL	
16	089077001073	GEAR HOUSING END CAP	1	34	089077001065	* SCREW (M5 x 18 mm, PAN HD.)	4		4-03-08		
17	089077001063	GEAR HOUSING	1						(REV:06)		

* Standard Hardware Item – May Be Purchased Locally