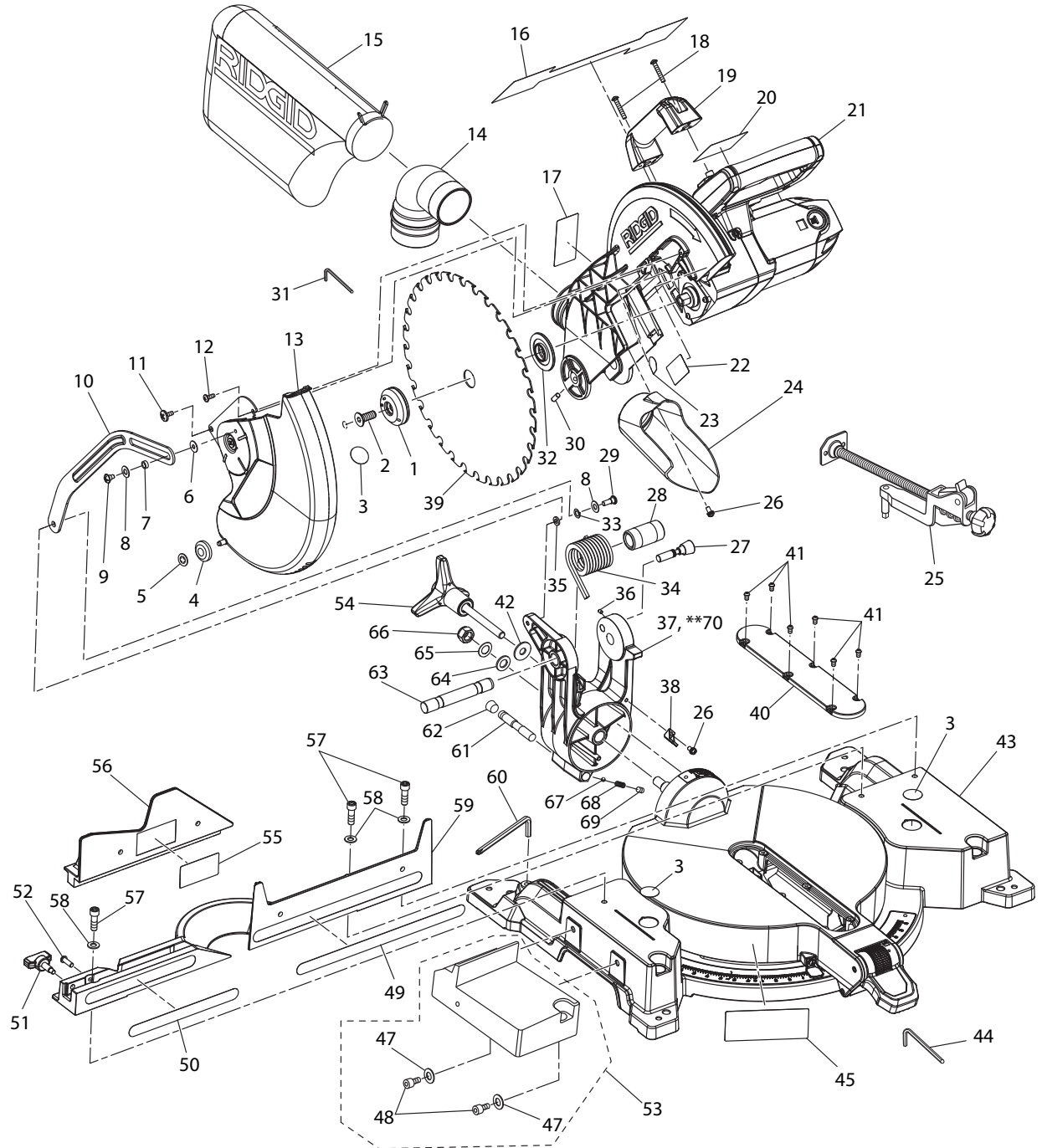


RIDGID® R4120

The model number will be found on a plate attached to the motor housing. Always mention the model number in all correspondence regarding your **MITER SAW** or when ordering repair parts.

Le numéro de modèle se trouve sur une plaquette fixée sur le boîtier du moteur. Ne jamais oublier de mentionner le numéro de modèle dans toute correspondance concernant la **SCIE À ONGLETS** ou lors de la commande de pièces détachées.

El número de modelo se encuentra en una placa adherida a la caja del motor. Siempre mencione el número del modelo en toda la correspondencia relacionada con la **SIERRA INGLETEADORA** o al pedir piezas para repararla.



▲ **WARNING:** The assembly shown represents an important part of the Double Insulated System. To avoid the possibility of alteration or damage to the System, service should be performed by your nearest authorized service center.

▲ **AVERTISSEMENT :** L'ensemble illustré représente une partie importante du système à isolation double. Afin d'éviter la possibilité de modification ou de dommage au système, la réparation ne doit être effectuée que par votre centre de réparation centre commercial autorisé.

▲ **ADVERTENCIA:** El conjunto que se ilustra representa una parte importante del Sistema de Aislamiento Doble. Para evitar la posibilidad de alteración o daño del sistema, la reparación debe ser efectuada en su centro de servicio autorizado.

FIGURE A

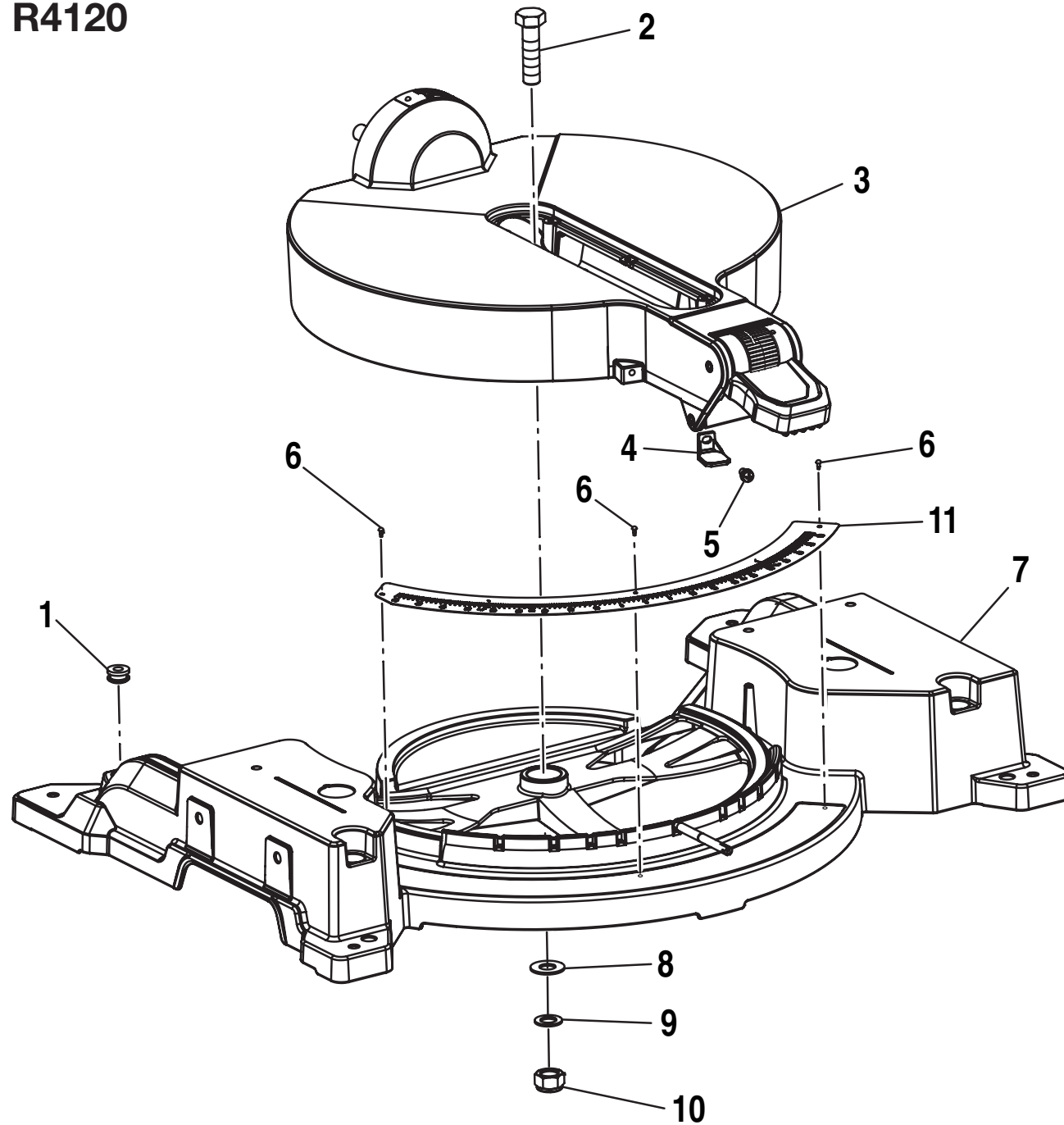


R4120

PARTS LIST FOR FIGURE A

Key No.	Part Number	Description	Qty.	Key No.	Part Number	Description	Qty.
1	089100300724	ADJUSTABLE LASER	1	37	089028007003	PIVOT	1
2	089100206004	LASER SCREW (M10 x 35.5 mm).....	1	38	089028007014	BEVEL INDICATOR	1
3	089028007709	NO HANDS WARNING LABEL.....	3	39	089028007041	BLADE (40T).....	1
4	089028007143	ROLLER	1	40	089028007011	THROAT PLATE.....	1
5	089028007144	PUSH NUT	1	41	089028007050	SCREW (M5 x 8 mm)	6
6	089028007070	WASHER	1	42	089028007056	WASHER	1
7	089028007016	SPACER	1	43	089028007901	BASE ASSEMBLY	1
8	089028007045	WASHER	2	44	089028007145	HEX KEY (M4 x 70 mm)	1
9	089028007068	SCREW (M5 x 0.8 mm)	1	45	089028007703	CROWN MOLDING LABEL	1
10	089028007069	ACTUATOR LINK	1	47	089028007133	WASHER	2
11	089028007066	SHOULDER SCREW (10-32 x 1/2 in.).....	1	48	089028007043	SCREW (5/16-18 x 5/8 in.).....	2
12	089028007067	SCREW (10-32 x 1/2 in.)	1	49	089028007705	FENCE LABEL (RIGHT).....	1
13	089028007904	LOWER BLADE GUARD ASSEMBLY (INC. KEY NOS. 3-5)	1	50	089028007704	FENCE LABEL (LEFT)	1
14	089028007017	DUST GUIDE (ELBOW)	1	51	089028007037	FENCE SCREW.....	1
15	089028007140	DUST BAG	1	52	089028007063	SCREW (M6 x 18 mm)	1
16	089028007708	LASER WARNING LABEL (HANG TAG).....	1	53	089028007905	EXTENSION TABLE ASSEMBLY (INC. KEY NOS. 47-48)	1
17	089028007700	DATA LABEL.....	1	54	089028007013	BEVEL LOCK KNOB	1
18	089028007060	SCREW (M5 x 30 mm)	2	55	089028007706	SLIDING MITER FENCE WARNING LABEL.....	1
19	089028007033	CARRY HANDLE	1	56	089028007005	SLIDING MITER FENCE.....	1
20	089028007701	MOTOR WARNING LABEL	1	57	089028007061	SCREW	3
21	089028007903	MOTOR ASSEMBLY (SEE FIGURE C)	1	58	089028007062	WASHER	3
22	089028007707	UPPER GUARD WARNING LABEL.....	1	59	089028007007	FENCE.....	1
23	089028007065	ARBOR BOLT LABEL.....	1	60	089028007074	BLADE WRENCH (1/4 in. x 120 mm).....	1
24	089028007025	DUST CHUTE.....	1	61	089028007092	LOCKING PIN	1
25	089028007913	WORK CLAMP ASSEMBLY	1	62	089028007012	RUBBER CAP	1
26	089028007044	SCREW w/WASHER (M5 x 12 mm)	1	63	089028007057	PIVOT BOLT	1
27	089028007910	INDEX PIN ASSEMBLY	1	64	089028007053	WASHER	1
28	089028007015	TORSION SPRING SPACER.....	1	65	089028007054	WAVY WASHER	1
29	089028007071	SCREW (M6 x 15 mm)	1	66	089028007046	LOCK NUT (M12)	1
30	089028007059	SET SCREW (M6 x 16 mm).....	1	67	089028007093	STEEL BALL.....	1
31	089100300726	HEX KEY (1/16 in.)	1	68	089028007094	SPRING	1
32	089100300033	INNER BLADE FLANGE.....	1	69	089028007095	SCREW (M6 x 10 mm)	1
33	089028007072	WAVY WASHER	1	70	089028007902	** PIVOT ASSEMBLY (INC. KEY NOS. 37, 61-62 AND 67-69)	1
34	089028007058	TORSION SPRING	1				
35	089028007073	WASHER (D6.4 x D12 x 2t)	1				
36	089028007055	SET SCREW (M4 x 5 mm).....	1				

** Complete Assembly





R4120

PARTS LIST FOR FIGURE B

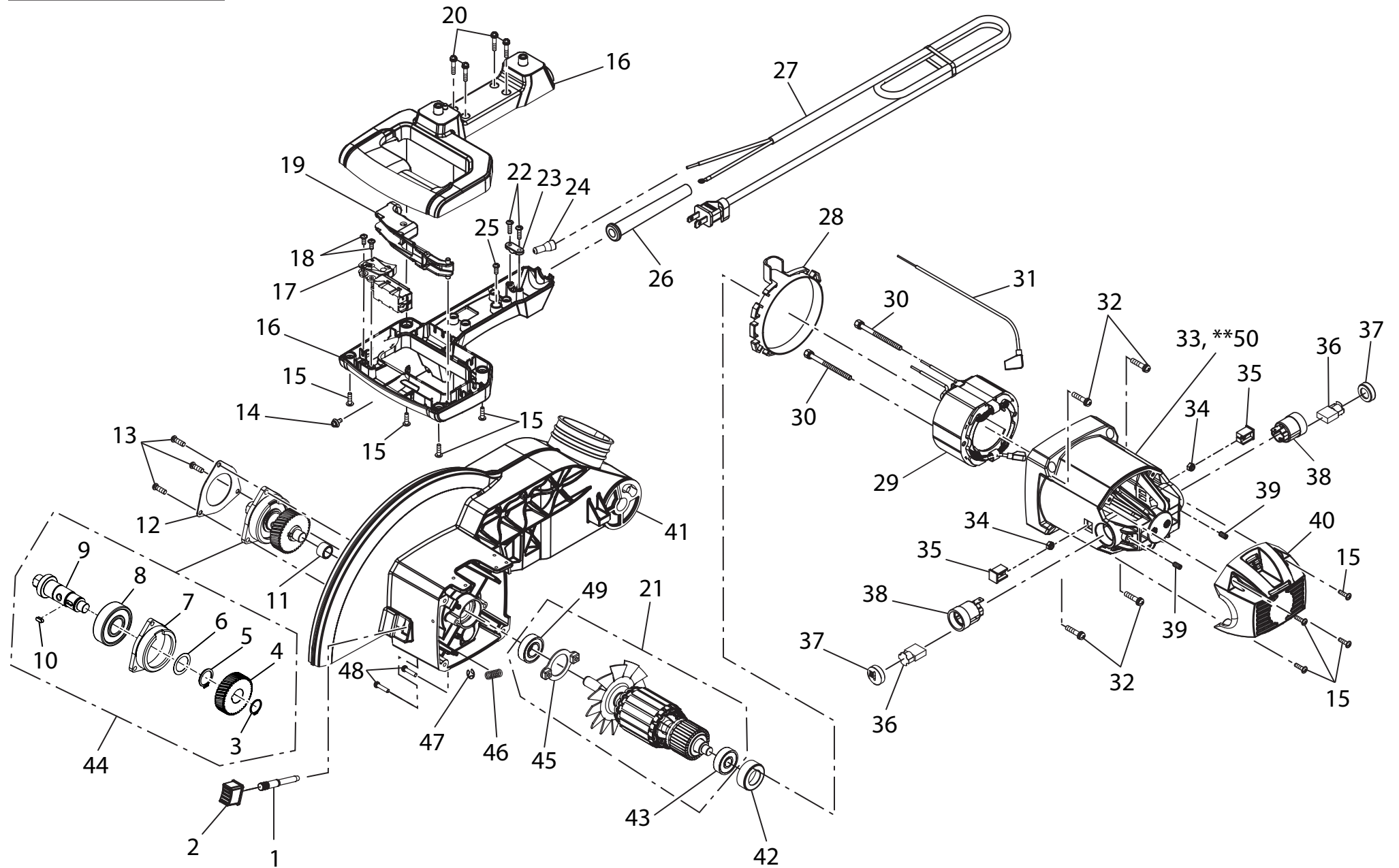
Key No.	Part Number	Description	Qty.
1	089028007018	WRENCH GROMMET	1
2	089028007075	BOLT (M12 x 45 mm)	1
3	089028007907	TABLE ASSEMBLY	1
4	089028007020	MITER SCALE INDICATOR	1
5	089028007044	SCREW w/WASHER (M5 x 12 mm)	1
6	089028007048	RIVET	3
7	089028007004	BASE	1
8	089028007076	WASHER (12 x 25 x 1.5t)	1
9	089028007077	WASHER (12 x 20 x 1.5t)	1
10	089028007046	LOCK NUT (M12)	1
11	089028007710	MITER SCALE	1

LISTA DE PIEZAS DE LA FIGURA B

Ref.	N/P	Descripción	Cant.
1	089028007018	HOJA PARA LA LLAVE.....	1
2	089028007075	PERNO (M12 x 45 mm).....	1
3	089028007907	CONJUNTO DE LA MESA	1
4	089028007020	INDICADOR DE ESCALA DE INGLETES	1
5	089028007044	TORNILLO CON ARANDELA (M5 x 12 mm).....	1
6	089028007048	REMACHE.....	3
7	089028007004	BASE	1
8	089028007076	ARANDELA (12 x 25 x 1.5t).....	1
9	089028007077	ARANDELA (12 x 20 x 1.5t).....	1
10	089028007046	ÉCROU DE BLOCAGE (M12).....	1
11	089028007710	ESCALA DE INGLETES.....	1

LISTE DES PIÈCES DE LA FIGURE B

Pièce	Référence	Description	Qté.
1	089028007018	CEILLET DE CLÉ.....	1
2	089028007075	BOULON (M12 x 45 mm).....	1
3	089028007907	ENSEMBLE DE TABLE.....	1
4	089028007020	RAPPORTEUR D'ONGLET DE INDICATEUR.....	1
5	089028007044	VIS AVEC RONDELLE (M5 x 12 mm).....	1
6	089028007048	RIVET	3
7	089028007004	BASE	1
8	089028007076	RONDELLE (12 x 25 x 1.5t).....	1
9	089028007077	RONDELLE (12 x 20 x 1.5t).....	1
10	089028007046	TUERCA DE FIJACIÓN (M12)	1
11	089028007710	RAPPORTEUR D'ONGLET	1



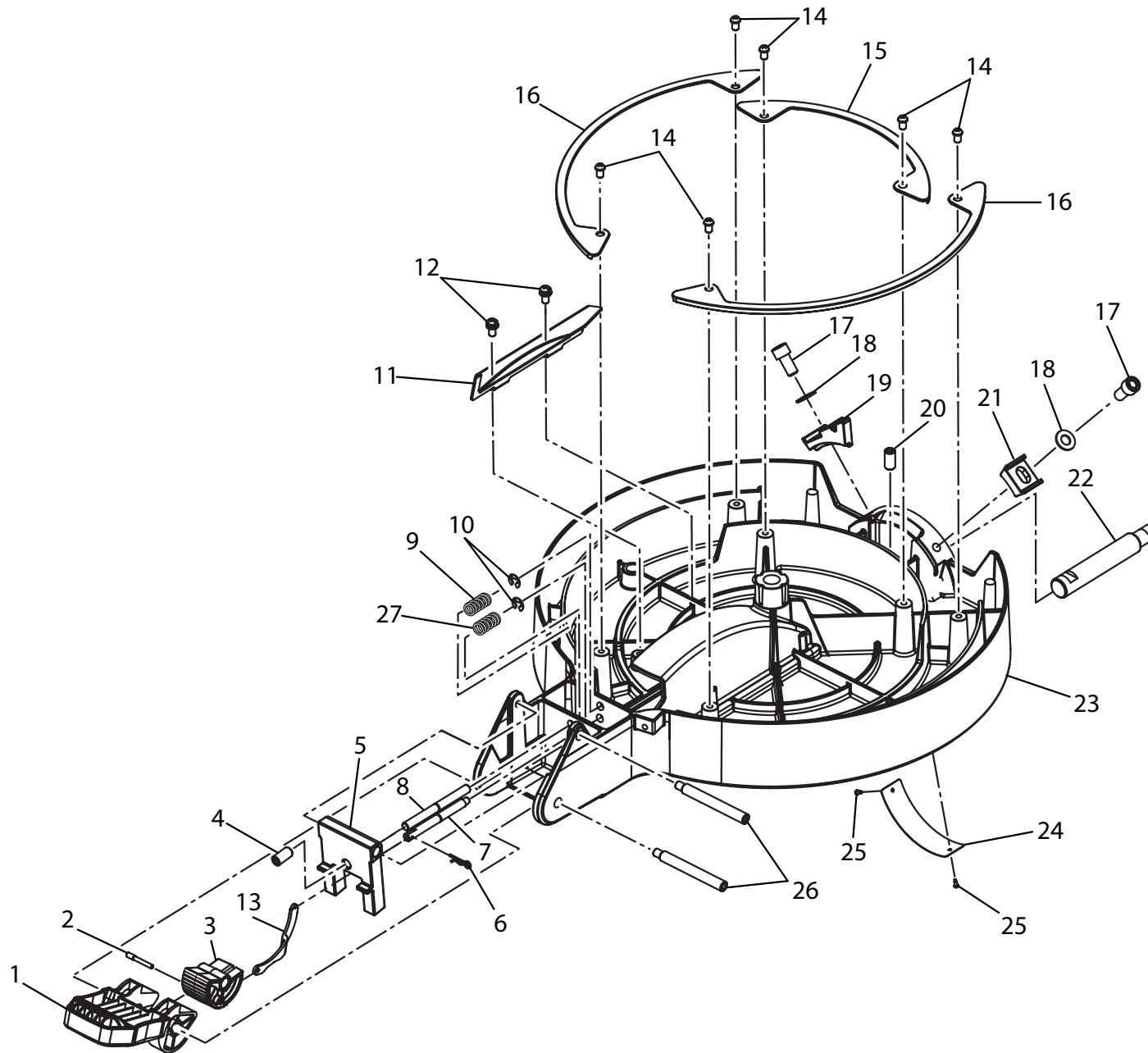


R4120

PARTS LIST FOR FIGURE C

Key No.	Part Number	Description	Qty.	Key No.	Part Number	Description	Qty.
1	089028007099	SPINDLE LOCK PIN.....	1	27	089028007110	POWER CORD.....	1
2	089028007024	SPINDLE LOCK BUTTON.....	1	28	089028007036	BAFFLE.....	1
3	089028007141	C-RING.....	1	29	089028007912	FIELD ASSEMBLY.....	1
4	089028007121	REDUCTION GEAR.....	1	30	089028007127	BOLT (M5 x 65 mm, Hex Hd.).....	2
5	089028007119	C-RING.....	1	31	089028007124	LEAD WIRE (WHITE).....	1
6	089028007118	O-RING.....	1	32	089028007105	SCREW w/WASHER.....	4
7	089028007009	BEARING HOUSING.....	1	33	089028007035	MOTOR HOUSING.....	1
8	089028007116	BALL BEARING (6304 2RS).....	1	34	089028007125	NYLON NUT (M5).....	2
9	089028007117	ARBOR SHAFT.....	1	35	089028007126	LOCK NUT.....	2
10	089028007120	KEY.....	1	36	089028007106	BRUSH ASSEMBLY.....	2
11	089028007096	NEEDLE BEARING (HK1210).....	1	37	089028007107	BRUSH CAP.....	2
12	089028007097	BEARING PLATE.....	1	38	089028007122	BRUSH HOLDER.....	2
13	089028007098	SCREW (M5 x 15 mm).....	3	39	089028007123	SET SCREW (M5 x 10 mm).....	2
14	089028007109	SCREW W/ WASHER (M4 x 12 mm).....	1	40	089028007034	MOTOR END CAP.....	1
15	089028007115	SCREW (M4 x 14 mm).....	8	41	089028007001	UPPER GUARD.....	1
16	089028007915	D-HANDLE ASSEMBLY.....	1	42	089028007027	BEARING BUSHING.....	1
17	089028007040	SWITCH.....	1	43	089028007104	BALL BEARING (6200ZZ).....	1
18	089028007112	SCREW (M4 x 10 mm).....	2	44	089028007909	ARBOR SHAFT ASSEMBLY (INC. KEY NOS. 3-10).....	1
19	089028007031	TRIGGER.....	1	45	089028007102	BEARING PLATE.....	1
20	089028007114	SCREW (M4 x 22 mm).....	4	46	089028007100	TORSION SPRING.....	1
21	089028007911	ARMATURE ASSEMBLY (INC. KEY NOS. 43, 45 AND 49).....	1	47	089028007047	E-RING.....	1
22	089028007111	SCREW (M4 x 16 mm).....	2	48	089028007103	SCREW w/ WASHER (M4 x 23 mm).....	2
23	089028007030	CORD CLAMP.....	1	49	089028007101	BALL BEARING (6002ZRS).....	1
24	089100300100	WIRE NUT.....	1	50	089028007908	** MOTOR HOUSING ASSEMBLY (INC. KEY NOS. 28-31, 33-35 AND 38-39).....	1
25	089028007108	SCREW (M4 x 10 mm).....	1	51	089028007903	COMPLETE MOTOR ASSEMBLY (INC. KEY NOS. 1-49).....	1
26	089028007029	BEND RELIEF.....	1				

** Complete Assembly





R4120

PARTS LIST FOR FIGURE D

Key No.	Part Number	Description	Qty.
1	089028007023	MITER LOCKING LEVER	1
2	089028007084	ROLL PIN	1
3	089028007022	MITER INDEX WHEEL.....	1
4	089028007088	SCREW (M8 x 16 mm)	1
5	089028007008	MITER LOCK PLATE	1
6	089028007086	SPRING PIN.....	1
7	089028007085	MITER INDEX PIN	1
8	089028007089	MITER LOCK PIN.....	1
9	089028007090	SPRING.....	1
10	089028007047	E-RING.....	2
11	089028007091	GUARD PLATE (BOTTOM).....	1
12	089028007044	SCREW w/WASHER (M5 x 12 mm)	2
13	089028007083	MITER INDEX LINK.....	1
14	089028007050	SCREW (M5 x 8 mm)	6
15	089028007019	SMALL SHOE.....	1
16	089028007021	LARGE SHOE.....	2
17	089028007043	SCREW (5/16-18 x 5/8 in.).....	2
18	089028007082	WASHER.....	2
19	089028007080	BEVEL INDEX STOP (LEFT).....	1
20	089028007079	SCREW (M5 x 16 mm)	1
21	089028007081	BEVEL INDEX STOP (RIGHT).....	1
22	089028007078	PIVOT SHAFT.....	1
23	089028007002	TABLE	1
24	089028007711	BEVEL SCALE.....	1
25	089028007048	RIVET	2
26	089028007049	SHOULDER BOLT (M6).....	2
27	089028007087	SPRING.....	1
	987000319	OPERATOR'S MANUAL	

08-10-09
(REV:02)

LISTE DES PIÈCES DE LA FIGURE D

Pièce	Référence	Description	Qté.
1	089028007023	LEVER DE VERROUILLAGE D'ONGLET.....	1
2	089028007084	GOUPILLE CYLINDRIQUE.....	1
3	089028007022	MOLETTE DE RÉGLAGE DE BISEAU.....	1
4	089028007088	VIS (M8 x 16 mm).....	1
5	089028007008	PLAQUE DE VERROUILLAGE DE LA COUPE D'ONGLET.....	1
6	089028007086	GOUPILLE DE RESSORT	1
7	089028007085	GOUPILLE D'INDEXAGE D'ONGLET.....	1
8	089028007089	GOUPILLE DE VERROUILLAGE D'ONGLET	1
9	089028007090	RESSORT.....	1
10	089028007047	ANNEAU EN E.....	2
11	089028007091	PLAQUE DE GARDE (INFÉRIEURE)	1
12	089028007044	VIS AVEC RONDELLE (M5 X 12 MM)	2
13	089028007083	ARTICULATION DE RÉGLAGE DE BISEAU.....	1
14	089028007050	VIS (M5 X 8 MM)	6
15	089028007019	PETITE SABOT	1
16	089028007021	SABOT ENTRETOISE	2
17	089028007043	VIS (5/16-18 X 5/8 PO).....	2
18	089028007082	RONDELLE	2
19	089028007080	BUTÉE D'ÉCHELLE DE BISEAU (GAUCHE).....	1
20	089028007079	VIS (M5 x 16 mm).....	1
21	089028007081	BUTÉE D'ÉCHELLE DE BISEAU (DROITE).....	1
22	089028007078	AXE DE PIVOT	1
23	089028007002	TABLE	1
24	089028007711	ÉCHELLE DE BISEAU.....	1
25	089028007048	RIVET	2
26	089028007049	BOULON À ÉPAULEMENT (M6)	2
27	089028007087	RESSORT.....	1
	987000319	MANUEL D'UTILISATION	