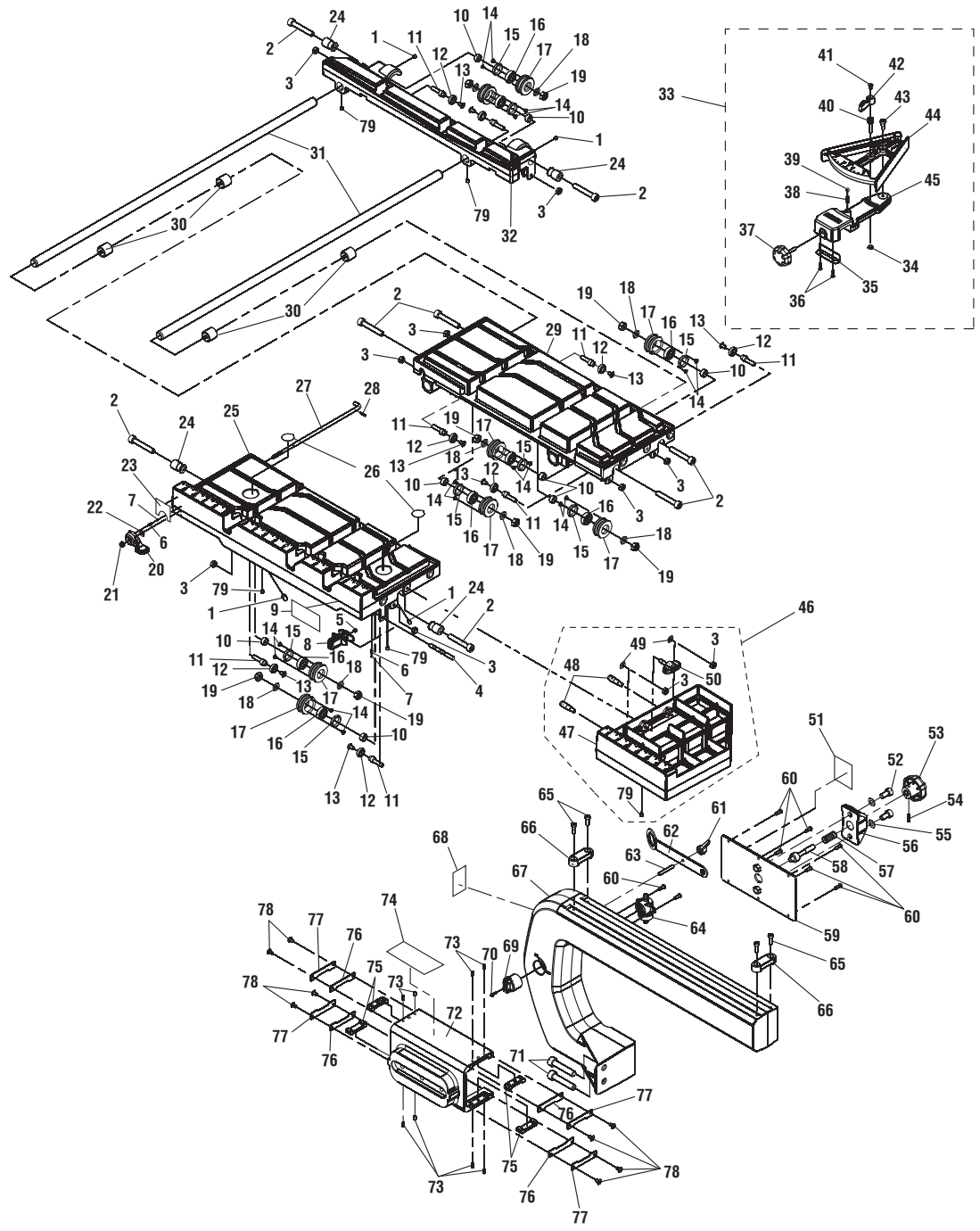


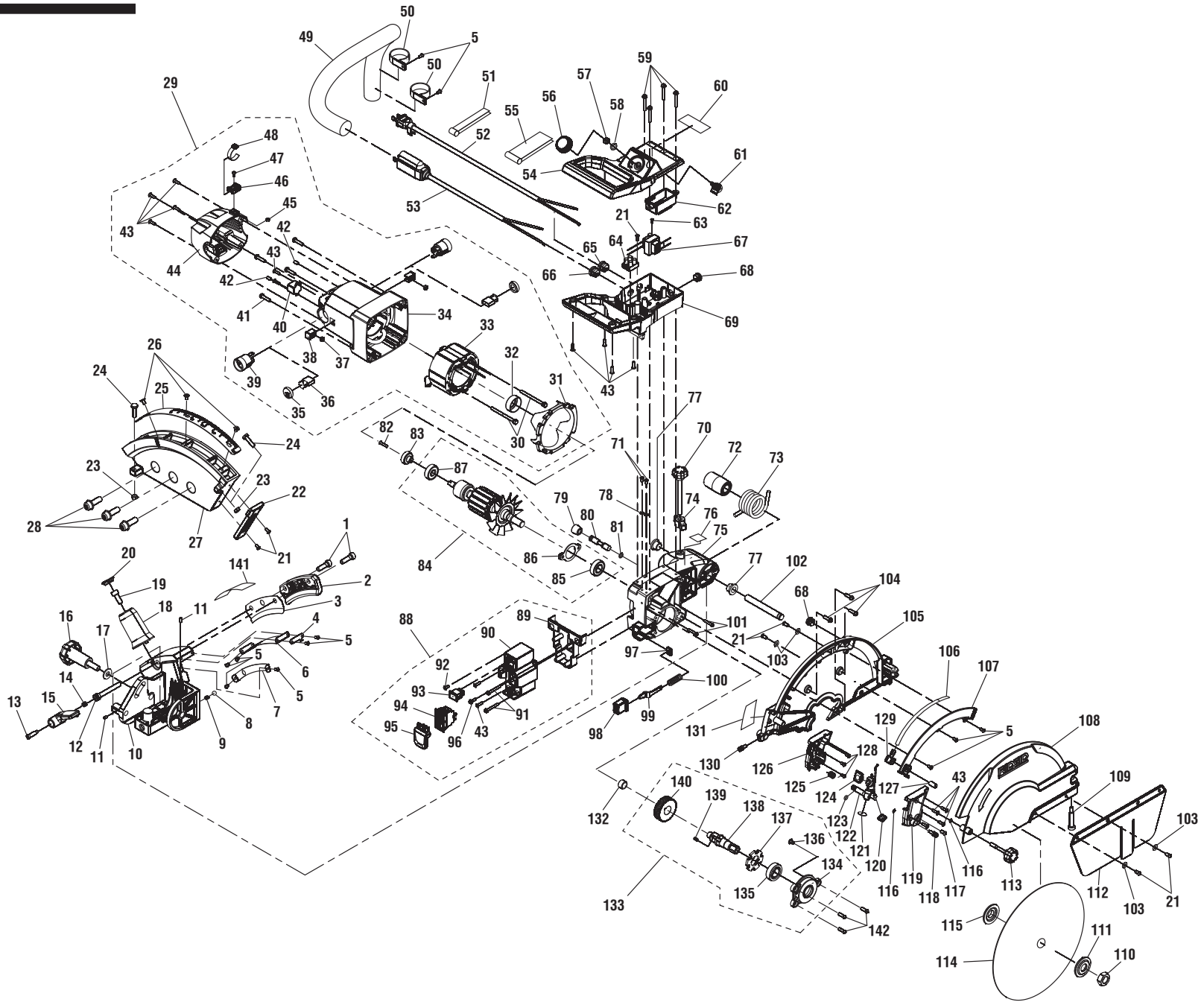
PARTS LIST FOR FIGURE A

KEY	P/N	DESCRIPTION	QTY	PIÈCE RÉF.	DESCRIPTION	QTÉ	REF. N/P	DESCRIPCIÓN	CANT.
1	08009008701	Frame Assembly (Inc. Key Nos. 17-18 and 23).....	1	08009008701	Ensemble de cadre de support (incl. pièces no. 17 à 18 et 23).....	1	08009008701	Conjunto de la armazón (incl. pzas. núms. ref. 17 a 18 y 23).....	1
2	08009008002	Cap.....	4	08009008002	Capuchon.....	4	08009008002	Tapa.....	4
3	08009008003	Left Rail.....	1	08009008003	Barre gauche.....	1	08009008003	Riel izquierdo.....	1
4	08009008004	Right Rail.....	1	08009008004	Barre droit.....	1	08009008004	Riel derecho.....	1
5	08009008005	Bolt (M8 x 70 mm, Round Hd.).....	8	08009008005	Boulon (M8 x 70 mm, tête ronde).....	8	08009008005	Perno (M8 x 70 mm, cab. red.).....	8
6	08009008006	Washer (D8 x D15 X 1t).....	8	08009008006	Rondelle (D8 x D15 X 1t).....	8	08009008006	Arandele (D8 x D15 X 1t).....	8
7	08009008007	Screw (M6 x 12 mm, Soc. Hd.).....	2	08009008007	Vis (M6 x 12 mm, tête creuse).....	2	08009008007	Tornillo (M6 x 12 mm, cab. hue.).....	2
8	08009008008	Glide (Left).....	1	08009008008	Patin (gauche).....	1	08009008008	Deslizante (izquierdo).....	1
9	08009008009	Glide (Right).....	1	08009008009	Patin (droit).....	1	08009008009	Deslizante (derecho).....	1
10	08009008010	Screw (M5 x 5 mm, Round Hd.).....	4	08009008010	Vis (M5 x 5 mm, tête ronde).....	4	08009008010	Tornillo (M5 x 5 mm, cab. red.).....	4
11	08009008011	Table Stop.....	1	08009008011	Butée de table.....	1	08009008011	Tope de mesa.....	1
12	08009008012	Screw (M6 x 85 mm, Round Hd.).....	1	08009008012	Vis (M6 x 85 mm, tête ronde).....	1	08009008012	Tornillo (M6 x 85 mm, cab. red.).....	1
13	08009008013	Table Stop By-pass.....	1	08009008013	Butée de table de déviation.....	1	08009008013	Tope de la mesa de puente.....	1
14	08009008014	Spring.....	1	08009008014	Ressort.....	1	08009008014	Resorte.....	1
15	08009008015	Screw (M6, Hex Soc. Hd. w/Shoulder).....	1	08009008015	Vis (M6, hex. tête creuse. w/ épaulée).....	1	08009008015	Tornillo (M6, hex. cab. hue. w/ tornillo de cuello grueso).....	1
16	08009008016	Hex Nut (M6).....	2	08009008016	Écrou hexagonal (M6).....	2	08009008016	Tuerca hexagonal (M6).....	2
17	08009005911	Frame Logo Label.....	1	08009005911	Cadre étiquette de logo.....	1	08009005911	Etiqueta de logo armazón.....	1
18	08009008905	Table Stop By-pass Warning Label.....	1	08009008905	Étiquette d'avertissement de butée de table de déviation.....	1	08009008905	Etiqueta de advertencia de tope de la mesa de puente.....	1
19	08009008223	Spray Nozzle Holder.....	1	08009008223	Rangement de buse de pulvérisation.....	1	08009008223	Sujetador de boquilla rociado.....	1
20	08009008084	Screw (M4 x 8 mm, Round Hd.).....	1	08009008084	Vis (M4 x 8 mm, tête ronde).....	1	08009008084	Tornillo (M4 x 8 mm, cab. red.).....	1
21	08009008208	Spacer.....	4	08009008208	Écarteur.....	4	08009008208	Espaciador.....	4
22	08009008207	Bolt (M10 x 60 mm, Round Hd.).....	4	08009008207	Boulon (M10 x 60 mm, tête ronde).....	4	08009008207	Perno (M10 x 60 mm, cab. red.).....	4
23	08009008901	Data Label.....	1	08009008901	Étiquette de données.....	1	08009008901	Etiqueta de datos.....	1
24	08009008206	Hex Nut (M10).....	2	08009008206	Écrou hexagonal (M10).....	2	08009008206	Tuerca hexagonal (M10).....	2
25	08009008218	Water Tray Extension (Rear).....	1	08009008218	Plateau d'eau l'extension (arrière).....	1	08009008218	Bandejas de agua de extensión (trasero).....	1
26	08009008217	Water Tray Extension (Right).....	1	08009008217	Plateau d'eau l'extension (droit).....	1	08009008217	Bandejas de agua de extensión (derecha).....	1
27	08009008714	Water Tray Assembly (Inc. Key Nos. 28-32).....	1	08009008714	Ensemble de plateau d'eau (incl. pièces no. 28 à 32).....	1	08009008714	Conjunto de bandejas de agua (incl. pzas. núms. ref. 28 a 32).....	1
28	08009008213	Water Tray.....	1	08009008213	Plateau d'eau.....	1	08009008213	Bandejas de agua.....	1
29	08009008216	Seal.....	1	08009008216	Joint d'étanchéité.....	1	08009008216	Sello.....	1
30	08009008215	Drain Plug.....	1	08009008215	Bouchon de vidange.....	1	08009008215	Tapón de drenaje.....	1
31	08009008214	Water Tray Cap Band.....	1	08009008214	Bandede de plateau d'eau de capuchon.....	1	08009008214	Banda de bandejas de agua de tapa.....	1
32	08009008154	Screw (M4 x 10 mm).....	1	08009008154	Vis (M4 x 10 mm).....	1	08009008154	Tornillo (M4 x 10 mm).....	1
33	08009008269	Hex Key (2.5 mm).....	1	08009008269	Clé hexagonale (2.5 mm).....	1	08009008269	Llave hexagonal (2.5 mm).....	1
34	08009008270	Hex Key (6 mm).....	1	08009008270	Clé hexagonale (6 mm).....	1	08009008270	Llave hexagonal (6 mm).....	1
35	08009008271	Hex Key (8 mm).....	1	08009008271	Clé hexagonale (8 mm).....	1	08009008271	Llave hexagonal (8 mm).....	1



PARTS LIST FOR FIGURE B

KEY P/N	DESCRIPTION	QTY	KEY P/N	DESCRIPTION	QTY	KEY P/N	DESCRIPTION	QTY			
1	080009008025	Screw (M5 x 10 mm, Soc. Hd.).....	4	29	080009008045	Middle Table	1	55	080009008006	Washer (D8 x D15 X 1t).....	2
2	080009008026	Bolt (M8 x 50 mm, Round Hd.).....	8	30	080009008046	Sliding Tube Sleeve	4	56	080009008077	Slider Lock.....	1
3	080009008016	Hex Nut (M6).....	10	31	080009008048	Rod	2	57	080009008075	Spring	1
4	080009008041	Latch Shaft	1	32	080009008047	Rear Table.....	1	58	080009008074	Detent Shaft.....	1
5	080009008303	Screw (M5 x 5 mm, Soc. Hd.).....	1	33	080009008705	Miter Guide Assembly (Inc. Key Nos. 34-45)	1	59	080009008072	Lock Plate.....	1
6	080009008038	Spring	2	34	080009008086	Hex Nut (M6).....	1	60	080009008061	Screw (M4 x 12 mm, Round Hd.)	8
7	080009008037	Ball (5/32 in.).....	2	35	080009008261	Lock Plate.....	1	61	080009008204	Wing Nut.....	1
8	080009008040	Sliding Table Lock Lever.....	1	36	080009008262	Screw (M5 x 15 mm, Round Hd.)	2	62	080009008203	Blade Wrench	1
9	080009008908	Table Unlock Label	1	37	080009008263	Miter Guide Knob	1	63	080009008202	Screw (M5 x 20 mm, Soc. Hd.).....	1
10	080009008027	Spacer	8	38	080009008255	Spring	1	64	080009008702	Water Flow Valve Assembly (Inc. Key Nos. 69-70).....	1
11	080009008031	Bolt (M6 x 32 mm, Eccentric)	8	39	080009008091	Ball (5/16 in.).....	1	65	080009008065	Screw (M5 x 16 mm, Round Hd.)	4
12	080009008030	Ball Bearing (688-2RS)	8	40	080009008258	Lock Knob Bolt.....	1	66	080009008064	Stopper.....	2
13	080009008032	Screw (M5 x 8 mm, Flat Hd.).....	8	41	080009008260	Screw (M6 x 12 mm, Flat Hd.)	1	67	080009008054	Support Arm	1
14	080009008023	Screw (M3 x 3 mm, Truss Hd.)	16	42	080009008259	Miter Guide Lock Lever	1	68	080009002908	Caution Label	1
15	080009008022	Bearing Retainer	8	43	080009008257	Bolt (M6, Hex Soc. Hd.).....	1	69	080009008062	Water Flow Valve Knob.....	1
16	080009008021	Ball Bearing (608-2RS-C2)	8	44	080009008256	Miter Guide.....	1	70	080009008310	Screw (M3 x 12 mm, Round Hd.)	1
17	080009008020	Roller	8	45	080009008254	Miter Guide Holder	1	71	080009008205	Screw (M10 x 50 mm, Round Hd.)	2
18	080009008028	Washer (D8 x D14 x 2t).....	8	46	080009008706	Sliding Table Extension Assembly (Inc. Key Nos. 3, 47-50, and 79).....	1	72	080009008066	Slider Block	1
19	080009008029	Hex Nut (M8).....	8	47	080009008264	Sliding Table Extension.....	1	73	080009008068	Screw (M4 x 8 mm, Soc. Hd.).....	8
20	080009008033	Table Lock	1	48	080009008265	Pin.....	2	74	080009008906	Warning Label.....	1
21	080009008039	Hex Nut (M5).....	1	49	080009008266	Washer (D6.4 x D12 x 1t).....	2	75	080009008067	Adjusting Brackets	4
22	080009008036	Washer (D5.5 x D12 x 1t).....	1	50	080009008267	Table Extension Lock Knob	1	76	080009008070	Wiper	4
23	080009008904	Lock/Unlock Label.....	1	51	080009008903	Slide Adjustment Instruction Label.....	1	77	080009008069	Wiper Plate	4
24	080009008024	Eccentric Sleeve.....	4	52	080009008078	Screw (M8 x 16 mm, Round Hd.)	2	78	080009008071	Screw (M4 x 8 mm, Truss Hd.)	8
25	080009008019	Front Table.....	1	53	080009008073	Cutting Head Lock Bracket	1	79	080009008042	Screw (M5 x 5 mm, Soc. Hd.).....	5
26	080009005905	No Hands Label.....	2	54	080009008076	Pin (D2 x 18 mm)	1				
27	080009008034	Table Locking Rod.....	1								
28	080009008035	Pin (D2 x 10 mm)	1								



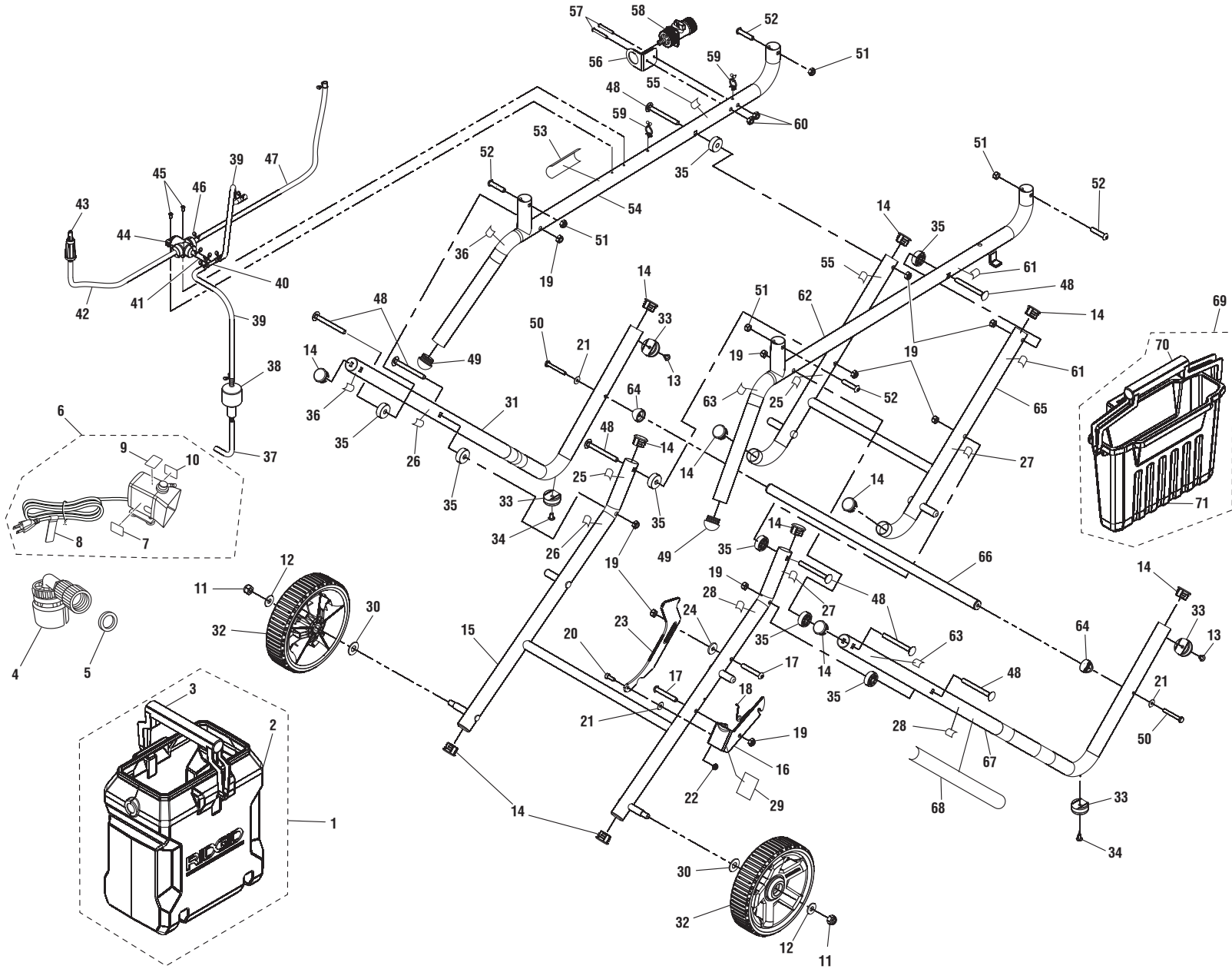
PARTS LIST FOR FIGURE C

KEY P/N	DESCRIPTION	QTY	KEY P/N	DESCRIPTION	QTY	KEY P/N	DESCRIPTION	QTY			
1	08009008095	Screw (M8, Special).....	2	29	08009008704	Motor Housing w/Field Assembly (Inc. Key Nos. 30-48).....	1	56	08009008194	Variable Speed Dial	1
2	08009008094	Lower Slider.....	1	30	08009008125	Bolt (M5 x 65 mm, Hex Hd.).....	2	57	08009008305	Hex Nut (M7).....	1
3	08009008093	Rear Wear Plate.....	1	31	08009008127	Baffle.....	1	58	08009008306	Washer (D12 x D7.2 x 0.4t).....	1
4	08009008089	Bevel Indicator.....	1	32	08009008126	Bearing Cup.....	1	59	08009008195	Screw (M5 x 35 mm, Rd. Hd.)	4
5	08009008084	Screw (M4 x 8 mm, Rd. Hd.)	11	33	08009008122	Field Assembly	1	60	08009008910	Handle Housing Logo Label.....	1
6	08009008088	Upper Wear Plate	1	34	08009008119	Motor Housing.....	1	61	08009008193	Variable Speed Control.....	1
7	08009008092	Front Wear Plate	1	35	08009008130	Brush Cap.....	2	62	08009008155	Circuit Board Assembly (Variable Speed).....	1
8	08009008091	Ball (5/16 in.).....	1	36	08009008129	Brush	2	63	08009008156	Screw (M2.5 x 8 mm, Rd. Hd.)	1
9	08009008090	Spring	1	37	08009008123	Hex Nut (M5).....	2	64	08009008158	Terminal Block	1
10	08009008087	Pivot Knuckle.....	1	38	08009008124	Nut Retainer.....	2	65	08009008161	Strain Relief (SB7R-3).....	1
11	08009008068	Screw (M4 x 8 mm, Set)	2	39	08009008120	Brush Holder.....	2	66	08009008160	Strain Relief (SB6R-3).....	1
12	08009008096	Bevel Lever Bolt	1	40	08009008133	Sensor Assembly.....	1	67	08009008157	Transformer.....	1
13	08009008098	Bolt (M5, Hex Soc.).....	1	41	08009008128	Screw (M5 x 25 mm, Rd. Hd.)	4	68	08009008159	Strain Relief (SB5M-2)	2
14	08009008097	Bevel Lever	1	42	08009008121	Screw (M5 x 10 mm).....	2	69	08009008151	Lower "D" Handle.....	1
15	08009008099	Spring	1	43	08009008134	Screw (M4 x 14 mm).....	16	70	08009008146	Depth Stop Knob.....	1
16	08009008140	Lock Knob (Depth Adjustment)	1	44	08009008135	Motor End Cap	1	71	08009008167	Screw (M4 x 5 mm, Rd. Hd.)	2
17	08009008141	Washer (D10 x D22 x 2t).....	1	45	08009008199	Hex Nut (M4).....	1	72	08009008138	Spring Spacer.....	1
18	08009008142	Bevel Handle Grip.....	1	46	08009008196	Tie Mount.....	1	73	08009008137	Spring	1
19	08009008143	Screw (M8 x 20 mm, Rd. Hd.)	1	47	08009008198	Screw (M4 x 8 mm, Rd. Hd.)	1	74	08009008145	Depth Stop	1
20	08009008144	Bevel Handle Cap.....	1	48	08009008197	Tie.....	1	75	08009008710	Gear Box (Inc. Key Nos. 76-77, and 132).....	1
21	08009008044	Screw (M5 x 10 mm, Rd. Hd.)	7	49	08009008200	Conduit.....	1	76	08009005907	Depth Stop Adjust Label	1
22	08009008083	Bevel Stop	1	50	08009008201	Cable Clamp (ACC-8-B)	2	77	08009008136	Bushing.....	2
23	08009008086	Hex Nut (M6).....	2	51	08009002910	Danger Label (GFCI)	1	78	08009008168	Lock Washer (M4).....	2
24	08009008085	Screw (M6 x 23 mm, Hex Hd.).....	2	52	08009008190	Power Cord.....	1	79	08009008102	Knob	1
25	08009008081	Bevel Scale	1	53	08009008191	Pump Cord	1	80	08009008100	Lock Pin.....	1
26	08009008082	Screw (M5 x 8 mm, Flat Hd.).....	3	54	08009008192	Upper "D" Handle.....	1	81	08009008101	O-Ring (D10.6 x D6.8 x 1.9t)	1
27	08009008079	Pivot Support.....	1	55	08009005903	Hang Tag (Warning)	1				
28	08009008080	Screw (M10 x 30 mm, Rd. Hd.)	3								

PARTS LIST FOR FIGURE C

KEY P/N	DESCRIPTION	QTY	KEY P/N	DESCRIPTION	QTY	KEY P/N	DESCRIPTION	QTY			
82	080009008132	Screw (M4 x 20 mm, Flat Hd.).....	1	102	080009008139	Pivot Shaft.....	1	123	080009008060	O-Ring (D1.9 x ID 5.8).....	1
83	080009008131	Magnet Ring.....	1	103	080009008036	Washer (D5.5 x D12 x 1t).....	4	124	080009008177	Laser Button Cover.....	1
84	080009008713	Armature Assembly (Inc. Key Nos. 114-115, 117).....	1	104	080009008113	Screw (M5 x 18 mm).....	3	125	080009008178	Spring.....	1
85	080009008114	Ball Bearing (6002 RS/Z-C0).....	1	105	080009008169	Inner Blade Guard.....	1	126	080009008174	Laser Housing.....	1
86	080009008115	Retainer.....	1	106	080009008172	Hose (3/8 in. OD x 1/4 in. ID x 1240 mm).....	1	127	080009008171	Nozzle Body.....	1
87	080009008117	Ball Bearing (6200ZZ).....	1	107	080009008173	Inner Guard Cover.....	1	128	080009008175	Screw (M4 x 8 mm, Rd. Hd.).....	3
88	080009008709	Switch Assembly (Inc. Key Nos. 89-96).....	1	108	080009008186	Outer Blade Guard.....	1	129	080009008170	Nozzle Fitting.....	1
89	080009008152	Switch Box Holder.....	1	109	080009008187	Rotary Spindle.....	1	130	080009008179	Laser Front/Back Adjustment Dial.....	1
90	080009008162	Bezel Switch.....	1	110	080009008212	Wheel Nut (Spindle) (5/8 in.-18).....	1	131	080009008907	Aperture Warning Label.....	1
91	080009008166	Screw (M4 x 45 mm, Rd. Hd.).....	2	111	080009008211	Outer Washer.....	1	132	080009008104	Needle Bearing.....	1
92	080009008154	Screw (M4 x 10 mm).....	1	112	080009008189	Splash Guard.....	1	133	080009008703	Spindle Assembly (Inc. Key Nos. 134-140).....	1
93	080009008165	Pump Switch (MR-3-230).....	1	113	080009008188	Wheel Guard Lock.....	1	134	080009008105	Bearing Housing.....	1
94	080009008163	Switch (J9301).....	1	114	080009008210	Tile Cutting Wheel (10 in.).....	1	135	080009008106	Bearing (6003-2RS).....	1
95	080009008164	Switch Key.....	1	115	080009008209	Inner Washer.....	1	136	080009008107	Screw (M5 x 8 mm, Flat Hd.).....	1
96	080009008153	Screw (M4 x 15 mm, Rd. Hd.).....	1	116	080009008185	E-Ring (E-3).....	2	137	080009008109	Spindle Retainer.....	1
97	080009008147	Felt.....	1	117	080009008183	Screw (M5 x 6 mm, Rd. Hd.).....	1	138	080009008108	Spindle.....	1
98	080009008149	Spindle Lock Button.....	1	118	080009008184	Laser Left/Right Adjustment Dial.....	1	139	080009008110	Key.....	1
99	080009008148	Spindle Lock Lever.....	1	119	080009008182	Laser Cover.....	1	140	080009008111	Reduction Gear.....	1
100	080009008150	Spring.....	1	120	080009008181	LED Holder.....	1	141	080009008308	Shim (0.5 mm).....	1
101	080009008118	Screw (M4 x 23 mm, Rd. Hd.).....	2	121	080009008180	Laser Lens.....	1	142	080009008304	Screw (M5 x 18 mm, Nylok).....	3
				122	080009008176	Laser Button And LED Assembly.....	1				

FIGURE D



PARTS LIST FOR FIGURE D

KEY	P/N	DESCRIPTION	QTY	KEY	P/N	DESCRIPTION	QTY	KEY	P/N	DESCRIPTION	QTY
1	080009008707	Water Tank Assembly (Inc. Key Nos. 2-3).....	1	33	080009008283	Stand Foot.....	4	63	080009008920	Label H	2
2	080009008221	Water Tank.....	1	34	080009008284	Screw (M6 x 15 mm, Rd. Hd.)	2	64	080009008288	Pivot Bushing	2
3	080009008222	Water Tank Carry Handle.....	1	35	080009008302	Ring	8	65	080009008289	Brace	1
4	080009008712	Never Dry System (Inc Key No. 5).....	1	36	080009008919	Label D	2	66	080009008287	Bar	1
5	080009008216	Seal.....	1	37	080009008233	Hose (3/8 in. OD x 1/4 in. ID x 250 mm)	1	67	080009008286	Right Support Tube	1
6	080009006730	Pump Assembly (Inc. Key Nos. 7-12).....	1	38	080009008229	Check Valve.....	1	68	080009005909	WSUV Logo Label	1
7	080009005918	Data Label (Pump).....	1	39	080009008236	Hose (3/8 in. OD x 1/4 in. ID x 330 mm)	2	69	080009008708	Ready Rack™ Assembly (Inc. Key Nos. 75-76).....	1
8	080009004912	Hang Tag (Cord Wrap).....	1	40	080009008228	T Fitting.....	1	70	080009008220	Ready Rack™ Carry Handle.....	1
9	080009005920	Warning Label.....	1	41	080009008237	Hose (3/8 in. OD x 1/4 in. ID x 50 mm)	1	71	080009008219	Ready Rack™.....	1
10	080009005913	Pump Logo.....	1	42	080009008234	Hose (3/8 in. OD x 1/4 in. ID x 915 mm)	1	NOT SHOWN:			
11	080009008299	Hex Nut (M10).....	2	43	080009008224	Spray Nozzle.....	1	080009008715	Wheel Leg Assembly (Inc. Key Nos. 14-29; 4 of Key 14, 4 of Key 19 and 1 of Key 21)	1	
12	080009008298	Washer (D10 x D24 x 2t).....	2	44	080009008720	Diverter Valve Assembly	1	080009008716	Left Support Tube Assembly (Inc. Key Nos. 14, 26, 31, 33-34, 36 and 73).....	1	
13	080009008285	Screw (M6 x 10 mm, Rd. Hd.)	2	45	080009008307	Screw (M4 x 8 mm, Rd. Hd.)	2	080009008717	Right Support Tube Assembly (Inc. Key Nos. 14, 28, 33-34, 63, 67-68 and 73)	1	
14	080009008002	Plug.....	12	46	080009008230	Water Hose Clamp	8	080009008718	Brace Assembly (Inc. Key Nos. 14, 25, 27, 55, 61 and 65).....	1	
15	080009008272	Wheel Leg.....	1	47	080009008235	Hose (3/8 in. OD x 1/4 in. ID x 700 mm)	1	080009008719	Left Main Tube Assembly (Inc. Key Nos. 36, 49 and 53-55).....	1	
16	080009008273	Latch.....	1	48	080009008301	Carriage Bolt (M8 x 76.5 mm).....	8	080009008721	Right Main Tube Assembly (Inc. Key Nos. 49, 61, 62 and 63)	1	
17	080009008274	Screw (M8 x 50 mm, Rd. Hd.)	2	49	080009008291	Handle End Tube	2	080009008711	Water Hose Kit (Inc. Key Nos. 37-43, 46-47 and 56-60; Figure A, Keys 19-20).....	1	
18	080009008275	Spring	1	50	080009008300	Screw (M6 x 40 mm, Hex Hd.).....	2	987000994	Operator's Manual (R4090 Pump).....	1	
19	080009008276	Hex Nut (M8).....	10	51	080009008029	Hex Nut (M8).....	4	987000782	Operator's Manual.....	1	
20	080009008277	Screw (M6 x 16 mm, Rd. Hd.)	1	52	080009008268	Screw (M8 x 38 mm, Rd. Hd.)	4	1-13-11 (Rev: 07)			
21	080009008278	Washer (D6 x D16 x 1t).....	3	53	080009005912	Diverter Valve Label.....	1				
22	080009008279	Hex Nut (M6).....	1	54	080009008290	Left Main Tube.....	1				
23	080009008280	Lock Bracket	1	55	080009008921	Label A.....	2				
24	080009008281	Washer (D8, D24, 4t).....	1	56	080009008226	Fresh Water Valve L Plate.....	1				
25	080009008915	Label B	2	57	080009008231	Screw (M4 x 37L, Rd. Hd.)	2				
26	080009008916	Label C	2	58	080009008227	Fresh Water Valve.....	1				
27	080009008917	Label F.....	2	59	080009008225	Hose Clamp.....	2				
28	080009008918	Label G	2	60	080009008232	Hex Nut (M4).....	2				
29	080009008909	Unlock Label.....	1	61	080009008922	Label E.....	2				
30	080009008297	Washer (D13 x D28 x 2t).....	2	62	080009008295	Right Main Tube.....	1				
31	080009008282	Left Support Tube.....	1								
32	080009008296	Wheel (8 in.)	2								