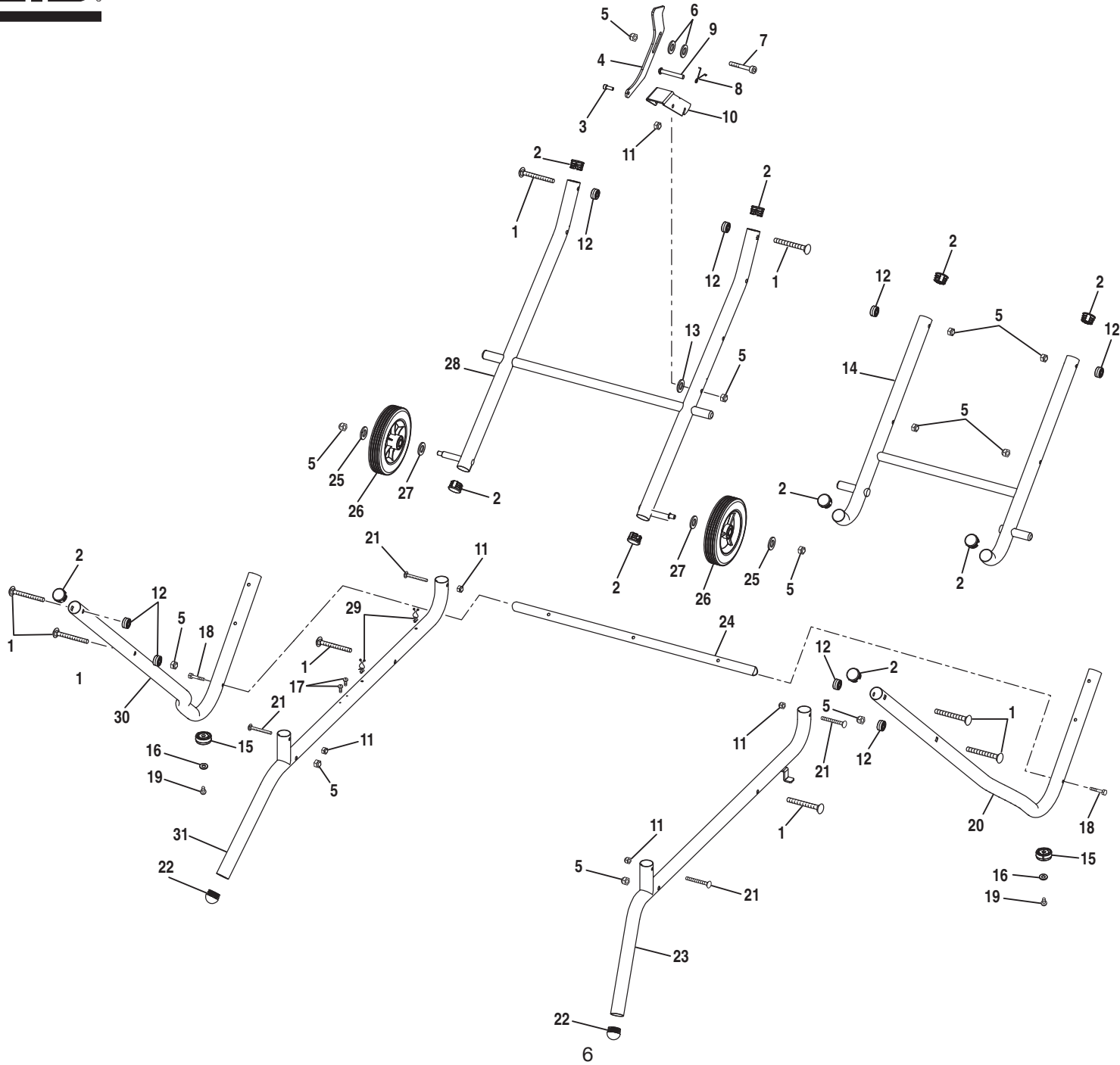


## PARTS LIST FOR FIGURE A

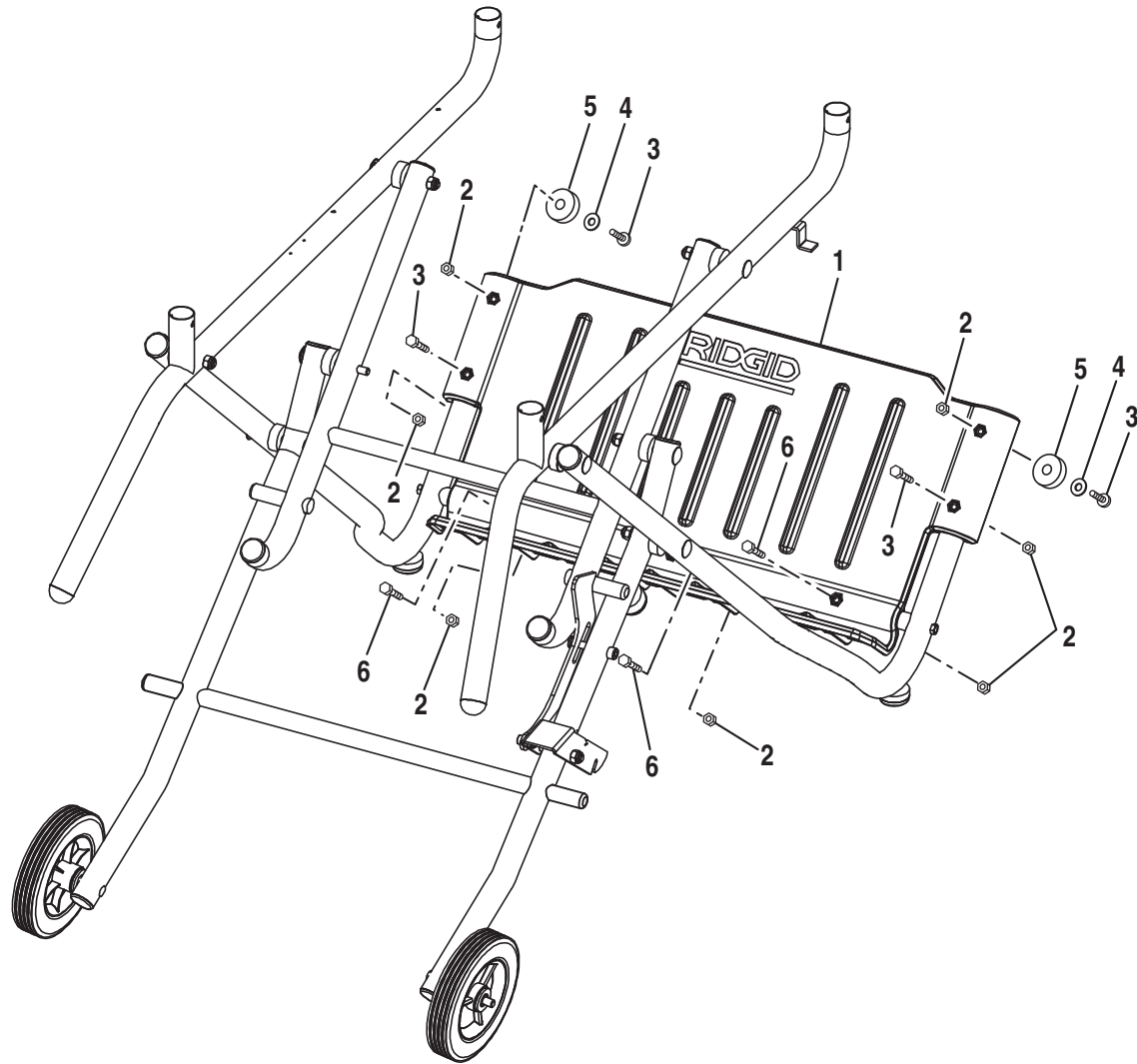
KEY	P/N	DESCRIPTION	QTY	KEY	P/N	DESCRIPTION	QTY	KEY	P/N	DESCRIPTION	QTY
1	080009005719	Miter Guide Assembly (Incl. Key Nos. 2-13).....	1	27	080009005908	Table Stop Label .....	1	55	080009005905	No Hands Label .....	2
2	080009005179	Screw (M6 x 10 mm).....	1	28	080009005025	Hex Nut (M8).....	4	56	080009005044	Shoulder Bolt (M8 x 53 mm, Hex Soc. Hd.) .....	3
3	080009005176	Lock Knob.....	1	29	080009005911	Logo Label (Frame).....	1	57	080009005042	Set Screw (M5 x 5 mm).....	1
4	080009005178	Shoulder Screw (M12 x 15 mm).....	1	30	080009005204	Clip (Cleaning Nozzle).....	1	58	080009005041	Guide Bushing .....	1
5	080009005177	Miter Guide Pivot Shaft.....	1	31	080009005205	Screw (M4 x 8 mm, Pan Hd.) .....	1	59	080009005040	Screw (M3 x 4 mm Pan Hd.).....	6
6	080009005172	Miter Guide Fence.....	1	32	080009005024	Screw (M8 x 77 mm).....	1	60	080009005039	Spacer (Small).....	3
7	080009005173	Miter Guide Bracket.....	1	33	080009005026	Compression Spring .....	1	61	080009005038	Spacer (Large).....	3
8	080009005094	Knob (Miter Guide).....	1	34	080009005023	Table Stop (Front).....	1	62	080009005036	Roller .....	3
9	080009005181	Screw (M4 x 8 mm).....	2	35	080009005021	Right Rail .....	1	63	080009005045	Roller (Fixed) .....	3
10	080009005175	Miter Guide Plate .....	1	36	080009005018	Bolt (M8 x 70 mm, Hex Soc.).....	8	64	080009005046	Eccentric Shaft (M6).....	3
11	080009005180	Hex Nut (M6).....	1	37	080009005020	Left Rail .....	1	65	080009005067	Hose (700 mm).....	1
12	080009005183	Spring.....	1	38	080009005019	Set Screw (M8 x 12mm, Nylock).....	2	66	080009005722	Diverter Valve Assembly.....	1
13	080009005182	Ball (8 mm).....	1	39	080009005055	Spacer (Guide Roller).....	1	67	080009005202	Hose (915 mm) .....	1
14	080009005005	Water Tray Extension .....	1	40	080009005054	Roller (Location) .....	1	68	080009005199	Cleaning Nozzle .....	1
15	080009005701	Water Tray Assembly (Incl. Key Nos. 16-17).....	1	41	080009005053	Guide Roller .....	2	69	080009006233	Hose (250 mm) .....	1
16	080009005002	Drain Plug.....	1	42	080009005037	Ball Bearing (608).....	4	70	080009005914	Data Label (Pump) .....	1
17	080009005004	Screw (M4 x 6 mm, Pan Hd.).....	1	43	080009005057	Shoulder Bolt (Hex Soc. Hd.).....	3	71	080009005721	Water Pump Assembly (Incl. Key Nos. 70, 72-73 and 76).....	1
18	080009005170	Bolt, (M10 x 80 mm, Hex Soc. Hd.) .....	4	44	080009005033	Screw (M5 x 10 mm, Pan Hd.).....	6	72	080009006019	Filter, Water Pump.....	1
19	080009005915	Data Label.....	1	45	080009005032	Particle Trap Plate .....	2	73	080009006004	End Cap, Water Pump .....	1
20	080009005028	Bolt (M6 x 70 mm).....	2	46	080009005031	Particle Trap .....	1	74	080009005185	Handle, Water Tank.....	1
21	080009005027	Rear Table Stop.....	1	47	080009005906	Table Lock Label.....	1	75	080009005184	Water Tank .....	1
22	080009005006	Sleeve .....	4	48	080009005049	Table Lock Shaft .....	1	76	080009005913	Pump Logo .....	1
23	080009005022	End Cap (D28.6 mm).....	4	49	080009005051	Spring.....	1	77	080009004912	Hang Tag (French/Spanish).....	1
24	080009005029	Lock Nut (M6) .....	5	50	080009005050	Ball (4 mm) .....	1	78	080009005240	Hose Clamp .....	4
25	080009005702	Water Tray Frame.....	1	51	080009005048	Table Lock Block.....	1				
26	080009005169	Hex Nut (M10) .....	2	52	080009005052	Set Screw (M5 x 5 mm).....	1				
				53	080009005034	Plate (Table Assembly).....	1				
				54	080009005703	Sliding Table (Incl. Key Nos. 47 and 55)...	1				

### FIGURE B



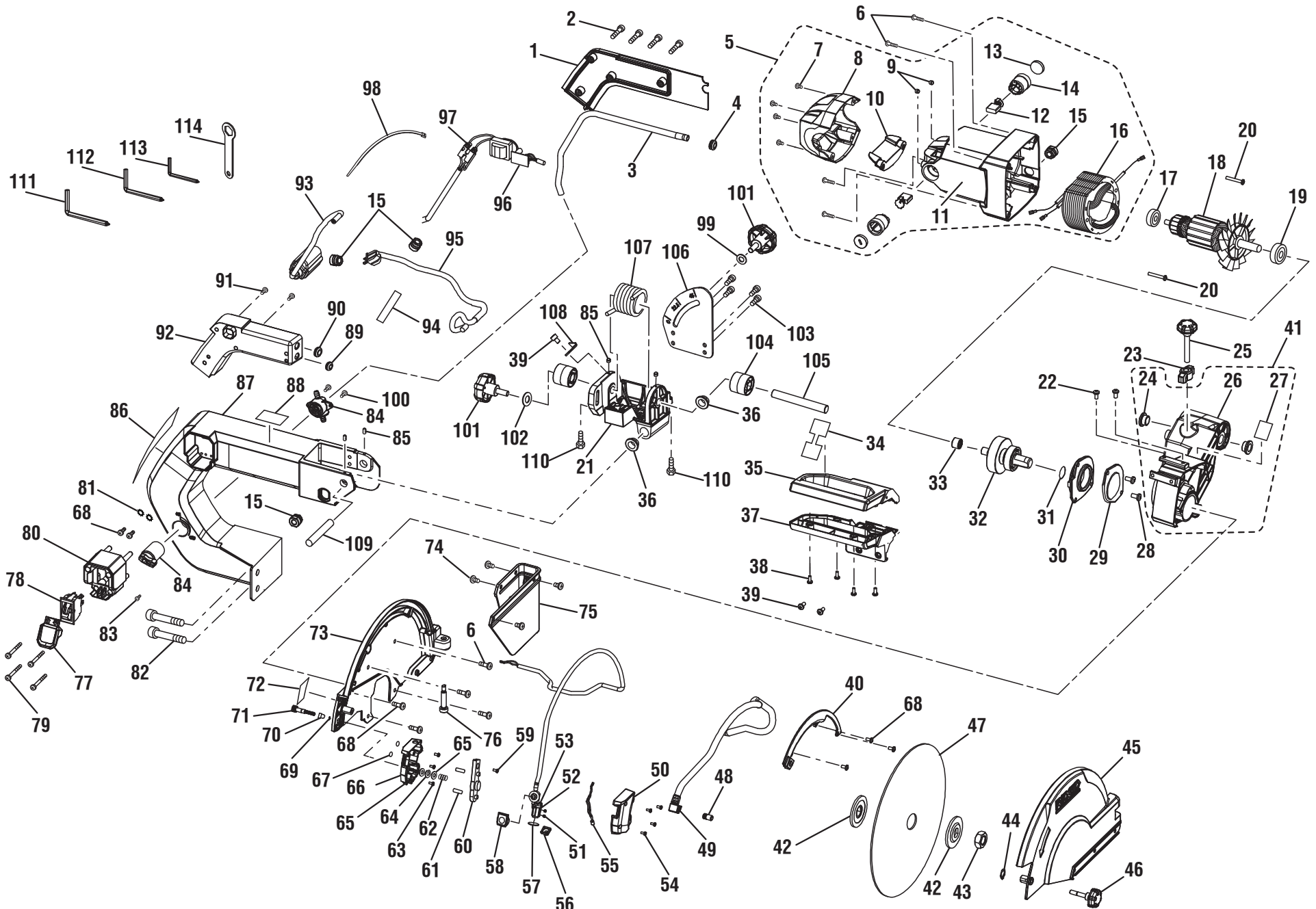
## PARTS LIST FOR FIGURE B

KEY	P/N	DESCRIPTION	QTY	PIÈCE RÉF.	DESCRIPTION	QTÉ	REF. N/P	DESCRIPCIÓN	CANT.		
1	080009005224	Carriage Bolt .....	8	1	080009005224	Boulon à collet carré.....	8	1	080009005224	Perno de carrocería .....	8
2	080009005022	Long Cap, Stand.....	10	2	080009005022	Capuchon long, stand.....	10	2	080009005022	Tapa larga, pedestal.....	10
3	080009005227	Screw .....	1	3	080009005227	Vis .....	1	3	080009005227	Tornillo.....	1
4	080009005221	Latch .....	1	4	080009005221	Loquet.....	1	4	080009005221	Broche.....	1
5	080009005025	Lock Nut (M8).....	12	5	080009005025	Écrou hexagonal (M8).....	12	5	080009005025	Tuerca hexagonal (M8).....	12
6	080009005235	Washer .....	2	6	080009005235	Rondelle.....	2	6	080009005235	Arandela.....	2
7	080009005234	Screw (M8 x 47 mm, Hex Soc.) .....	1	7	080009005234	Vis (M8 x 47 mm, à tête creuse hexagonale).....	1	7	080009005234	Tornillo (M8 x 47 mm, cabeza hue. hex.).....	1
8	080009005223	Spring.....	1	8	080009005223	Ressort.....	1	8	080009005223	Resorte.....	1
9	080009005044	Screw (M8 x 53 mm).....	1	9	080009005044	Vis (M8 x 53 mm).....	1	9	080009005044	Tornillo (M8 x 53 mm).....	1
10	080009005222	Press Plate.....	1	10	080009005222	Plaque de pression .....	1	10	080009005222	Placa de prensa .....	1
11	080009005029	Lock Nut (M6).....	5	11	080009005029	Écrou frein (M6).....	5	11	080009005029	Tuerca de seguridad (M6) .....	5
12	080009004082	Spacer.....	8	12	080009004082	Écarteur.....	8	12	080009004082	Espaciador.....	8
13	080009005117	Washer (D8 x D16 x 1.5t).....	1	13	080009005117	Rondelle (D8 x D16 x 1.5t).....	1	13	080009005117	Arandela (D8 x D16 x 1.5t).....	1
14	080009005726	Center Brace.....	1	14	080009005726	Renfort central .....	1	14	080009005726	Riostra central.....	1
15	080009005228	Pad.....	2	15	080009005228	Pad.....	2	15	080009005228	Pad.....	2
16	080009005102	Washer (D6 x D14 x 1t) .....	2	16	080009005102	Rondelle (D6 x D14 x 1t) .....	2	16	080009005102	Arandela (D6 x D14 x 1t) .....	2
17	080009005082	Screw (M4 x 8 mm, Pan Hd.).....	2	17	080009005082	Vis (M4 x 8 mm, tête bombée).....	2	17	080009005082	Tornillo (M4 x 8 mm, cab. tronc.) .....	2
18	080009005232	Bolt (M6 x 45 mm).....	2	18	080009005232	Boulon (M6 x 45 mm).....	2	18	080009005232	Perno (M6 x 45 mm).....	2
19	080009005231	Screw (M6 x 16 mm).....	2	19	080009005231	Vis (M6 x 16 mm) .....	2	19	080009005231	Tornillo (M6 x 16 mm).....	2
20	080009005218	Right Outer Tube.....	1	20	080009005218	Tube extérieure droit .....	1	20	080009005218	Tubo exterior derecho.....	1
21	080009005233	Carriage Bolt (M6 x 35 mm).....	4	21	080009005233	Boulon à collet carré (M6 x 35 mm).....	4	21	080009005233	Perno de carrocería (M6 x 35 mm) .....	4
22	080009005241	Round Cap.....	2	22	080009005241	Capuchon rond.....	2	22	080009005241	Tapa redonda .....	2
23	080009005723	Right Upper Tube Assembly .....	1	23	080009005723	Ensemble tube supérieur droit.....	1	23	080009005723	Conjunto del tubo superior derecho .....	1
24	080009005220	Lower Brace.....	1	24	080009005220	Traverse inférieure.....	1	24	080009005220	Riostra inferior.....	1
25	080009005093	Washer (M8).....	2	25	080009005093	Rondelle (M8).....	2	25	080009005093	Arandela (M8).....	2
26	080009005237	Wheel (6 in.).....	2	26	080009005237	Roue (6 po).....	2	26	080009005237	Rueda (6 pulg.).....	2
27	080009005238	Washer (D28 x D16 x 2t).....	2	27	080009005238	Rondelle (D28 x D16 x 2t).....	2	27	080009005238	Arandela (D28 x D16 x 2t).....	2
28	080009005725	Inner Leg Assembly .....	1	28	080009005725	Ensemble de pattes internes .....	1	28	080009005725	Conjunto de la pata interna.....	1
29	080009005200	Water Line Clip.....	2	29	080009005200	Attache de la conduite d'eau .....	2	29	080009005200	Sujetador para la línea de agua .....	2
30	080009005219	Left Outer Tube .....	1	30	080009005219	Tube intérieur gauche.....	1	30	080009005219	Tubo intererior izquierdo .....	1
31	080009005724	Left Upper Tube .....	1	31	080009005724	Tube supérieur gauche.....	1	31	080009005724	Tubo superior izquierdo .....	1



## PARTS LIST FOR FIGURE C

KEY PART NO.	PART NUMBER	DESCRIPTION	QTY	PIÈCE RÉF.	DESCRIPTION	QTÉ	REF. N/P	DESCRIPCIÓN	CANT.		
1	080009005186	Ready Rack™ .....	1	1	080009005186	Ready Rack™ .....	1	080009005186	Ready Rack™ .....	1	
2	080009005180	Hex Nut (M6) .....	7	2	080009005180	Écrou hexagonal (M6) .....	7	2	080009005180	Tuerca hexagonal (M6) .....	7
3	080009005187	Screw (M6 x 40 mm, Hex Soc. Hd.).....	4	3	080009005187	Vis (M6 x 40 mm, à tête creuse hexagonale).....	4	3	080009005187	Tornillo (M6 x 40 mm, cabeza hue. hex.) .....	4
4	080009005102	Washer (D6 x D14 x 1t) .....	2	4	080009005102	Rondelle (D6 x D14 x 1t) .....	2	4	080009005102	Arandela (D6 x D14 x 1t) .....	2
5	080009005228	Pad.....	2	5	080009005228	Pad.....	2	5	080009005228	Pad.....	2
6	080009005188	Screw (M6 x 30 mm, Hex Soc. Hd.).....	3	6	080009005188	Vis (M6 x 30mm, à tête creuse hexagonale).....	3	6	080009005188	Tornillo (M6 x 30mm, cabeza hue. hex.).....	3





## PARTS LIST FOR FIGURE D

KEY	P/N	DESCRIPTION	QTY	KEY	P/N	DESCRIPTION	QTY	KEY	P/N	DESCRIPTION	QTY
1	080009005087	Electric Box Cover .....	1	37	080009005098	Lower Plunge Handle .....	1	77	080009005086	Switch Key .....	1
2	080009005088	Screw (M5 x 10 mm) .....	4	38	080009005100	Screw (M4 x 10 mm, Pan Hd.) .....	4	78	080009005707	Switch Assembly (Incl. Key No. 77) .....	1
3	080009005067	Hose (700 mm) .....	1	39	080009005091	Screw (M5 x 8 mm, Pan Hd.) .....	3	79	080009005084	Screw (M4 x 55 mm, Pan Hd.) .....	4
4	080009005059	Grommet (4 mm) .....	1	40	080009005146	Hose Cover .....	1	80	080009005083	Switch Box .....	1
5	080009005712	Motor Housing Assembly (Incl. Key Nos. 7-16) .....	1	41	080009005710	Gear Box Assembly (Inc. Key Nos. 24 and 26-27) .....	1	81	080009005081	Washer (M4, Serrated) .....	2
6	080009005118	Screw (M5 x 16 mm, Pan Hd.) .....	8	42	080009002060	Flange Washer (Inner and Outer) .....	2	82	080009005168	Screw (M10 x 50 mm, Hex Soc.) .....	2
7	080009005124	Screw (M4 x 10 mm, Pan Hd.) .....	4	43	080009002063	Flange Nut .....	1	83	080009005065	Screw (M3 x 25 mm, Pan Hd.) .....	1
8	080009005119	End Cap .....	1	44	080009005150	C-Ring .....	1	84	080009005705	Water Valve Assembly .....	2
9	080009005116	Set Screw (M5 x 5 mm) .....	2	45	080009005152	Wheel Guard (Outer) .....	1	85	080009005160	Set Screw w/Loctite (M4 x 8 mm) .....	2
10	080009005120	Baffle .....	1	46	080009005151	Wheel Guard Lock .....	1	86	080009002908	Caution Label .....	1
11	080009005250	* Motor Housing .....	1	47	080009005247	Wheel (7 in.) .....	1	87	080009005704	Motor Arm Assembly .....	1
	080009005111	** Motor Housing .....	1	48	080009005145	Nozzle (Blade) .....	1	88	080009005902	Warning Label .....	1
12	080009005114	Brush .....	2	49	080009005144	Barbed Fitting w/ Nozzle .....	1	89	080009002041	Grommet (3/8 in.) .....	1
13	080009005113	Brush Cap .....	2	50	080009005141	Laser Cover (Outer) .....	1	90	080009005069	Grommet (3/8 in., black) .....	1
14	080009005115	Brush Holder .....	2	51	080009005140	Set Screw (M4 x 4 mm) .....	1	91	080009005033	Screw (M5 x 10 mm, Pan Hd.) .....	2
15	080009005077	Strain Relief .....	4	52	080009005138	Adjust Block .....	1	92	080009005071	Electric Box .....	1
16	080009005713	Field Assembly .....	1	53	080009005136	Laser Module .....	1	93	080009005078	Receptacle .....	1
17	080009002085	Ball Bearing (608 2rs C3) .....	1	54	080009005124	Screw (M4 x 12 mm) .....	4	94	080009002910	Danger Label .....	1
18	080009005731	* Armature Assembly (Incl. key nos. 17 and 19) .....	1	55	080009005135	LED .....	1	95	080009005073	Power Cord .....	1
	080009005714	** Armature Assembly (Incl. key nos. 17 and 19) .....	1	56	080009005139	Dust Cover (LED) .....	1	96	080009005706	Transformer Assembly .....	1
19	080009002086	Ball Bearing (6000 2rs C3) .....	1	57	080009005137	Dust Cover (Laser) .....	1	97	080009005072	Terminal Block .....	1
20	080009005112	Screw (M6 x 65 mm, w/washer) .....	2	58	080009006147	Circuit Board .....	1	98	080009005089	Tie Band .....	1
21	080009005708	Knuckle Assembly .....	1	59	080009005143	Screw (M4 x 8 mm) .....	1	99	080009005093	Washer (M8 x 16 x 2t) .....	1
22	080009005103	Screw (M5 x 10 mm, Pan Hd.) .....	2	60	080009005043	Locate Plate .....	1	100	080009005066	Screw (M4 x 10 mm, Pan Hd.) .....	2
23	080009005097	Depth Control Nut .....	1	61	080009005047	Laser Pin .....	2	101	080009005094	Knob (Bevel/Plunge) .....	2
24	080009005156	Bushing .....	2	62	080009005131	Laser Adjustment Spring .....	1	102	080009005243	Washer (M8 x 20 x 2t) .....	1
25	080009005096	Depth Control Knob .....	1	63	080009005132	Screw (M3 x 8 mm) .....	3	103	080009005162	Screw (M6 x 10 mm, Hex Soc.) .....	4
26	080009005251	* Gear Box .....	1	64	080009005129	E-Ring .....	1	104	080009005159	Spacer .....	2
	080009005095	** Gear Box .....	1	65	080009005130	Washer (D6.4 x 12 x 1t) .....	2	105	080009005157	Motor Arm Pivot Shaft .....	1
27	080009005907	Depth Stop Adjust Label .....	1	66	080009005128	Laser Cover (Inner) .....	1	106	080009005161	Bevel Plate .....	1
28	080009005105	Screw (M5 x 16 mm, Pan Hd.) .....	2	67	080009005080	O-Ring (P3) .....	2	107	080009005158	Torsion Spring .....	1
29	080009002058	Bearing Plate .....	1	68	080009005082	Screw (M4 x 8 mm, Pan Hd.) .....	6	108	080009005090	Indicator .....	1
30	080009005104	Bearing Bracket .....	1	69	080009005056	Washer (D6.2 x 0.2t) .....	1	109	080009005166	Shaft .....	1
31	080009005106	O-Ring .....	1	70	080009005035	Bushing, Laser .....	1	110	080009005092	Screw (M6 x 20 mm, Hex Hd.) .....	2
32	080009005711	Arbor Assembly .....	1	71	080009005717	Laser Adjustment Knob Assembly .....	1	111	080009006029	Hex Key (M8) .....	1
33	080009002050	Needle Bearing .....	1	72	080009005904	Laser Warning Label .....	1	112	080009002107	Hex Key (M6) .....	1
34	080009005903	Hang Tag (Warning) .....	1	73	080009005125	Wheel Guard (Inner) .....	1	113	080009006028	Hex Key (M4) .....	1
35	080009005099	Upper Plunge Handle .....	1	74	080009005155	Screw (M5 x 8 mm) .....	4	114	080009002106	Wheel Wrench .....	1
36	080009005165	Bushing .....	2	75	080009005154	Splash Guard .....	1		<b>NOT SHOWN:</b>		
				76	080009005153	Pivot Shaft .....	1		98700604	Operator's Manual .....	1
									12-15-11		
									(REV:15)		

Single asterisk parts (\*) and Double asterisk parts (\*\*) parts will not interchange with each other.

\* Use these parts for tools built after Serial Number BK1002 14288.

\*\* Use these parts for tools built prior to Serial Number BK1002 14288.

When the armature \*\*, part number 080009005714, needs replaced, a conversion over to the new armature \*, motor housing \* and gear box \* will be required. As long as the armature \*\* remains in good operating condition, motor housing \*\*, part number 080009005111, and gear box \*\*, part number 080009005095, can continue to be used.