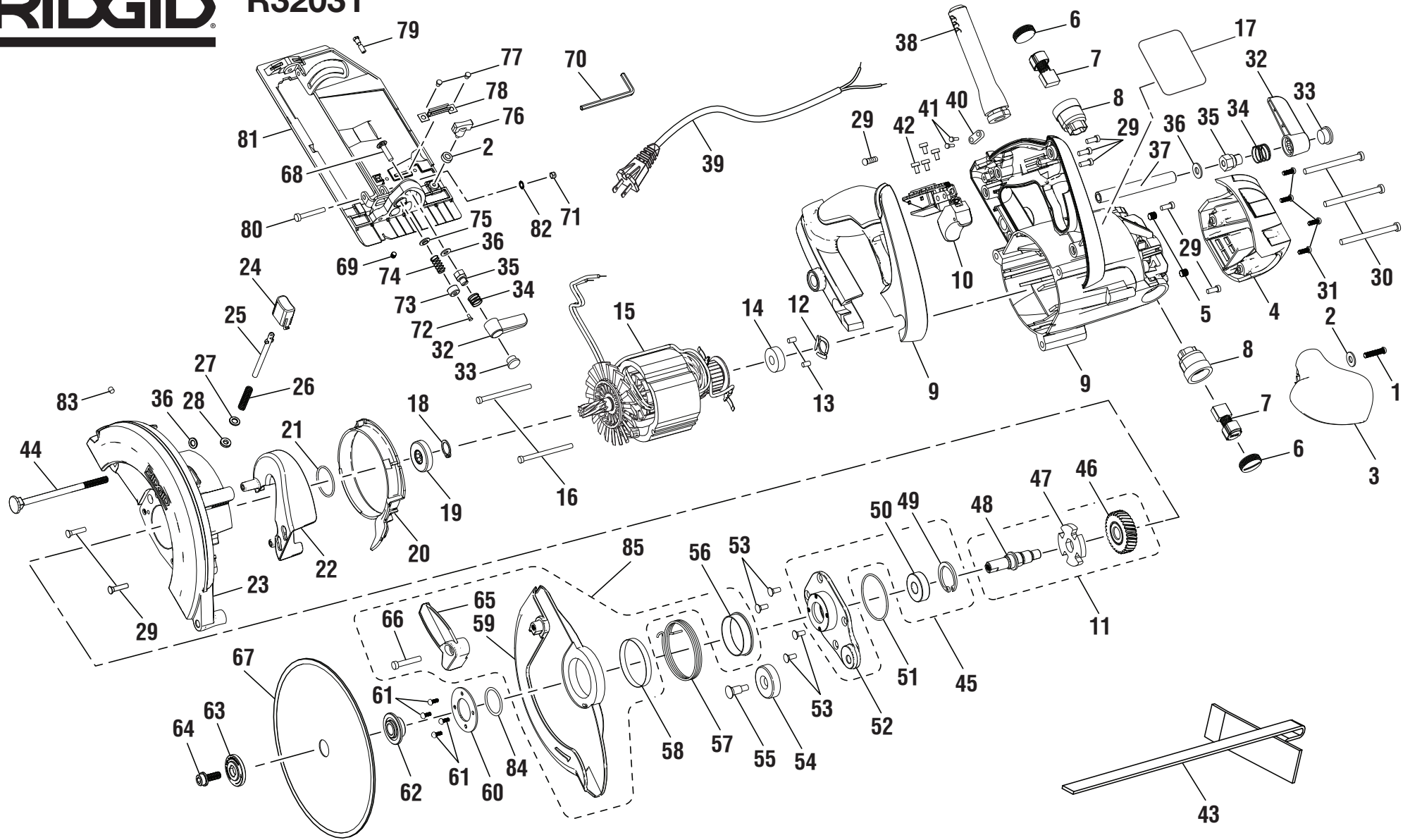


# RIDGID

## R32031



**▲ WARNING:** The assembly shown represents an important part of the Double Insulated System. To avoid the possibility of alteration or damage to the System, service should be performed by your nearest authorized service center.

**▲ AVERTISSEMENT :** L'ensemble illustré représente une partie importante du système à isolation double. Afin d'éviter la possibilité de modification ou de dommage au système, la réparation ne doit être effectuée que par votre centre de réparation centre commercial autorisé.

**▲ ADVERTENCIA:** El conjunto que se ilustra representa una parte importante del Sistema de Aislamiento Doble. Para evitar la posibilidad de alteración o daño del sistema, la reparación debe ser efectuada en su centro de servicio autorizado.

# RIDGID® R32031

KEY	P/N	DESCRIPTION	QTY	KEY	P/N	DESCRIPTION	QTY	KEY	P/N	DESCRIPTION	QTY
1	661065002	SCREW (#8-16 x 1-1/32 in.).....	1	31	660031012	SCREW (M3.5 x 14 mm).....	4	61	661031003	SCREW (M3 x 8 mm).....	4
2	671237003	SPRING WASHER.....	2	32	513965004	LEVER.....	2	62	T610120005	INNER BLADE WASHER.....	1
3	513982002	POMMEL.....	1	33	660993001	SCREW (1/4-20 x 7 mm).....	2	63	610664001	OUTER BLADE WASHER.....	1
4	513953002	END CAP.....	1	34	681035001	LEVER SPRING.....	2	64	660818002	BLADE BOLT.....	1
5	660067001	SCREW (#8-16 x 1/4 in.).....	2	35	660841002	LEVER NUT.....	2	65	513955001	LOWER GUARD LEVER.....	1
6	512010001	BRUSH CAP.....	2	36	691142001	WASHER.....	3	66	660151006	SCREW (M5 x 10 mm).....	1
7	290069090	BRUSH ASSEMBLY.....	2	37	631686001	ELEVATION TUBE.....	1	67	681444002	BLADE.....	1
8	513668001	BRUSH TUBE.....	2	38	560801001	BEND RELIEF.....	1	68	660858003	CARRIAGE BOLT (1/4-20 x 3/4 in.).....	1
9	200202558	MOTOR HOUSING w/HANDLE COVER.....	1	39	730401021	POWER CORD.....	1	69	660066005	SCREW (#8-32 x 1/4 in.).....	1
10	760245002	SWITCH TRIGGER.....	1	40	590501004	CORD CLAMP.....	1	70	6800201	HEX KEY (5 mm).....	1
11	300003074	OUTPUT SHAFT ASSEMBLY (INCL. KEY NOS. 46-48).....	1	41	660024044	SCREW (M4 x 16 mm).....	2	71	670974002	NYLON NUT (M5).....	1
12	680662002	WAVY WASHER.....	1	42	660320001	SCREW (M3.5 x 7 mm).....	4	72	661197001	SCREW (M3 x 7 mm).....	1
13	550339001	PLUG.....	2	43	631697001	EDGE GUIDE (ORDERABLE ACCESSORY).....	1	73	513968001	BEVEL BUTTON.....	1
14	680141018	BALL BEARING (608).....	1	44	660842001	ELEVATION BOLT.....	1	74	681036001	BEVEL SPRING.....	1
15	200146077	MOTOR ASSEMBLY (INCL. KEY NOS. 14 AND 18-19).....	1	45	300578012	LOWER BLADE GUARD SUPPORT ASSEMBLY (INCL. KEY NOS. 49-50 AND 52).....	1	75	513967001	BEVEL WASHER.....	1
16	660176014	SCREW (M4 x 58 mm).....	2	46	610501001	GEAR.....	1	76	511129001	KNOB BOLT.....	1
17	940488076-01A	DATA LABEL.....	1	47	690951001	SPINDLE LOCK PLATE.....	1	77	661219003	SCREW (M5 x 6 mm, PAN HD.).....	2
18	691140001	RETAINING RING.....	1	48	620443001	SHAFT.....	1	78	631717001	HEX KEY STORAGE CUP.....	1
19	690191002	BALL BEARING (6001).....	1	49	691141001	RETAINING RING.....	1	79	631687001	BEVEL PIN.....	1
20	513634002	BAFFLE.....	1	50	680070004	BALL BEARING (6000).....	1	80	660145002	SCREW (M5 x 40 mm).....	1
21	561341001	RUBBER RING.....	1	51	561313001	O-RING.....	1	81	300125007	BASE ASSEMBLY.....	1
22	513954004	VOLUTE.....	1	52	641024001	LOWER BLADE GUARD SUPPORT.....	1	82	670252002	LOCK WASHER.....	1
23	200369006	UPPER BLADE GUARD ASSEMBLY.....	1	53	660213012	SCREW (M4 x 13 mm).....	4	83	301146003	SPRING PLUNGER ASSEMBLY.....	1
24	513632002	SPINDLE LOCK BUTTON.....	1	54	561453001	BUMPER.....	1	84	631876001	WASHER.....	1
25	691074001	SPINDLE LOCK PIN.....	1	55	660905005	SCREW (M5 x 20 mm).....	1	85	300516051	LOWER BLADE GUARD ASSEMBLY (INCL. KEY NOS. 56, 58-59 AND 65-66).....	1
26	681034001	SPINDLE LOCK SPRING.....	1	56	513964003	LOWER BLADE GUARD SLEEVE.....	1	<b>NOT SHOWN:</b>			
27	631684002	WASHER.....	1	57	691073001	TORSION SPRING.....	1	988000021	OPERATOR'S MANUAL.....	1	
28	901293001	FELT WASHER.....	1	58	631685001	SLEEVE.....	1	7-10-12			
29	660024045	SCREW (M4 x 14 mm).....	8	59	641022003	LOWER BLADE GUARD.....	1	(REV:06)			
30	660219017	SCREW (M5 x 55 mm).....	3	60	680503002	LOWER BLADE GUARD COVER PLATE..	1				