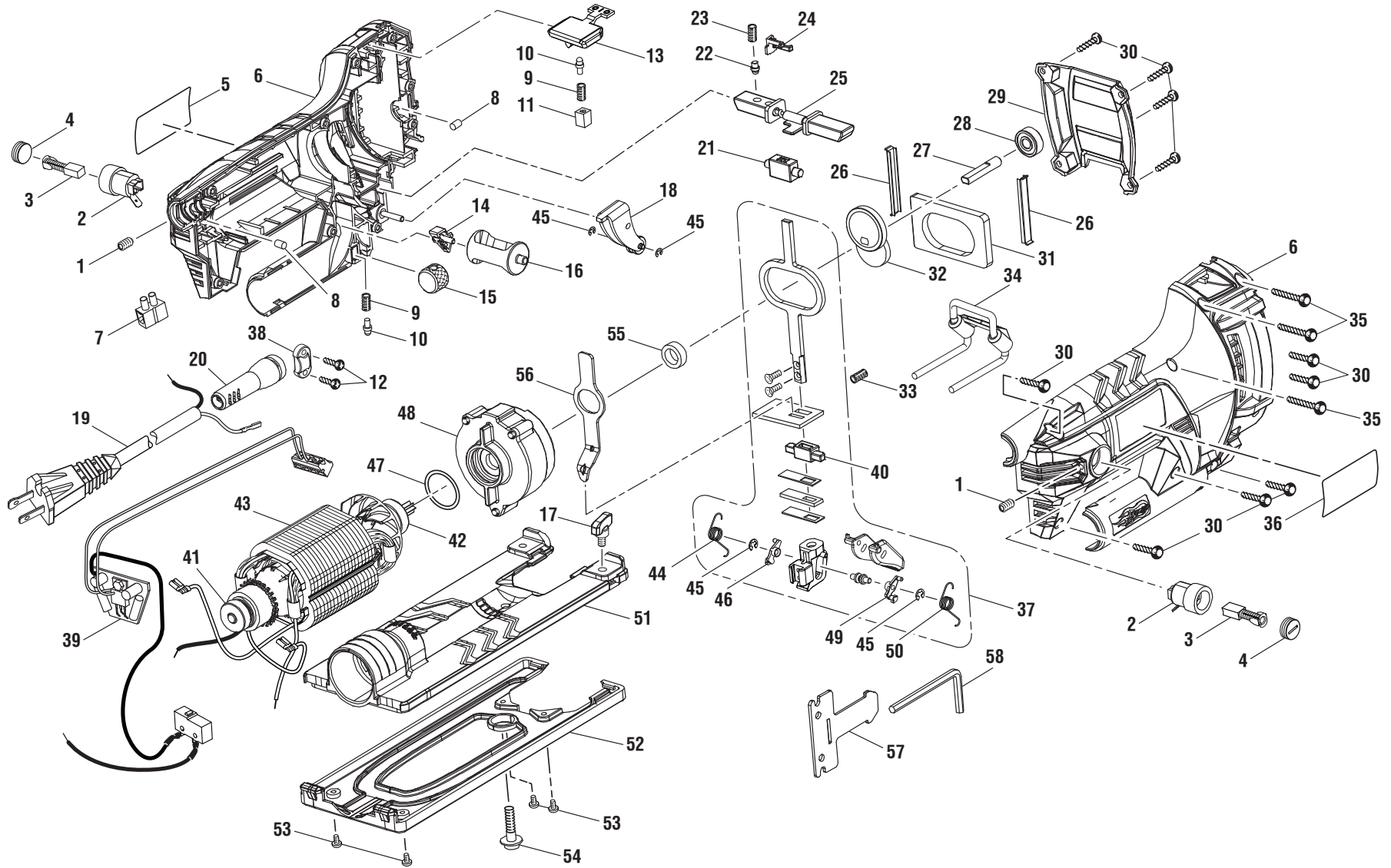


RIDGID® R3100



- ⚠ **WARNING:** The assembly shown represents an important part of the Double Insulated System. To avoid the possibility of alteration or damage to the System, service should be performed by your nearest authorized service center.
- ⚠ **AVERTISSEMENT:** L'ensemble illustré représente une partie importante du système à isolation double. Afin d'éviter la possibilité de modification ou de dommage au système, la réparation ne doit être effectuée que par votre centre de réparation centre commercial autorisé.
- ⚠ **ADVERTENCIA:** El conjunto que se ilustra representa una parte importante del Sistema de Aislamiento Doble. Para evitar la posibilidad de alteración o daño del sistema, la reparación debe ser efectuada en su centro de servicio autorizado.

RIDGID® R3100

| KEY P/N | DESCRIPTION | QTY | KEY P/N | DESCRIPTION | QTY | KEY P/N | DESCRIPTION | QTY |
|--------------|-------------------------------|-----|--------------|--|-----|-------------------|--|-----|
| 1 660439003 | Set Screw (M4 x 4.5 mm) | 2 | 25 201636004 | Orbital Control Assembly..... | 1 | 48 304035001 | Gearcase Assembly..... | 1 |
| 2 516850001 | Brush Holder..... | 2 | 26 633379001 | Slide Plate..... | 2 | 49 690377008 | Left Linkage Arm | 1 |
| 3 290848001 | Brush Assembly..... | 2 | 27 621141002 | Output Shaft | 1 | 50 691965001 | Left Coil Spring | 1 |
| 4 516851001 | Brush Cap..... | 2 | 28 681296001 | Ball Bearing (606-RSZ)..... | 1 | 51 641668001 | Base..... | 1 |
| 5 940304530 | Logo Label | 1 | 29 641646001 | Front Cover..... | 1 | 52 521927001 | Subbase..... | 1 |
| 6 201636001 | Housing Assembly..... | 1 | 30 660031012 | Screw (M3.5 x 14 mm)..... | 10 | 53 660211006 | Screw (M3 x 6 mm)..... | 4 |
| 7 690331004 | Terminal Block | 1 | 31 633327001 | Counterbalance | 1 | 54 661276001 | Screw (M5 x 20 mm)..... | 1 |
| 8 560075001 | Bearing Plug | 2 | 32 201636007 | Eccentric w/Bearing Assembly..... | 1 | 55 681426001 | Bearing | 1 |
| 9 692670001 | Compression Spring..... | 2 | 33 692671001 | Spring | 1 | 56 633328001 | Orbital Bar | 1 |
| 10 692667001 | Pin..... | 2 | 34 201636005 | Blade Guard Assembly..... | 1 | 57 562574001 | Hex Key Strap..... | 1 |
| 11 521974001 | Detent Bracket..... | 1 | 35 660230014 | Screw (M3 x 20 mm)..... | 3 | 58 681215001 | Hex Key (M4) | 1 |
| 12 660206050 | Screw (M3.5 x 10 mm)..... | 2 | 36 940488120 | Data Label | 1 | Not Shown: | | |
| 13 350970001 | Switch Actuator | 1 | 37 303974001 | Saw Bar Assembly (Inc. Key Nos. 40, 44-46 and 49-50)..... | 1 | 690227040 | T-Shank Metal Cutting Blade..... | 1 |
| 14 521972001 | Blower Tube Button | 1 | 38 512879002 | Cord Clamp | 1 | 690227041 | T-Shank Wood Cutting Blade | 1 |
| 15 692668001 | Rotate Screw | 1 | 39 201636003 | Circuit Board w/Switch Assembly | 1 | 902513003 | Tool Bag..... | 1 |
| 16 521973001 | Blower Tube..... | 1 | 40 611187001 | Lower Bushing..... | 1 | 631097001 | Optional Edge Guide | 1 |
| 17 512777001 | Guard Adjustment..... | 1 | 41 6972701 | Ball Bearing (626Z) | 1 | 521976001 | Optional Anti-Splintering Insert | 1 |
| 18 304034002 | Blade Guide Assembly | 1 | 42 681461001 | Ball Bearing (608RSB) | 1 | 988000151 | Operator's Manual (961067467) | 1 |
| 19 730387039 | Power Cord..... | 1 | 43 201636002 | Motor Assembly..... | 1 | 8-16-11 | | |
| 20 560106001 | Bend Relief | 1 | 44 691966001 | Right Coil Spring..... | 1 | (Rev:05) | | |
| 21 611186001 | Upper Bushing..... | 1 | 45 671319001 | E-Ring..... | 4 | | | |
| 22 692675001 | Detent Pin..... | 1 | 46 690377003 | Right Linkage Arm | 1 | | | |
| 23 692674001 | Spring | 1 | 47 562390001 | O-Ring | 1 | | | |
| 24 522114001 | Retainer | 1 | | | | | | |