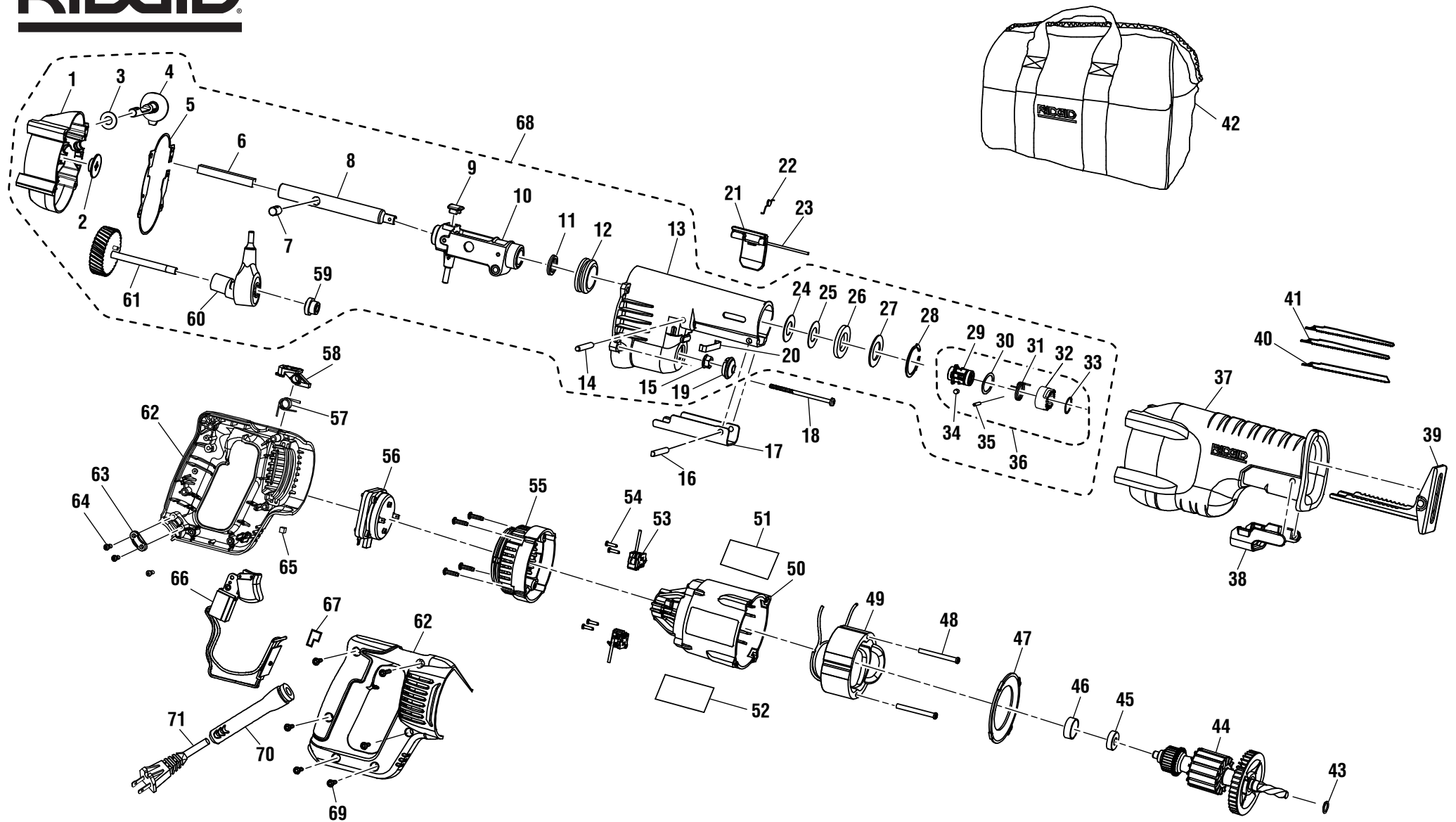


RIDGID® R3020



▲ **WARNING:** The assembly shown represents an important part of the Double Insulated System. To avoid the possibility of alteration or damage to the System, service should be performed by your nearest authorized service center.

▲ **AVERTISSEMENT :** L'ensemble illustré représente une partie importante du système à isolation double. Afin d'éviter la possibilité de modification ou de dommage au système, la réparation ne doit être effectuée que par votre centre de réparation centre commercial autorisé.

▲ **ADVERTENCIA:** El conjunto que se ilustra representa una parte importante del Sistema de Aislamiento Doble. Para evitar la posibilidad de alteración o daño del sistema, la reparación debe ser efectuada en su centro de servicio autorizado.

RIDGID® R3020

KEY	P/N	DESCRIPTION	QTY	KEY	P/N	DESCRIPTION	QTY	KEY	P/N	DESCRIPTION	QTY
1	301432003	Rear Gear Housing Assembly	1	26	570323002	Rubber Washer.....	1	50	514183001	Motor Housing.....	1
2	514178001	Slinger	1	27	671999001	Washer	1	51	940051038	Logo Label.....	1
3	900518001	Orbit Seal.....	1	28	671766001	Retaining Ring	1	52	940264107	Data Label	1
4	301137001	Orbit Knob Assembly	1	29	641046001	Clamp Body.....	1	53	290069098	Brush Assembly	2
5	900502002	Gasket	1	30	631639001	Washer	1	54	660203060	Screw (M3 x 12 mm)	4
6	901425001	Felt Strip	1	31	690346004	Spring	1	55	514053001	Motor Ring.....	1
7	620489001	Drive Pin	1	32	640538010	Clamp Sleeve	1	56	301616001	Rotating Contact Assembly	1
8	671280002	Saw Bar	1	33	691198001	Retaining Ring	1	57	691136001	Spring Lock	1
9	570627001	Orbit Bumper.....	1	34	620458002	Sphere Pin.....	1	58	514051001	Lock Lever.....	1
10	301619001	Frame Assembly.....	1	35	681081001	Pin (3 x 19.3).....	1	59	671720002	Spacer	1
11	570674001	Seal.....	1	36	300315004	Blade Clamp Assembly	1	60	301134002	Wobble Assembly.....	1
12	570626001	Orbit Seal.....	1	37	570645001	Rubber Boot.....	1	61	301133002	Axle Shaft Assembly	1
13	301431005	Front Gear Housing Assembly	1	38	300216018	Shoe Release Assembly.....	1	62	200235014	Handle Assembly	1
14	620493001	Pivot Pin	1	39	300216016	Shoe Assembly.....	1	63	590501003	Cord Clamp	1
15	660757001	Hex Nut with Washer (5/16-24)	1	40	671946001	Metal Cutting Blade (6 in. x 18 TPI)....	1	64	660208001	Screw (M4 x 12).....	3
16	671396001	Lock Pin.....	1	41	671947001	Wood Cutting Blade (6 in. x 5-8 TPI)..	2	65	514480002	Plastic Cube	1
17	631202002	Shoe Retainer Plate.....	1	42	901054002	Tool Bag (R3020 Only).....	1	66	270018108	Switch Assembly	1
18	660299007	Screw (M5 x 78 mm)	4	43	680336001	Retaining Ring	1	67	560199002	Plastic Receptacle.....	1
19	550018002	Plastic Cap	1	44	740687001	Armature Assembly (Incl. key nos. 43 and 45)	1	68	200684001	Front and Rear Gear Housing Assembly.....	1
20	631403002	Shoe Stop Clip	1	45	680141004	Ball Bearing (8 mm; 608 CW)	1	69	660443001	Screw (8-16 x 5/8 in.)	10
21	342179001	Blade Release Lever Assembly	1	46	560881002	Bearing Cap	1	70	570330001	Bend Relief.....	1
22	690502004	Torsion Spring	1	47	514184001	Baffle	1	71	730401025	Power Cord Assembly.....	1
23	690518006	Pin (2.5 x 53).....	1	48	660259007	Screw (M4 x 48 mm)	2	NOT SHOWN:			
24	900517002	Felt Washer.....	1	49	740686001	Field Assembly	1	987000064	Operator's Manual (961055001).....	1	
25	631396002	Washer	1								

2-14-12
(REV:09)