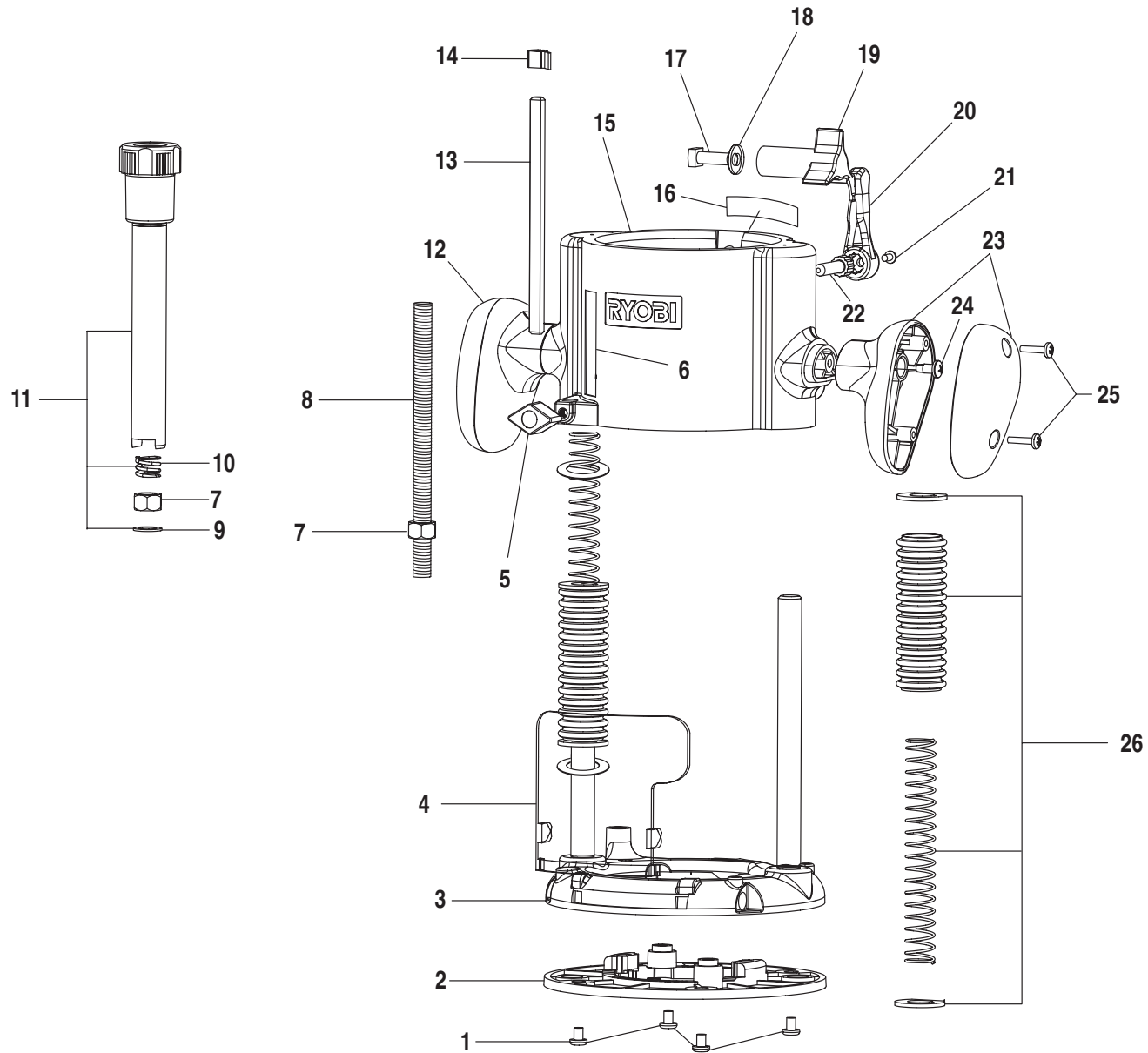


# RYOBI ROUTER PLUNGE FRAME - MODEL NUMBER R181PF



**WARNING:** Improper repair of a double insulated tool can result in damages to the double insulation system possibly causing electrical shock or electrocution. Any repairs requiring disassembly of your tool requires safety testing and should only be performed by a Ryobi Authorized Service Center. For the service center nearest you call 1-800-525-2579.

## RYOBI ROUTER PLUNGE FRAME – MODEL NUMBER R181PF

The model number will be found on a plate attached to the base. Always mention the model number in all correspondence regarding your **ROUTER** or when ordering repair parts.

### PARTS LIST

KEY NO.	PART NUMBER	DESCRIPTION	QTY.
1	998586-001	* SCREW (10-32 X 1/4 in. PAN HD.).....	4
2	983306-201	SUBBASE W/INSERTS .....	1
3	983310-201	BASE W/RODS .....	1
4	972265-002	CHIP SHIELD .....	1
5	982711-001	STOP BAR KNOB .....	1
6	982713-001	SCALE LABEL.....	1
7	607406-005	* HEX NUT (3/8-16) .....	2
8	970732-005	DEPTH ADJUSTMENT ROD.....	1
9	703493-820	WASHER.....	1
10	971137-001	COMPRESSION SPRING .....	1
11	975220-001	DEPTH ADJUSTMENT KNOB (INCLUDES KEY NOS. 9 AND 10).....	1
12	982991-001	HANDLE ASSEMBLY .....	1
13	982710-001	DEPTH STOP BAR.....	1
14	982712-001	POINTER.....	1
15	983309-201	PLUNGE FRAME W/BEARINGS.....	1
16	983414-001	INFORMATION PLATE .....	1
17	623166-007	* BOLT (1/4-20 X 3/8 in. SQ. HD.) .....	1
18	931744-059	FLAT WASHER.....	2
19	999603-001	LOCKING KNOB .....	1
20	982701-001	PLUNGE LOCK LEVER.....	1
21	643115-004	* SCREW (6-32 X 1/4 in. PAN HD.).....	1
22	982702-001	PLUNGE LOCK SCREW .....	1
23	983474-001	RIGHT HANDLE SET .....	1
24	983699-128	* SCREW (10-24 X 9/16 in. TORX PAN HD.) .....	2
25	617966-030	* SCREW (8-10 X 5/8 in. PAN HD.).....	4
26	300524002	PLUNGE SPRING ASSEMBLY.....	2

**\* Standard Hardware Item – May Be Purchased Locally**