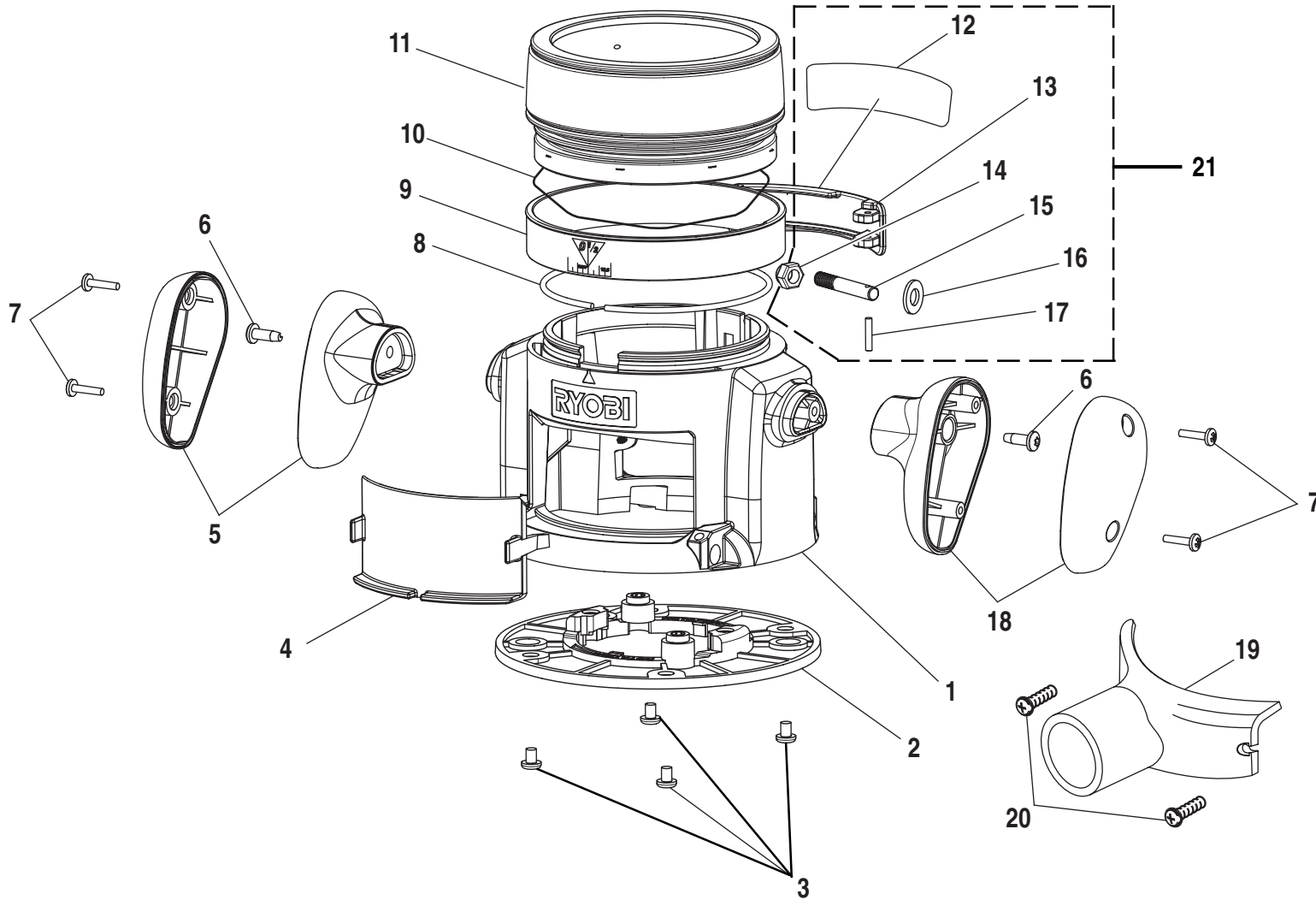


RYOBI ROUTER FIXED BASE – MODEL NUMBER R181FB1



WARNING: Improper repair of a double insulated tool can result in damages to the double insulation system possibly causing electrical shock or electrocution. Any repairs requiring disassembly of your tool requires safety testing and should only be performed by a Ryobi Authorized Service Center. For the service center nearest you call 1-800-525-2579.

RYOBI ROUTER FIXED BASE – MODEL NUMBER R181FB1

The model number will be found on a plate attached to the base. Always mention the model number in all correspondence regarding your **ROUTER** or when ordering repair parts.

PARTS LIST

KEY NO.	PART NUMBER	DESCRIPTION	QTY.
1	200246001	BASE W/PIN	1
2	200247001	SUBBASE W/INSERTS	1
3	660136001	* SCREW (10-32 X 1/4 in. PAN HD.)	4
4	512022001	CHIP SHIELD	1
5	200235001	HANDLE ASSEMBLY	1
6	660062005	* SCREW (10-24 X 9/16 in. TORX PAN HD.)	2
7	660161001	* SCREW (8-10 X 5/8 in. PAN HD.)	4
8	511990001	SPLINE	1
9	341975002	ZERO RESET RING	1
10	511991001	RESET RING SPRING	1
11	512021001	DEPTH ADJUSTMENT RING	1
12	940347002	INFORMATION PLATE	1
13	200248001	LEVER W/INFORMATION PLATE	1
14	671243001	* HEX LOCK NUT (1/4-20)	1
15	671260001	LEVER PIN	1
16	631123001	WASHER	1
17	671247001	NEEDLE ROLLER PIN	1
18	200244001	RIGHT HANDLE SET	1
19	512023001	DUST NOZZLE (OPTIONAL FOR R1621)	1
20	660284004	* SCREW (6-32 x 3/8 in. PAN HD.) (OPTIONAL FOR R1621)	2
21	000727007	LOCK LEVER REPAIR KIT	1

*** Standard Hardware Item – May Be Purchased Locally**