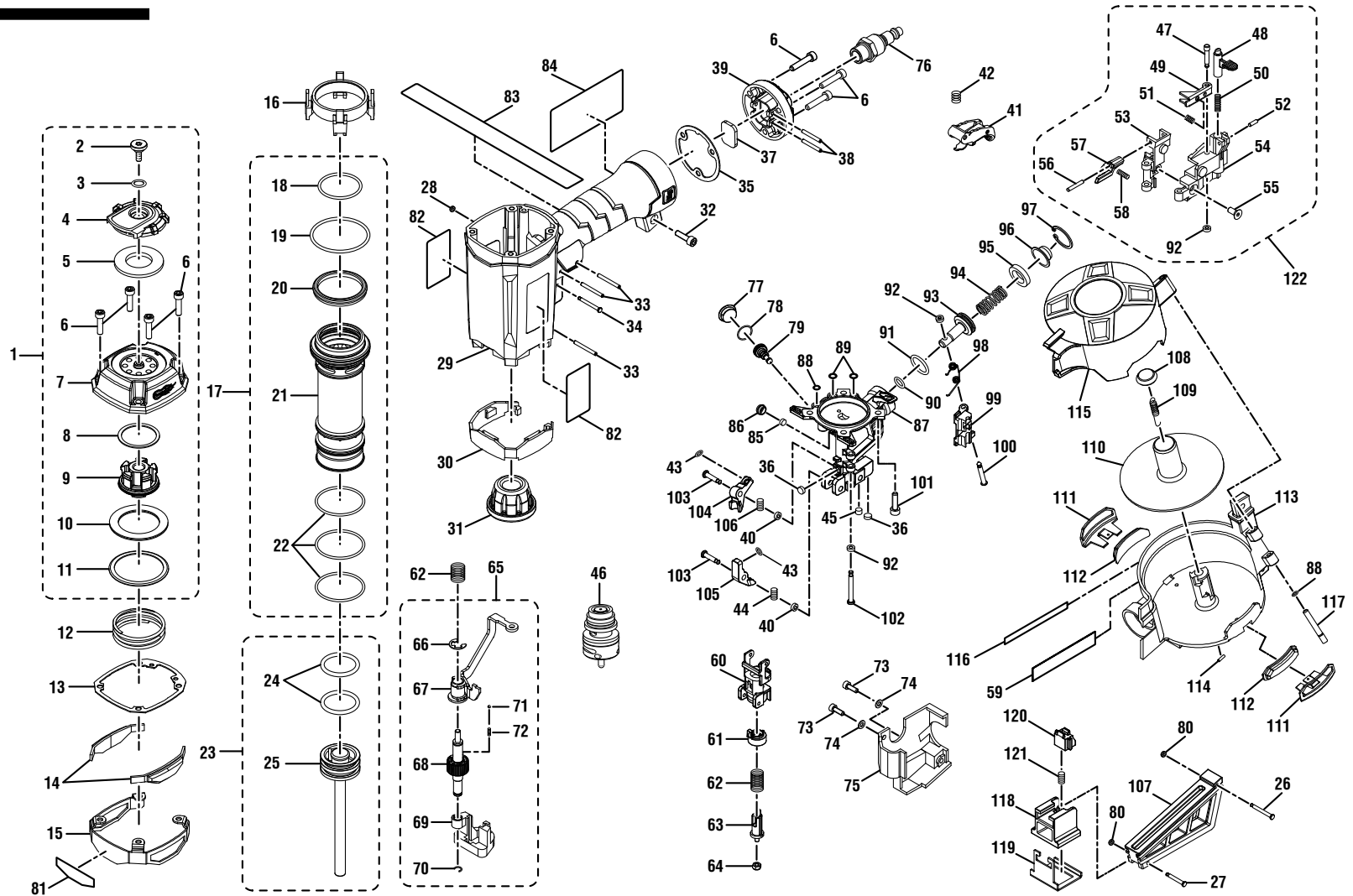


RIDGID® R175RNE



⚠ DANGER: Do not use oxygen, combustible gases, or bottled gases as a power source for this tool. The tool will explode and cause death or serious injury.

⚠ DANGER : Ne pas utiliser de l'oxygène ou des gaz combustibles ou en bouteille pour alimenter l'outil. L'outil exploserait, causant des blessures graves ou mortelles.

⚠ PELIGRO: No utilice oxígeno, gases combustibles ni gases embotellados como fuente de energía para esta herramienta. La herramienta explotará y causará la muerte o lesiones serias.

⚠ WARNING: Disconnect the tool from the air supply before performing maintenance. Failure to do so could result in serious personal injury.

⚠ AVERTISSEMENT : Débrancher l'outil de la source d'air avant tout entretien. Ne pas prendre cette précaution peut entraîner des blessures graves.

⚠ ADVERTENCIA: Desconecte la herramienta del suministro de aire antes de efectuar tareas de mantenimiento. La inobservancia de esta advertencia puede causar lesiones serias.



R175RNE COIL ROOFING NAILER

KEY	P/N	DESCRIPTION	QTY	KEY	P/N	DESCRIPTION	QTY	KEY	P/N	DESCRIPTION	QTY
1	079006005705	Top Cap Assembly (Inc. Key Nos. 2-11).....	1	29	079006005085	Tool Body Unit.....	1	57	079006005071	Dry Fire Lockout Block.....	1
2	079006005005	Deflector Screw.....	1	30	079006005050	Vent Cover.....	1	58	079006005030	Spring.....	1
3	079005004044	O-Ring (12 x 2).....	1	31	079006005052	Lower Bumper.....	1	59	079006005902	Warning Label.....	1
4	079006005048	Deflector.....	1	32	079006005003	Bolt (M5 x 16 mm, Soc. Hd.).....	1	60	079005004102	Guide.....	1
5	079006005043	Muffler.....	1	33	079005004028	Spring Pin.....	3	61	079005004089	Mode Selector Switch.....	1
6	079005004108	Screw (M5 x 25 mm, Soc. Hd.).....	7	34	079005004019	Pin.....	1	62	079005004036	Spring.....	2
7	079006005046	Top Cap.....	1	35	079006005045	End Cap Gasket.....	1	63	079005004106	Switch Shaft Assembly.....	1
8	079006005011	Washer (OD37.4 x ID32.8 x 1t).....	1	36	079006005092	Spring Pad (Nose).....	2	64	079005004010	Lock Nut (M4).....	1
9	079006005056	Upper Bumper.....	1	37	079005004063	Filter.....	1	65	079006005709	Workpiece Contact Assembly (Inc. Key Nos. 66-72).....	1
10	079006005057	Cylinder Stopper.....	1	38	079005004026	Spring Pin.....	2	66	079006005010	E-Ring.....	1
11	079006005060	Cylinder Wear Ring.....	1	39	079006005049	End Cap.....	1	67	079006005090	Workpiece Contact B.....	1
12	079006005031	Spring.....	1	40	079006005007	Pin Retainer.....	2	68	079006005088	Depth Adjustment Knob.....	1
13	079006005044	Top Cap Gasket.....	1	41	079005004710	Trigger Assembly (Inc. Key No. 42).....	1	69	079006005089	Workpiece Contact A.....	1
14	079006005059	Wear Cushion.....	2	42	079005004041	Spring.....	1	70	079005004016	C-Ring.....	1
15	079006005058	Protection Ring.....	1	43	079006005093	Spring Pad (Guide Block).....	2	71	079006005021	Adjustment Ball.....	1
16	079006005054	Cylinder Retainer.....	1	44	079006005094	Spring (Upper Guide Block).....	1	72	079006005029	Spring.....	1
17	079006005707	Cylinder Set (Inc. Key Nos. 18-22).....	1	45	079006005095	Damper (Lower Guide Block).....	1	73	079006005001	Screw (M4 x 10 mm).....	2
18	079006005042	O-Ring (37.8 x 2.5).....	1	46	079005004709	Trigger Valve Assembly (Inc. Key Nos. 47-58).....	1	74	079006005006	Washer (OD8 x ID4.3 x 1t).....	2
19	079006005041	O-Ring (50.47 x 2.62).....	1	47	079006005020	Pin.....	1	75	079006005075	Feed Claw Side Door.....	1
20	079006005053	Cylinder Seal.....	1	48	079006005013	Door Latch.....	1	76	079006005051	Swivel Air Plug (NPT 1/4 in.).....	1
21	079006005047	Cylinder.....	1	49	079006005078	Stopper Finger.....	1	77	079005004104	Plunger Cover.....	1
22	079006005039	O-Ring (42 x 2).....	3	50	079006005033	Spring.....	1	78	079005004043	O-Ring (13.2 x 1.5).....	1
23	079006005708	Driver Assembly (Inc. Key Nos. 24-25).....	1	51	079006005026	Spring.....	1	79	079005004711	Plunger Assembly (Inc. Key Nos. 77-78).....	1
24	079006005040	O-Ring (29.7 x 3.5).....	2	52	079006005024	Spring Pin.....	1	80	079006005009	Pin Retainer.....	2
25	079006005086	Driver Unit.....	1	53	079006005072	Door A.....	1	81	079006005904	FastenEdge Label.....	1
26	079006005016	Step Pin.....	1	54	079006005096	Door B.....	1	82	079006005901	Logo Label.....	2
27	079006005017	Step Pin.....	1	55	079006005004	Screw (M5 x 12 mm, Counter Sunk).....	1	83	079005004908	Trigger Wrap Label.....	1
28	079005004013	Pin Retainer.....	1	56	079006005023	Spring Pin.....	1	84	079006005903	Data and Warning Label (Spanish/French).....	1



R175RNE COIL ROOFING NAILER

KEY	P/N	DESCRIPTION	QTY	KEY	P/N	DESCRIPTION	QTY	KEY	P/N	DESCRIPTION	QTY
85	079006005076	Magnet	1	102	079006005015	Step Pin.....	1	119	079006005082	Shingle Guide Wear Plate.....	1
86	079006005084	Magnet Seat.....	1	103	079006005014	Step Pin.....	2	120	079006005083	Shingle Guide Adjustment Tab.....	1
87	079006005716	Nose (Inc. Key Nos. 36, 45 and 85-86).....	1	104	079006005074	Lower Guide Block	1	121	079006005025	Spring.....	1
88	079006005035	O-Ring (3 x 1.8).....	2	105	079006005073	Upper Guide Block.....	1	122	079006005715	Door Assembly (Inc. Key No. 92).....	1
89	079006005036	O-Ring (4 x 1.7).....	2	106	079006005034	Spring (Lower Guide Block)	1	Not Shown:			
90	079006005037	O-Ring (8.8 x 2).....	1	107	079006005080	Shingle Guide Rail.....	1	0983000623	Fastener Guide.....	1	
91	079006005038	O-Ring (17.5 x 2.5).....	1	108	079006005068	Nail Tray Spring Cap	1	079006005702	Overhaul Kit (Incl. Key No. 13, 18-20, 22, 24, 31, 46, Plus Lubricant)	1	
92	079006005012	Pin Retainer.....	3	109	079006005032	Spring.....	1	079006005701	Driver Maintenance Kit (Incl. Key Nos. 13 and 23, Plus Lubricant)	1	
93	079006005067	Feed Piston	1	110	079006005065	Nail Tray.....	1	079006005704	Oil And Wrench Kit (Incl. Oil and 4 mm Hex Keys).....	1	
94	079006005028	Spring.....	1	111	079006005070	Magazine Protection Plate	2	079006005096	Tool Bag	1	
95	079006005055	Feed Bumper.....	1	112	079006005069	Magazine Cushion.....	2	079005004114	Glasses.....	1	
96	079006005079	Feed Piston Cap.....	1	113	079006005063	Magazine Case (Inc. Key Nos. 59 and 116).....	1	988000567	Operator's Manual.....	1	
97	079006005008	C-Ring.....	1	114	079006005022	Spring Pin.....	1	9-28-12 (Rev:04)			
98	079006005027	Feed Pawl Spring.....	1	115	079006005064	Magazine Cover	1				
99	079006005066	Feed Pawl.....	1	116	079006005908	Data Label.....	1				
100	079006005019	Pin Feed Piston	1	117	079006005018	Pin	1				
101	079006005002	Screw (M5 x 18 mm, Soc. Hd.)	4	118	079006005081	Shingle Guide.....	1				