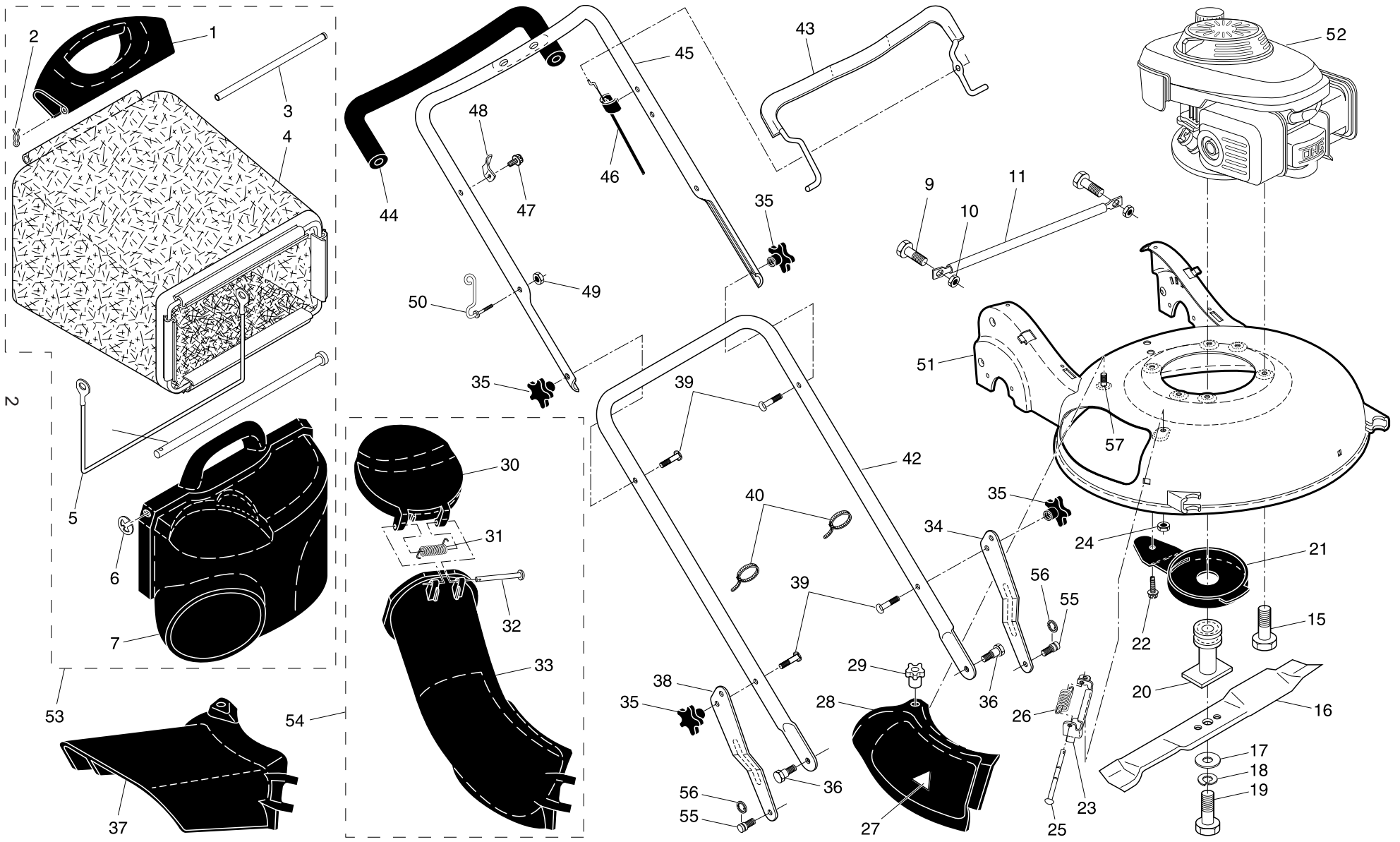


ROTARY LAWN MOWER - - MODEL NUMBER R152SVSW (96141006401) PRODUCT NUMBER 961 41 00-64

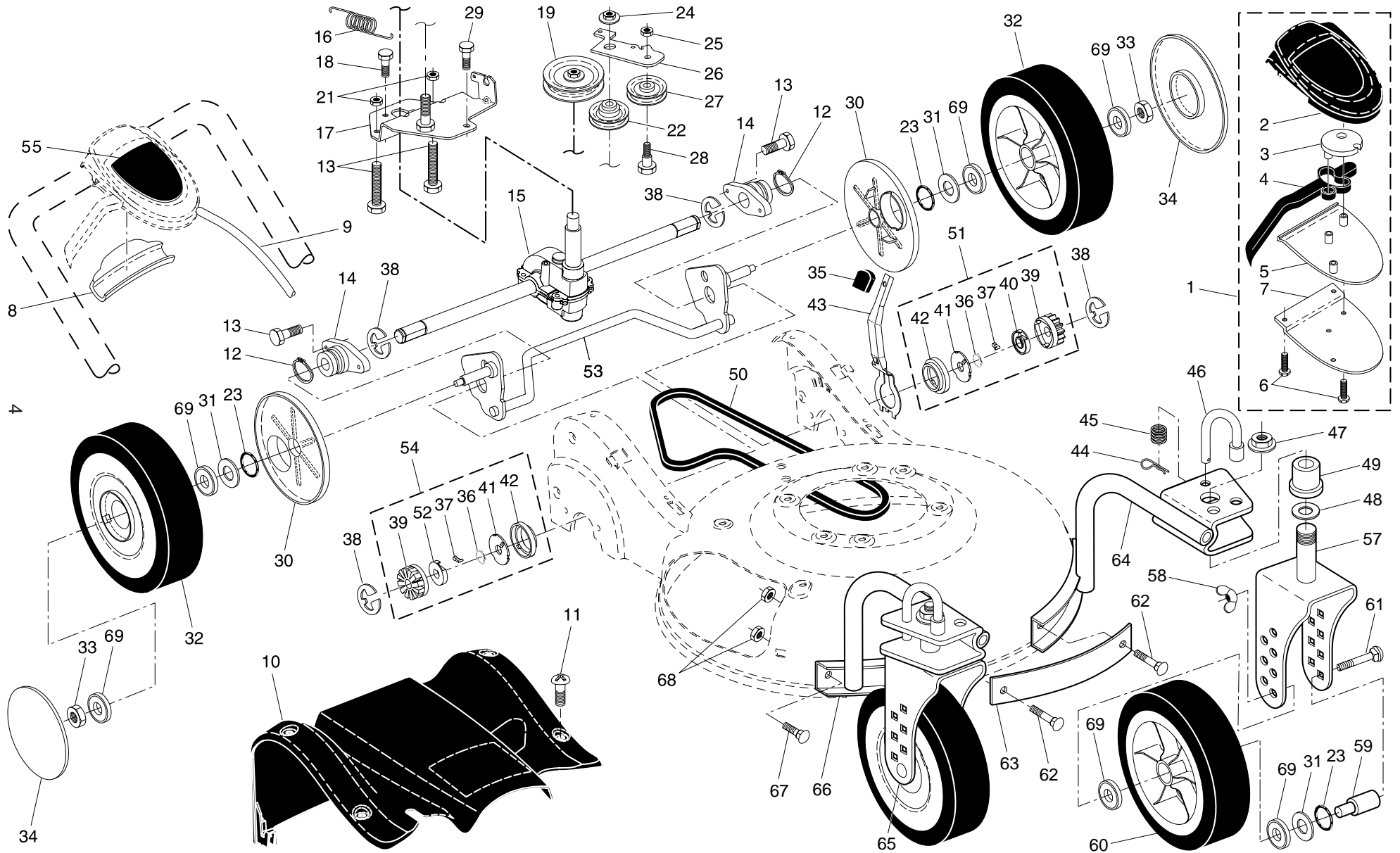


ROTARY LAWN MOWER - - MODEL NUMBER R152SVSW (96141006401) PRODUCT NUMBER 961 41 00-64

KEY NO.	PART NO.	DESCRIPTION	KEY NO.	PART NO.	DESCRIPTION
1	532 19 05-82	Handle, Grassbag, Rear	33	532 19 05-78	Discharge Chute, Plastic
2	532 06 53-22	Hairpin Cotter	34	532 19 06-19	Adjustment Bracket, Lower Handle, LH
3	532 18 34-83	Rod, Rear Handle, Grassbag	35	532 18 55-88	Knob, Star
4	532 40 18-98	Grassbag	36	532 19 41-87	Bolt, Shoulder
5	532 18 85-06	Frame, Grassbag	37	532 18 59-96	Deflector, Discharge
6	812 00 00-14	E-Ring	38	532 19 06-21	Adjustment Bracket, Lower Handle, RH
7	532 19 05-81	Door, Grassbag	39	532 19 15-74	Bolt, Handle
8	532 18 34-79	Rod, Pivot	40	532 06 64-26	Wire Tie
9	872 14 04-05	Bolt, Carriage 1/4-20	42	532 18 70-96	Handle Assembly, Lower
10	873 80 04-00	Nut, Hex, Nylock 1/4-20	43	532 18 62-98	Bail, Control
11	532 19 06-92	Foot Guard	44	532 18 27-48	Grip, Foam
15	532 15 04-06	Bolt, Engine Mounting	45	532 18 62-96	Handle Assembly, Upper (Includes Foam Grip)
16	532 19 93-77	Blade, 21"	46	532 19 77-40	Cable, Engine Zone Control
17	532 85 10-74	Washer, Hardened	47	532 75 06-34	Screw
18	532 85 02-63	Washer, Lock	48	532 12 52-03	Bracket, Upstop
19	532 19 17-60	Bolt, Hex Head, Grade 8	49	532 13 20-04	Nut, Hex
20	532 18 67-66	Adapter, Blade	50	532 18 85-01	Rope Guide
21	532 19 05-16	Debris Shield	51	532 40 07-37	Kit, Housing
22	817 60 04-06	Screw, Hex Head, Serrated	52	- - -	Engine, Honda, Model Number GCV160 (Order parts from Engine Manufacturer)
23	532 19 59-97	Mounting Bracket, Mulcher Door	53	532 40 18-96	Grassbag Assembly, Complete
24	532 19 17-30	Nut, Hex	54	532 18 90-14	Discharge Chute Assembly, Complete
25	532 18 34-45	Rod, Hinge	56	812 00 00-58	E-Ring
26	532 18 34-46	Spring, Mulcher Door	57	532 19 41-92	Stud, Threaded 1/4-20 x 5/8
27	532 18 21-66	Decal, Danger	--	532 18 21-34	Decal, Warning (not shown)
28	532 19 05-15	Mulcher Door	--	532 41 15-50	Operator's Manual, European
29	532 18 34-47	Knob	--	532 41 15-51	Operator's Manual, Scandinavian
30	532 19 05-80	Door, Discharge Chute	--	532 41 15-52	Operator's Manual, East Bloc
31	532 18 34-78	Spring, Door, Discharge Chute	--	532 41 15-53	Operator's Manual, Baltic
32	532 18 34-45	Rod, Door, Discharge Chute			

NOTE: All component dimensions given in U.S. inches. 1 inch = 25.4 mm. **IMPORTANT:** Use only Original Equipment Manufacturer (O.E.M.) replacement parts. Failure to do so could be hazardous, damage your lawn mower and void your warranty.

ROTARY LAWN MOWER - - MODEL NUMBER R152SVSW (96141006401) PRODUCT NUMBER 961 41 00-64



ROTARY LAWN MOWER - - MODEL NUMBER R152SVSW (96141006401) PRODUCT NUMBER 961 41 00-64

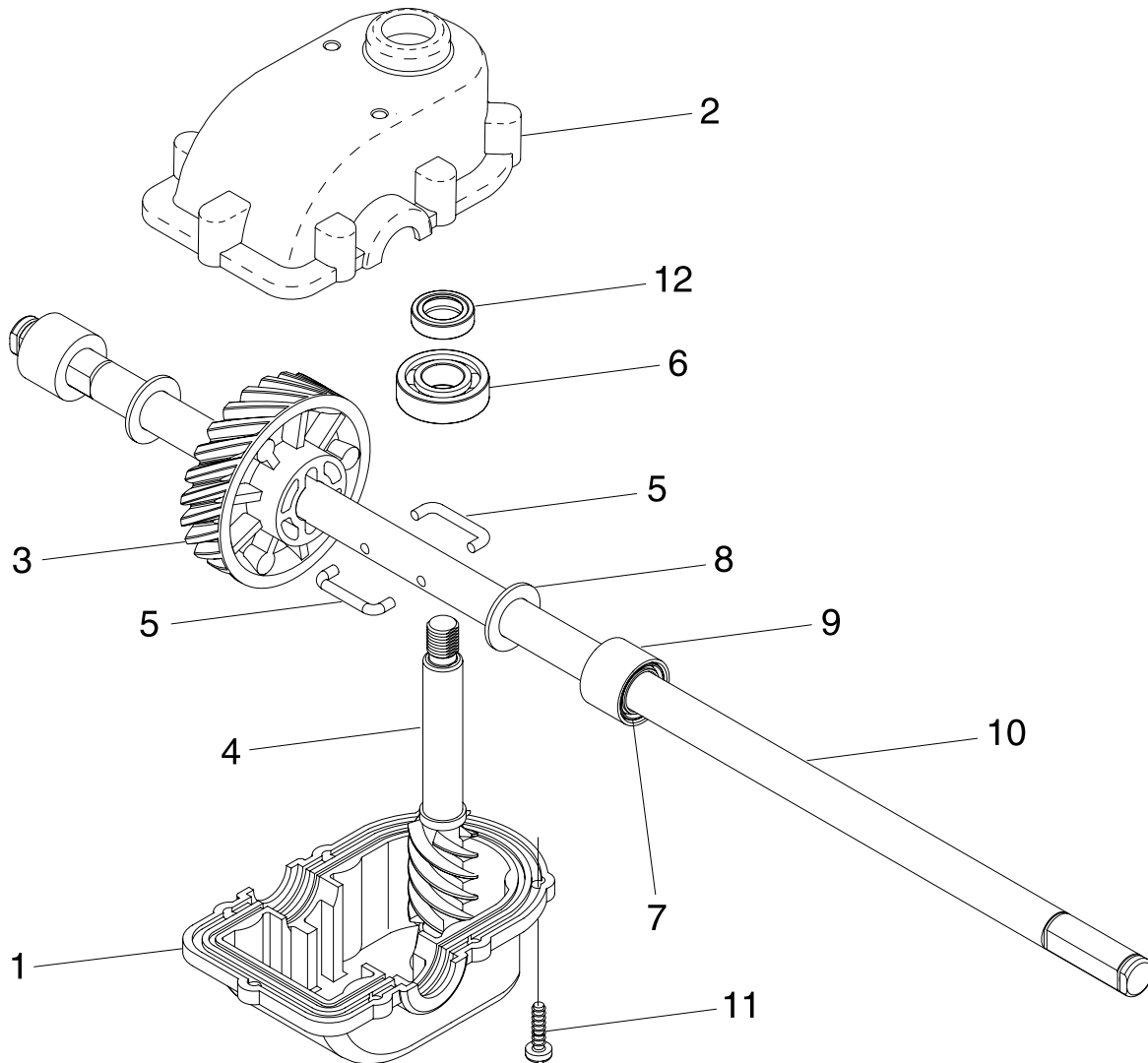
KEY NO.	PART NO.	DESCRIPTION	KEY NO.	PART NO.	DESCRIPTION
1	532 19 70-12	Drive Control Assembly, Complete	35	532 18 59-94	Knob
2	532 19 57-61	Cover, Drive Control, Top	36	532 18 82-91	Spring, Torsion
3	532 18 73-53	Pulley, Drive Control	37	532 17 50-98	Pawl
4	532 19 00-37	Lever, Drive Control	38	812 00 00-58	E-Ring
5	532 19 57-62	Cover, Drive Control, Bottom	39	532 17 51-03	Gear
6	532 18 16-98	Screw, Torx Head #8-5/8	40	532 17 51-05	Retainer, Drive, LH
7	532 18 70-97	Bracket, Mounting, Drive Control	41	532 17 51-04	Disc, Drive
8	532 40 07-23	Cap, Drive Control, Bottom	42	532 18 41-72	Seal, Friction
9	532 19 70-11	Cable, Drive Control	43	532 19 05-20	Lever, Selector, Wheel Height, Rear
10	532 19 05-65	Cover Assembly, Drive	44	532 06 53-22	Clip, Retainer
11	532 19 41-88	Screw	45	532 18 50-51	Spring
12	812 00 00-12	Ring, Retaining	46	532 18 50-54	Rod, Lock
13	532 19 41-86	Screw	47	532 18 72-47	Nut, Hex, Flangelock
14	532 18 71-20	Bearing / Axle Support	48	532 18 89-06	Washer, Flat 1/2
15	532 18 82-94	Gear Case Assembly (See Breakdown)	49	532 19 59-96	Bushing
16	532 19 41-24	Spring, Return	50	532 18 36-88	Belt, Drive
17	532 19 68-22	Bracket, Gear Case / Drive Pulley	51	532 18 83-31	Pinion Assembly, LH
18	532 16 34-09	Screw	52	532 17 51-02	Retainer, Drive, RH
19	532 19 41-28	Pulley, Drive	53	532 19 59-95	Rear Axle Assembly
21	532 13 20-04	Nut, Hex	54	532 18 83-30	Pinion Assembly, RH
22	532 19 37-91	Pulley Assembly, V-Groove	55	532 18 93-78	Decal, Drive Control
23	532 18 81-52	O-Ring	57	532 18 86-84	Bracket, Caster Wheel, LH
24	532 14 52-12	Nut, Hex, Flangelock	58	532 18 72-48	Wing Nut 5/16-18
25	873 93 05-00	Nut, Hex, Lock	59	532 18 51-11	Spacer
26	532 19 65-42	Idler Arm	60	532 19 22-31	Wheel Assembly, Front 9 x 2-1/4
27	532 16 60-43	Pulley, Idler	61	872 27 05-28	Bolt, Carriage 5/16-18 x 3-1/2
28	532 16 08-29	Bolt, Hex Head, Shoulder	62	532 18 74-74	Bolt, Carriage 5/16-18 x 7/8
29	817 06 04-10	Screw 1/4-20 x 1/16	63	532 18 84-75	Strap, Front
30	532 18 34-57	Cover, Dust, Wheel	64	532 18 86-81	Support Tube Assembly, LH
31	532 08 83-48	Washer, Flat 3/8	65	532 18 86-82	Bracket, Caster Wheel, RH
32	532 19 26-19	Wheel Assembly, Rear 9 x 2-1/4	66	532 18 86-83	Support Tube Assembly, RH
33	532 08 39-23	Nut, Hex	67	532 18 75-55	Bolt, Carriage 5/16-18 x 5/8
34	532 18 36-95	Hubcap	68	532 18 72-63	Nut, Hex 5/16
			69	532 75 10-68	Bearing, Ball (Wheel)

NOTE: All component dimensions given in U.S. inches. 1 inch = 25.4 mm. **IMPORTANT:** Use only Original Equipment Manufacturer (O.E.M.) replacement parts. Failure to do so could be hazardous, damage your lawn mower and void your warranty.

ROTARY LAWN MOWER - - MODEL NUMBER R152SVSW (96141006401)

PRODUCT NUMBER 961 41 00-64

GEARCASE ASSEMBLY - PART NUMBER 532 18 82-94



KEY NO.	PART NO.	DESCRIPTION
1	532 18 75-30	Case, Lower
2	532 19 12-45	Case, Upper
3	532 18 75-32	Gear, 24 Teeth
4	532 19 12-46	Shaft, Worm
5	532 18 35-05	Wireform
6	532 18 35-06	Bearing, Ball
7	532 18 35-08	Seal, Output Shaft
8	532 18 35-09	Washer
9	532 18 35-11	Bushing
10	532 19 12-47	Shaft, Output
11	532 18 35-13	Screw
12	532 18 35-14	Seal, Worm Shaft
--	532 75 03-69	Grease, Texaco Starplex Premium 1 (Do not substitute) (1.4 ounce capacity)

NOTE: All component dimensions given in U.S. inches. 1 inch = 25.4 mm.
IMPORTANT: Use only Original Equipment Manufacturer (O.E.M.) replacement parts.
 Failure to do so could be hazardous, damage your lawn mower and void your warranty.