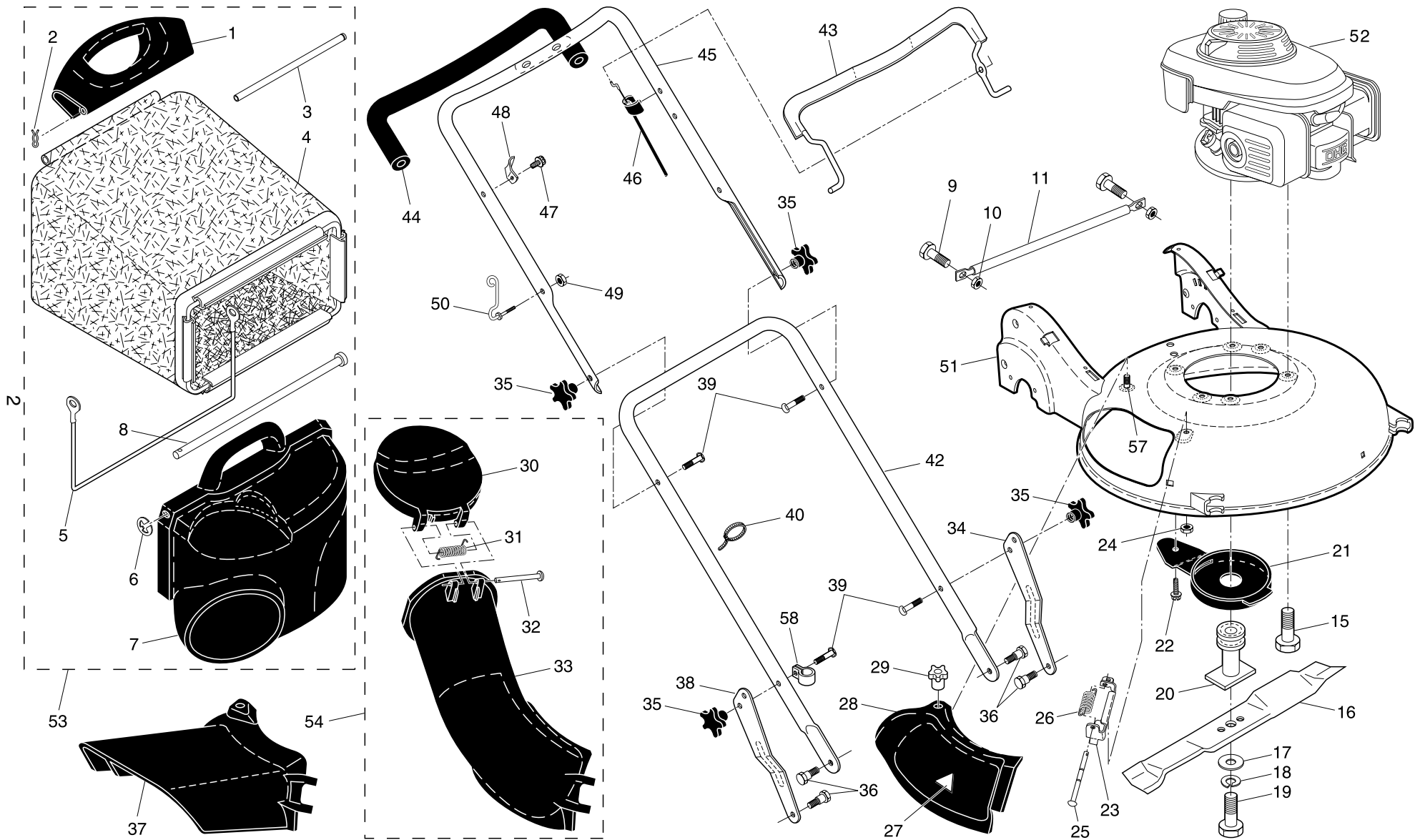


ROTARY LAWN MOWER - - CUSTOMER MODEL NO. **R152SVSW** (95417024400) PRODUCT NO. 954 17 02-44



ROTARY LAWN MOWER - - CUSTOMER MODEL NO. R152SVSW (95417024400) PRODUCT NO. 954 17 02-44

Correction:

Key No.

1 532 19 05-82 Handle, Grassbag, Rear

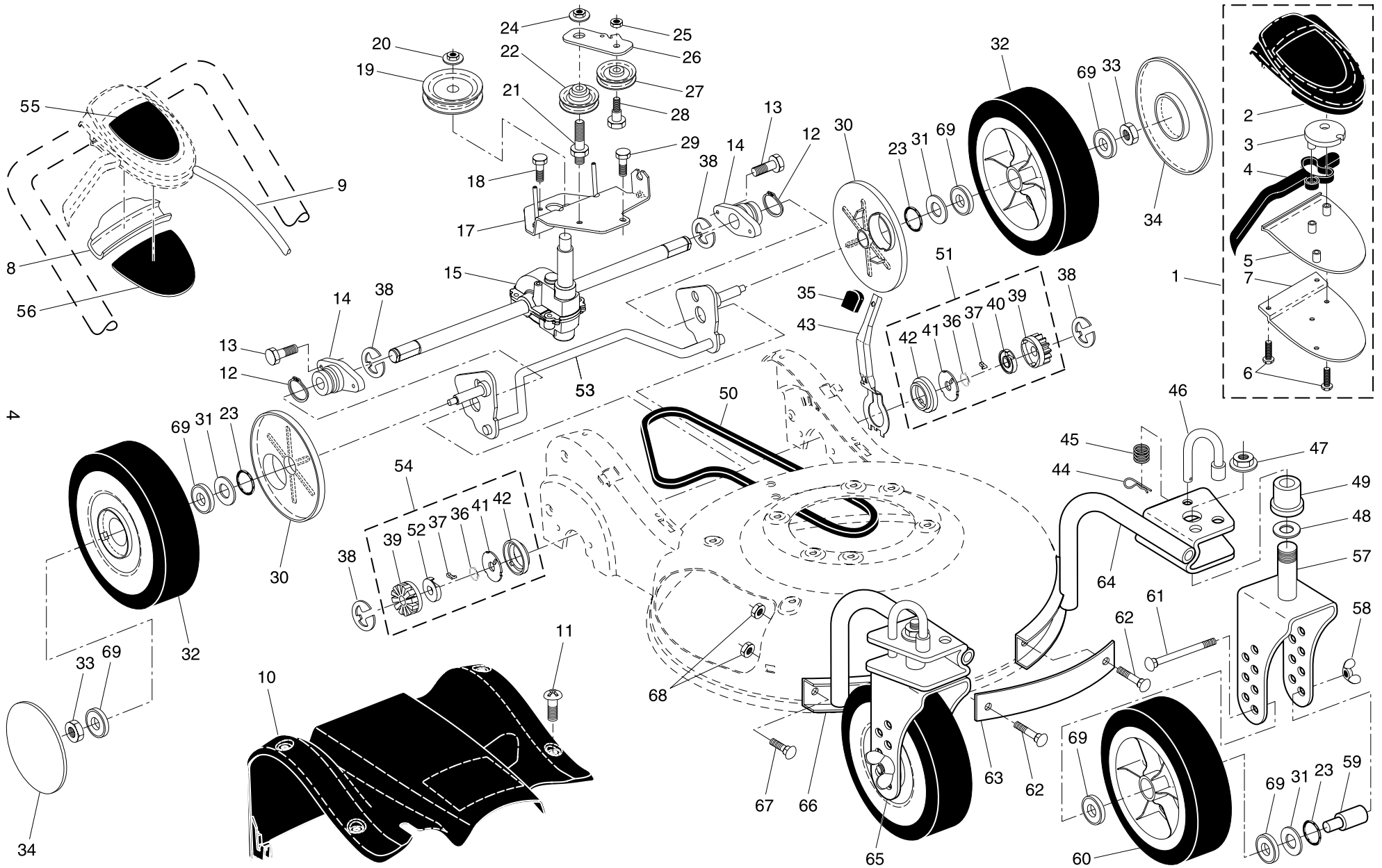
5 532 18 85-06 Frame, Grassbag

KEY NO.	PART NO.	DESCRIPTION	KEY NO.	PART NO.	DESCRIPTION
1	532 19 05-20	Handle, Grassbag, Rear	34	532 19 06-19	Adjustment Bracket, Lower Handle, LH
2	532 06 53-22	Hairpin Cotter	35	532 18 55-88	Knob, Star
3	532 18 34-83	Rod, Rear Handle, Grassbag	36	532 18 34-65	Bolt, Shoulder
4	532 19 40-86	Grassbag	37	532 18 59-96	Deflector, Discharge
5	532 18 85-05	Frame, Grassbag	38	532 19 06-21	Adjustment Bracket, Lower Handle, RH
6	812 00 00-14	E-Ring	39	532 19 15-74	Bolt, Handle
7	532 19 05-81	Door, Grassbag	40	532 06 64-26	Wire Tie
8	532 18 34-79	Rod, Pivot	42	532 18 70-96	Handle Assembly, Lower
9	872 14 04-05	Bolt, Carriage 1/4-20	43	532 18 62-98	Bail, Control
10	873 80 04-00	Nut, Hex, Nylock 1/4-20	44	532 18 27-48	Grip, Foam
11	532 19 06-92	Tube, Rear Skirt	45	532 18 62-96	Handle Assembly, Upper (Includes Foam Grip)
15	532 15 04-06	Bolt, Engine Mounting	46	532 16 43-22	Cable, Engine Zone Control
16	532 16 58-33	Blade, 21"	47	532 75 06-34	Screw
17	532 85 10-74	Washer, Hardened	48	532 12 52-03	Bracket, Upstop
18	532 85 02-63	Washer, Lock	49	532 13 20-04	Nut, Hex
19	532 19 17-60	Bolt, Hex Head, Grade 8	50	532 18 85-01	Rope Guide
20	532 18 67-66	Adapter, Blade	51	532 19 02-81	Kit, Housing
21	532 19 05-16	Debris Shield	52	- - -	Engine, Honda, Model Number GCV160 (Order parts from Engine Manufacturer)
22	817 60 04-06	Screw, Hex Head, Serrated	53	532 19 40-87	Grassbag Assembly, Complete (Consists of Key Numbers 1-8)
23	532 19 59-97	Mounting Bracket, Mulcher Door	54	532 18 90-14	Discharge Chute Assembly, Complete (Consists of Key Numbers 30-33)
24	532 75 11-52	Nut, Hex	57	532 18 86-34	Stud, Threaded 1/4-20 x 5/8
25	532 18 34-45	Rod, Hinge	58	532 19 27-70	Clip, Cable
26	532 18 34-46	Spring, Mulcher Door	--	532 18 21-91	Decal, Warning (not shown)
27	532 18 21-66	Decal, Danger	--	532 19 55-34	Operator's Manual, European
28	532 19 05-15	Mulcher Door	--	532 19 55-35	Operator's Manual, Scandinavian
29	532 18 34-47	Knob			
30	532 19 05-80	Door, Discharge Chute			
31	532 18 34-78	Spring, Door, Discharge Chute			
32	532 18 34-45	Rod, Door, Discharge Chute			
33	532 19 05-78	Discharge Chute, Plastic			

NOTE: All component dimensions given in U.S. inches.
1 inch = 25.4 mm

IMPORTANT: Use only Original Equipment Manufacturer (O.E.M.) replacement parts. Failure to do so could be hazardous, damage your lawn mower and void your warranty.

ROTARY LAWN MOWER - - CUSTOMER MODEL NO. R152SVSW (95417024400) PRODUCT NO. 954 17 02-44



ROTARY LAWN MOWER - - CUSTOMER MODEL NO. R152SVSW (95417024400) PRODUCT NO. 954 17 02-44

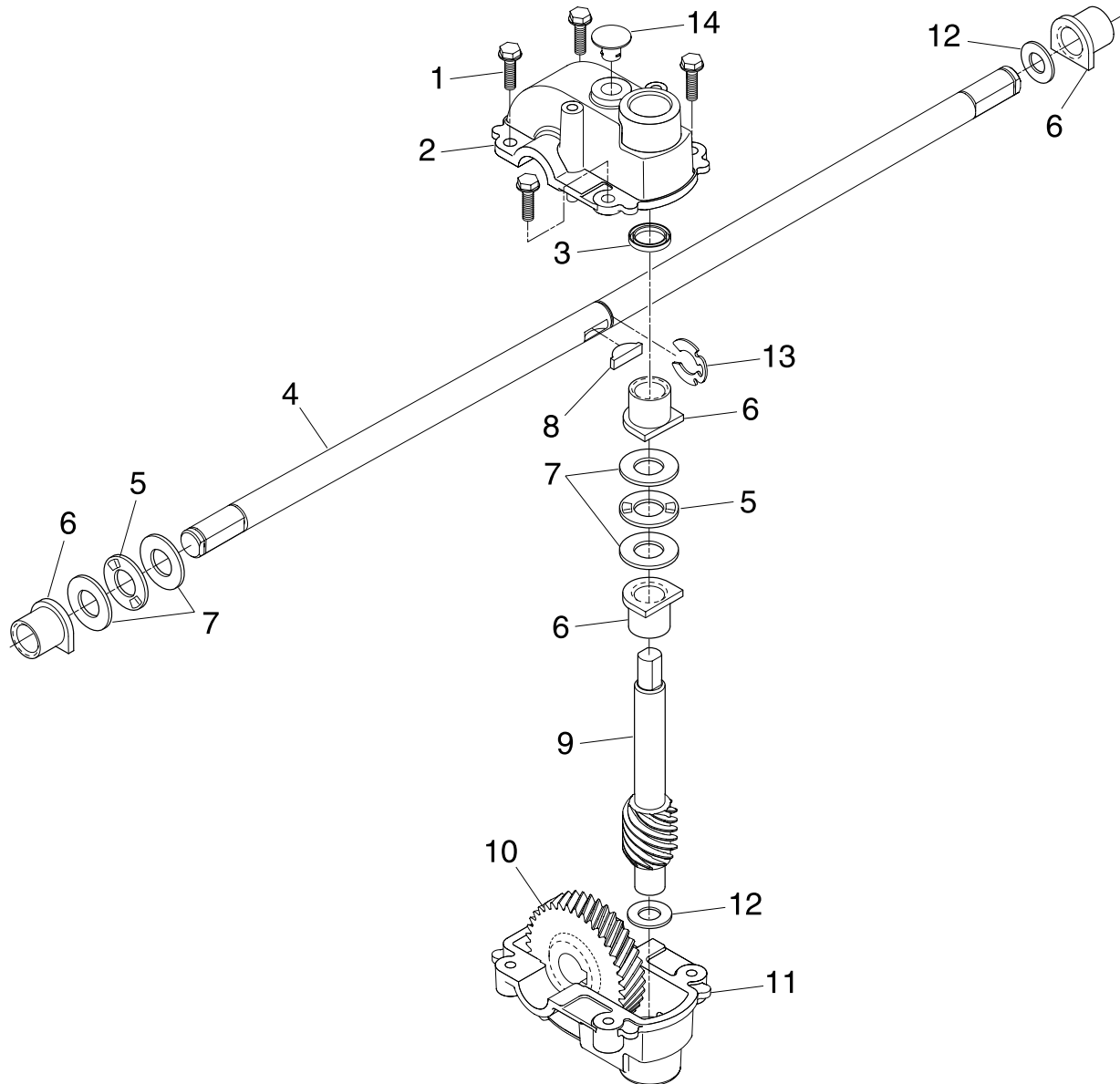
KEY NO.	PART NO.	DESCRIPTION	KEY NO.	PART NO.	DESCRIPTION
1	532 18 53-12	Drive Control Assembly, Complete (Consists of Key Numbers 2 through 7)	36	532 18 82-91	Spring, Torsion
2	532 18 82-79	Cover, Drive Control, Top	37	532 17 50-98	Pawl
3	532 18 73-53	Pulley, Drive Control	38	812 00 00-58	E-Ring
4	532 19 00-37	Lever, Drive Control	39	532 17 51-03	Gear
5	532 18 82-78	Cover, Drive Control, Bottom	40	532 17 51-05	Retainer, Drive, LH
6	532 18 16-98	Screw, Torx Head #8-5/8	41	532 17 51-04	Disc, Drive
7	532 18 70-97	Bracket, Mounting, Drive Control	42	532 18 41-72	Seal, Friction
8	532 18 62-97	Cap, Drive Control, Bottom	43	532 19 05-20	Lever, Selector, Wheel Height, Rear
9	532 19 57-52	Cable, Drive Control	44	532 06 53-32	Clip, Retainer
10	532 19 05-65	Cover Assembly, Drive	45	532 18 50-51	Spring
11	532 18 45-71	Screw	46	532 18 50-54	Rod, Lock
12	812 00 00-12	Ring, Retaining	47	532 18 72-47	Nut, Hex, Flangelock
13	532 18 34-50	Screw	48	532 18 89-06	Washer, Flat 1/2
14	532 18 71-20	Bearing / Axle Support	49	532 19 59-96	Bushing
15	532 18 36-99	Gear Case Assembly (See Breakdown)	50	532 18 36-88	Belt, Drive
16	532 75 10-68	Bearing, Ball (Wheel)	51	532 18 83-31	Pinion Assembly, LH
17	532 18 70-93	Bracket, Gear Case / Drive Pulley	52	532 17 51-02	Retainer, Drive, RH
18	817 54 10-11	Screw	53	532 19 59-95	Rear Axle Assembly
19	532 18 94-08	Pulley, Drive	54	532 18 83-30	Pinion Assembly, RH
20	532 13 20-10	Nut, Hex, Flangelock	55	532 18 93-78	Decal, Drive Control
21	532 18 86-11	Bolt, Idler	56	532 18 93-79	Decal, Drive Control Adjustment (bottom)
22	532 18 45-43	Pulley Assembly, V-Groove	57	532 18 76-82	Bracket, Caster Wheel, LH
23	532 18 81-52	O-Ring	58	532 18 72-48	Wing Nut 5/16-18
24	532 14 52-12	Nut, Hex, Flangelock	59	532 18 51-11	Spacer
25	873 93 05-00	Nut, Hex, Lock	60	532 19 22-31	Wheel Assembly, Front 9 x 2-1/4
26	532 18 70-98	Idler Arm	61	872 27 05-28	Bolt, Carriage 5/16-18 x 3-1/2
27	532 16 60-43	Pulley, Idler	62	532 18 74-74	Bolt, Carriage 5/16-18 x 7/8
28	532 16 08-29	Bolt, Hex Head, Shoulder	63	532 18 74-67	Strap, Front
29	817 06 04-10	Screw 1/4-20 x 1/16	64	532 18 76-83	Support Tube Assembly, LH
30	532 18 34-57	Cover, Dust, Wheel	65	532 18 76-84	Bracket, Caster Wheel, RH
31	532 08 83-48	Washer, Flat 3/8	66	532 18 76-85	Support Tube Assembly, RH
32	532 19 26-19	Wheel Assembly, Rear 9 x 2-1/4	67	532 18 75-55	Bolt, Carriage 5/16-18 x 5/8
33	532 08 39-23	Nut, Hex	68	532 18 72-63	Nut, Hex 5/16
34	532 18 36-95	Hubcap			
35	532 18 59-94	Knob			

NOTE: All component dimensions given in U.S. inches.
1 inch = 25.4 mm

IMPORTANT: Use only Original Equipment Manufacturer (O.E.M.) replacement parts. Failure to do so could be hazardous, damage your lawn mower and void your warranty.

**ROTARY LAWN MOWER - - CUSTOMER MODEL NO. R152SVSW
(95417024400) PRODUCT NO. 954 17 02-44**

GEARCASE ASSEMBLY - PART NUMBER 532 18 36-99



KEY NO.	PART NO.	DESCRIPTION
1	817 54 10-11	Screw, Tapping #10-24 x .668
2	532 16 06-72	Gear Case, Upper
3	532 05 70-72	Seal
4	532 18 39-08	Drive Shaft
5	532 16 08-18	Bearing, Needle, Thrust
6	532 07 78-81	Bearing
7	532 16 08-17	Washer, Thrust
8	532 85 08-48	Key, Hi-pro
9	532 18 41-34	Shaft, Worm
10	532 16 06-79	Gear, Helical
11	532 16 06-73	Gear Case, Lower
12	532 05 70-79	Washer, Hardened
13	812 00 00-39	E-Ring
14	532 08 64-47	Plug
--	532 75 03-69	Grease
--	532 18 42-08	Kit, Gearcase Replacement (Includes Grease)

NOTE: All component dimensions given in U.S. inches.
1 inch = 25.4 mm