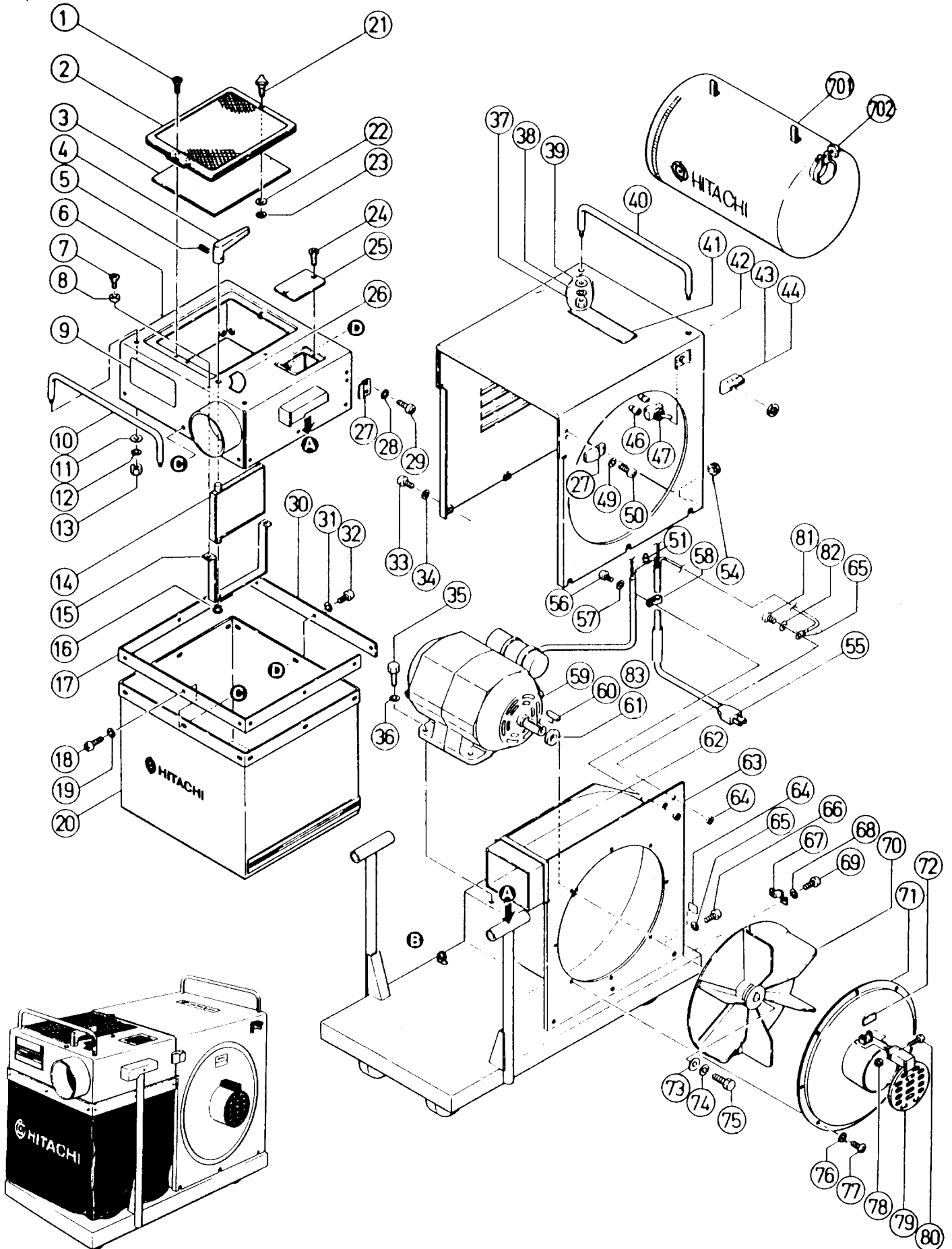




# HITACHI

# COLLECTOR

# Model R 100



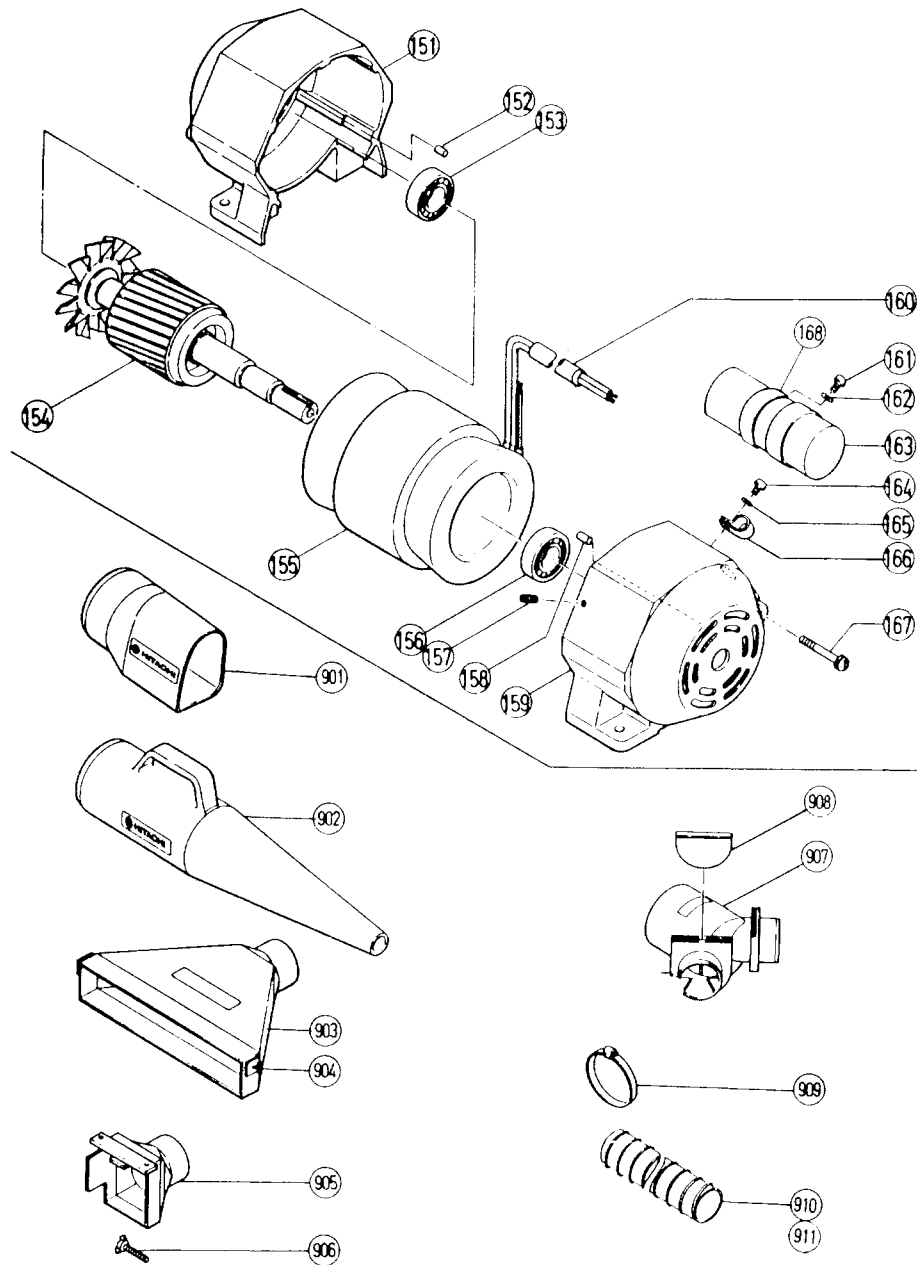
ITEM NO.	PART NO.	NO. USED	DESCRIPTION	SUPPLY Q'TY	ITEM NO.	PART NO.	NO. USED	DESCRIPTION	SUPPLY Q'TY
1	949322	2	Flat Head Screw M4×10	10	40	976496	1	Handle	
2	976503	1	Filter Cover		41	988113	1	Decoration Name Plate	
3	976502	1	Filter		42	976491	1	Motor Cover	
4	976507	1	Lever		43	976497	1	Switch Cover	
5	949499	1	Roll Pin D4×20	10	44	932161	1	Switch Name Plate	
6	976498	1	Dust Cover		46	974788	2	Cap	
7	949322	2	Flat Head Screw M4×10	10	47	934246	1	Snap Switch	
8	976506	2	Washer		49	949541	4	Spring Washer M3	10
9	—	1	Name Plate		50	949202	4	Machine Screw M3×6	10
10	976496	1	Handle		51	959140	1	Connector 50091	10
11	949433	2	Bolt Washer M8	10	54	948613	1	Cord Armor	
12	949457	2	Spring Washer M8	10	55	977202	1	Cord	
13	949558	2	Nut M8	10	56	949216	1	Machine Screw M4×10	10
14	976504	1	Valve		57	949453	1	Spring Washer M4	10
15	976505	1	Hinge		58	967579	1	Nylon Clip	
16	939542	1	Retaining Ring 12MM	10	59	—	1	Motor R100M	
17	976500	1	Band (A)		60	948059	1	Key 5×5×30	
18	949216	9	Machine Screw M4×10	10	61	977201	1	Felt Packing	
19	949453	9	Spring Washer M4	10	62	976534	1	Foot	
20	976499	1	Dust Bag		63	977200	1	Base	
21	976533	1	Knob (A)		64	949555	1	Nut M5	10
22	949431	1	Bolt Washer M5	10	65	959144	1	Terminal 50051	10
23	968643	1	Retaining Ring 4MM		67	934028	1	Cord Clip	
24	949322	2	Flat Head Screw M4×10	10	68	949453	2	Spring Washer M4	10
25	976508	1	Cover		69	949216	2	Machine Screw M4×10	10
26	977205	1	Mark Plate		70	976492	1	Fan	
27	974186	2	Hook		71	976494	1	Casing Cover	
28	949451	4	Spring Washer M3	10	72	—	1	Caution Label	
29	949202	4	Machine Screw M3×6	10	73	976493	1	Stop Washer	
30	976501	1	Band (B)		74	949457	1	Spring Washer M8	10
31	949453	3	Spring Washer M4	10	75	949624	1	Bolt M8×20	10
32	949216	3	Machine Screw M4×10	10	76	949453	8	Spring Washer M4	10
33	949216	6	Machine Screw M4×10	10	77	949216	8	Machine Screw M4×10	10
34	949453	6	Spring Washer M4	10	78	975333	1	Nylon Nut M5	
35	949626	4	Bolt M8×25	10	79	976495	1	Safety Cover	
36	949457	4	Spring Washer M8	10	80	949247	1	Machine Screw M5×35	10
37	949558	2	Nut M8	10	81	949236	1	Machine Screw M5×10	10
38	949457	2	Spring Washer M8	10	82	949454	1	Spring Washer M5	10
39	949433	2	Bolt Washer M8	10	83	—	1	Vinyl Tube D9×T0.5×240MM	



# HITACHI

## COLLECTOR

## Model R 100



ITEM NO.	PART NO.	NO. USED	DESCRIPTION	SUPPLY Q'TY	ITEM NO.	PART NO.	NO. USED	DESCRIPTION	SUPPLY Q'TY
150	—		Motor R100-M includes Item 151-168		166	948614	1	Nylon Clip	
151	976535	1	Housing		167	976514	2	Machine Screw M6×100 w / Spring Washer	
152	976441	1	Bearing Lock		168	977204	1	Condenser Holder	
153	6302VV	1	Ball Bearing 6302VVCMP2S		701	976515	1	Dust Bag (B) Assembly (includes Item 702)	
154	976512	1	Rotor		702	976544	1	Hose Band (A)	
155	977203C	1	Stator		901	976522	1	Hood (Planer)	
156	6004VV	1	Ball Bearing 6004VVCMP2S		902	976521	1	Hood	
157	966292	1	Hex. Socket Head. Screw M5×12		903	976524	1	Hood Assembly (includes Item 904)	
158	976441	1	Bearing Lock		904	949394	1	Wing Bolt M6×10	10
159	976511	1	Housing		905	976543	1	Hood Assembly (includes Item 907)	
160	—	1	Vinyl Tube D9×T0.5×380MM		906	976545	2	Wing Bolt M8×50	
161	949216	1	Machine Screw M4×10	10	907	976546	1	Forked Hood Assembly (includes Item 909)	
162	949453	1	Spring Washer M4	10	908	976702	1	Shutter	
163	975622	1	Condenser		909	976528	1	Hose Band	
164	949216	1	Machine Screw M4×10	10	910	959675	1	Duct Hose D100×5M	
165	949453	1	Spring Washer M4	10	911	959676	1	Duct Hose D100×10M	