

**RIDGID**  
**18V Brad Nailer**  
**Model No. R09890**  
**Repair Sheet**

**RIDGID**  
**Cloueuse à parquet 18 V**  
**No. de modèle R09890**  
**Feuille de réparation**

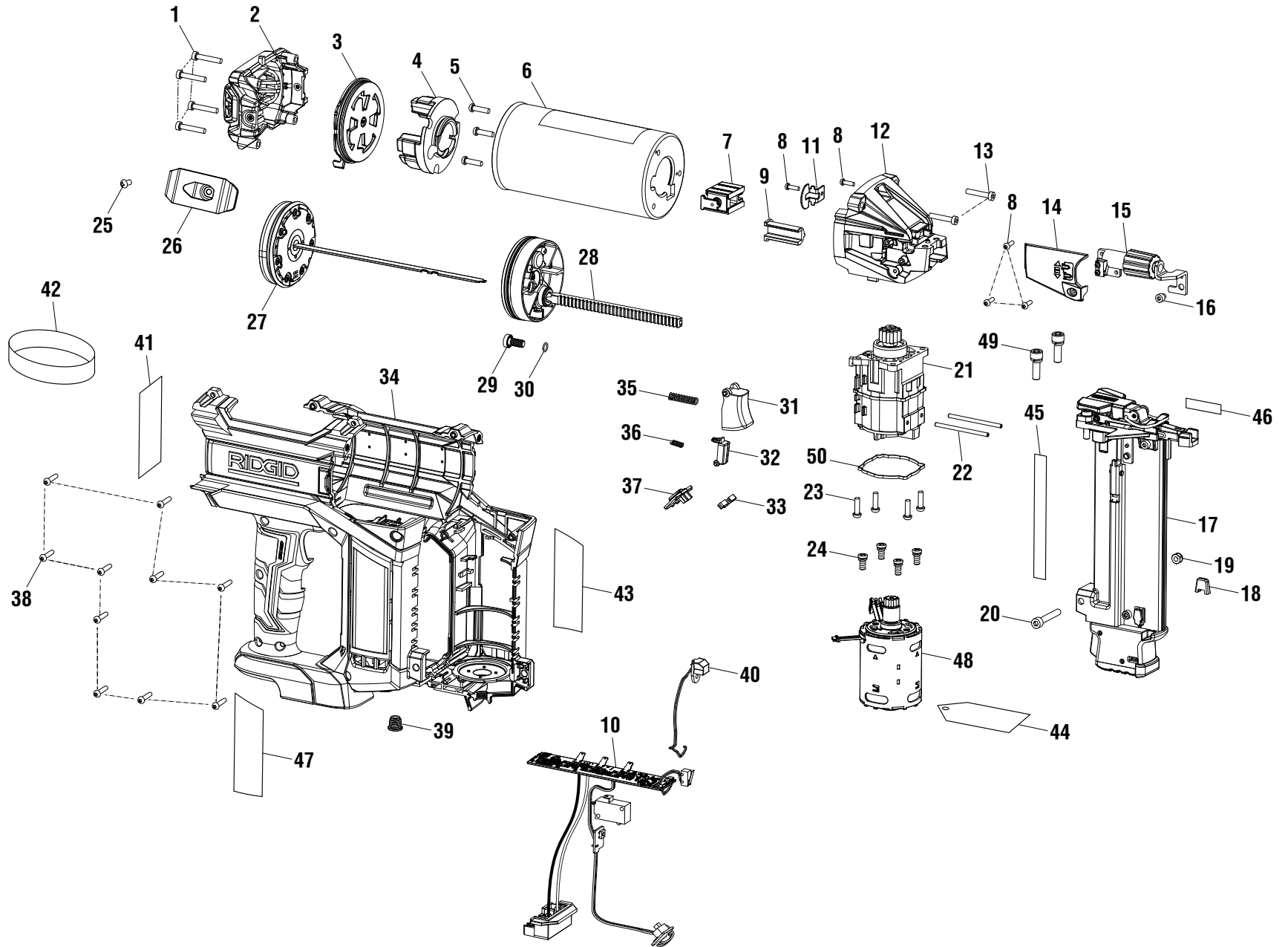
**RIDGID**  
**Clavadora de puntillas de 18 V**  
**Modelo R09890**  
**Listas de piezas de repuesto**

**ONE WORLD TECHNOLOGIES, INC.**

P.O. Box 1427

Anderson, SC 29622, USA

1-866-539-1710 ■ [www.RIDGID.com](http://www.RIDGID.com)





R09890

KEY NO.	PART NUMBER	DESCRIPTION	QTY
1	T662225001	Screw (M4 x 22 mm, Hex Soc. Hd.)	4
2	352131001	End Cap	1
3	203663001	Filter Shutter Assembly (Inc. Key Nos. 1-2)	1
4	564051001	Bumper	1
5	661923001	Screw (M4 x 15 mm)	3
6	203715001	Cylinder w/Label	1
7	203664001	Latch Assembly	1
8	660380008	Screw (M3 x 10 mm)	5
9	612775002	Rack Guide	1
10	203672001	Circuit Board Assembly (Inc. Key No. 40)	1
11	636592001	Block Plate	1
12	203963001	Gearbox Cover Assembly (Inc. Key No. 13)	1
13	660385014	Screw (M5 x 20 mm, T25 Torx Pan Hd.)	2
14	528417001	Depth of Drive Cover	1
15	203665001	Depth Adjustment Assembly (Inc. Key Nos. 8 and 14)	1
16	661853002	Screw (M4 x 4 mm, Hex Soc. Hd.)	1
17	203666001	Magazine Assembly (Inc. Key Nos. 16, 18-20 and 45-46)	1
18	527262003	No-Mar Pad	1
19	670974003	Lock Nut (M5)	1
20	660180005	Screw (M5 x 32 mm, Hex Soc. Hd.)	1
21	203667001	Gearbox Assembly (Inc. Key Nos. 22-24)	1
22	673225003	Pin	2
23	660414015	Screw (M4 x 14 mm, T20 Torx Pan Hd.)	4
24	662088003	Screw w/Washer (M5 x 10.5 mm, Pan Hd.)	4
25	660212001	Screw (M4 x 6 mm, Pan Hd.)	1
26	636720001	Belt Hook	1
27	206409001	Driver Piston Assembly	1
28	203669001	Elevator Piston Assembly	1
29	662023004	Screw (M6 x 13 mm, Hex Soc. Hd.)	1

KEY NO.	PART NUMBER	DESCRIPTION	QTY
30	563347001	O-Ring	1
31	524418003	Trigger	1
32	524852003	LED Trigger	1
33	634401001	Spring Plate	1
34	203671001	Housing Assembly (Inc. Key Nos. 43 and 47)	1
35	694199001	Compression Spring	1
36	692784001	Compression Spring	1
37	524689003	Mode Trigger	1
38	660031029	Screw (M3.5 x 16 mm, T10 Torx Pan Hd.)	10
39	529147001	Screw Plug	1
40	291524001	LED Assembly	1
41	941114129	Instruction Label	1
42	941114110	Trigger Wrap Warning Label	1
43	941114128	Logo Label	1
44	961152369	Danger Label Hangtag	1
45	941488137	Data Label	1
46	941488138	Fastener Label	1
47	941114127	Warning Label	1
48	206408001	Motor Assembly	1
49	661749002	Screw and Washer Assembly	2
50	591457001	Gearbox Gasket	1

**Not Shown:**

- 991000195 Operator's Manual
- 206453001 Piston Maintenance Kit
- 203819001 WCE Maintenance Kit
- 203673001 Seal Kit
- 932009093 Tool Bag
- 203681001 Nails (18 Gauge, 1-1/4 in., 500 pieces)
- 6-26-18
- (Rev:05)