

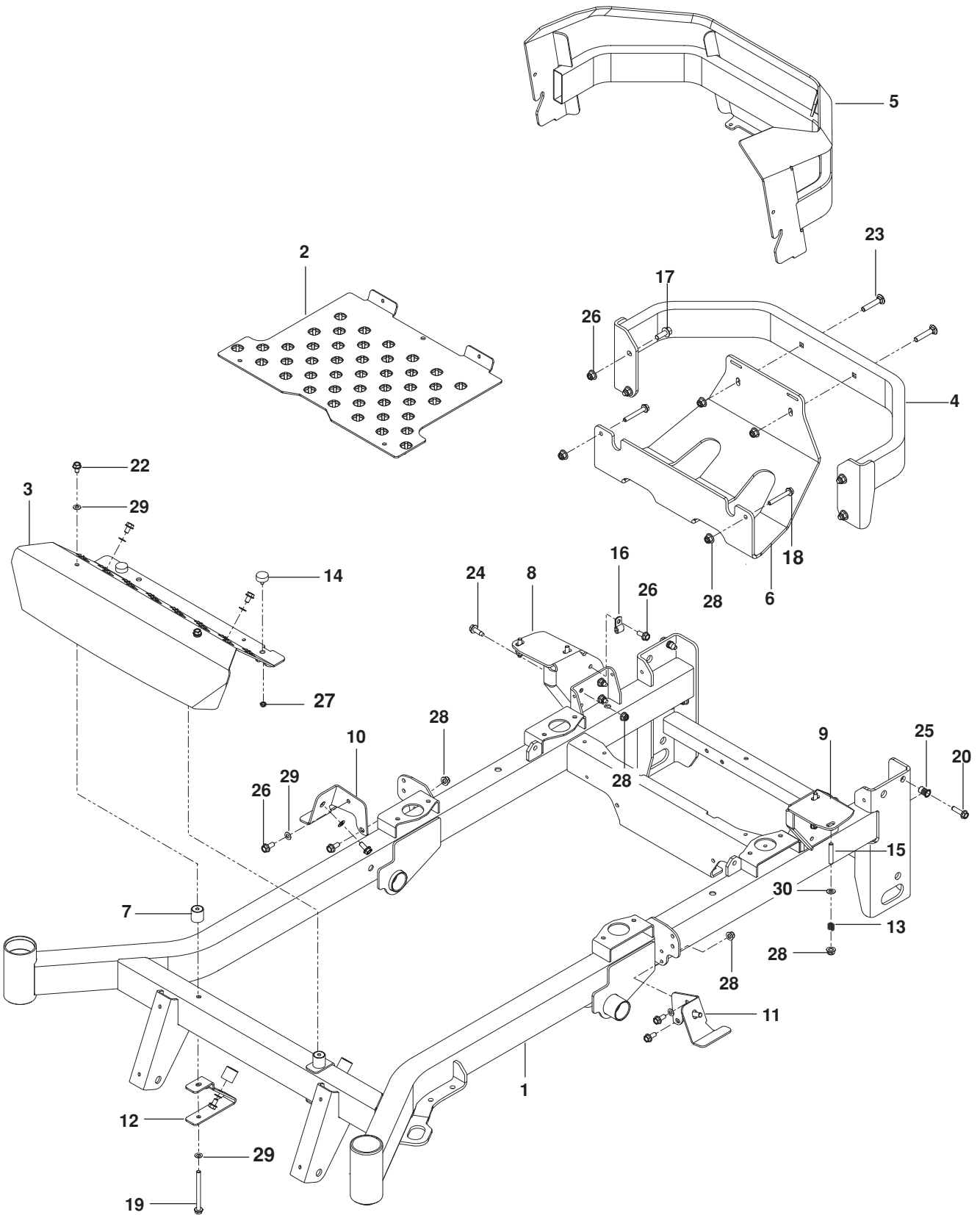
Gasoline containing up to 10% ethanol (E10) is acceptable for use in this machine. The use of any gasoline exceeding 10% ethanol (E10) will void the product warranty.

Parts Manual **PZ54 / 966614003**



Please read the operator's manual carefully and make sure you understand the instructions before using the machine.

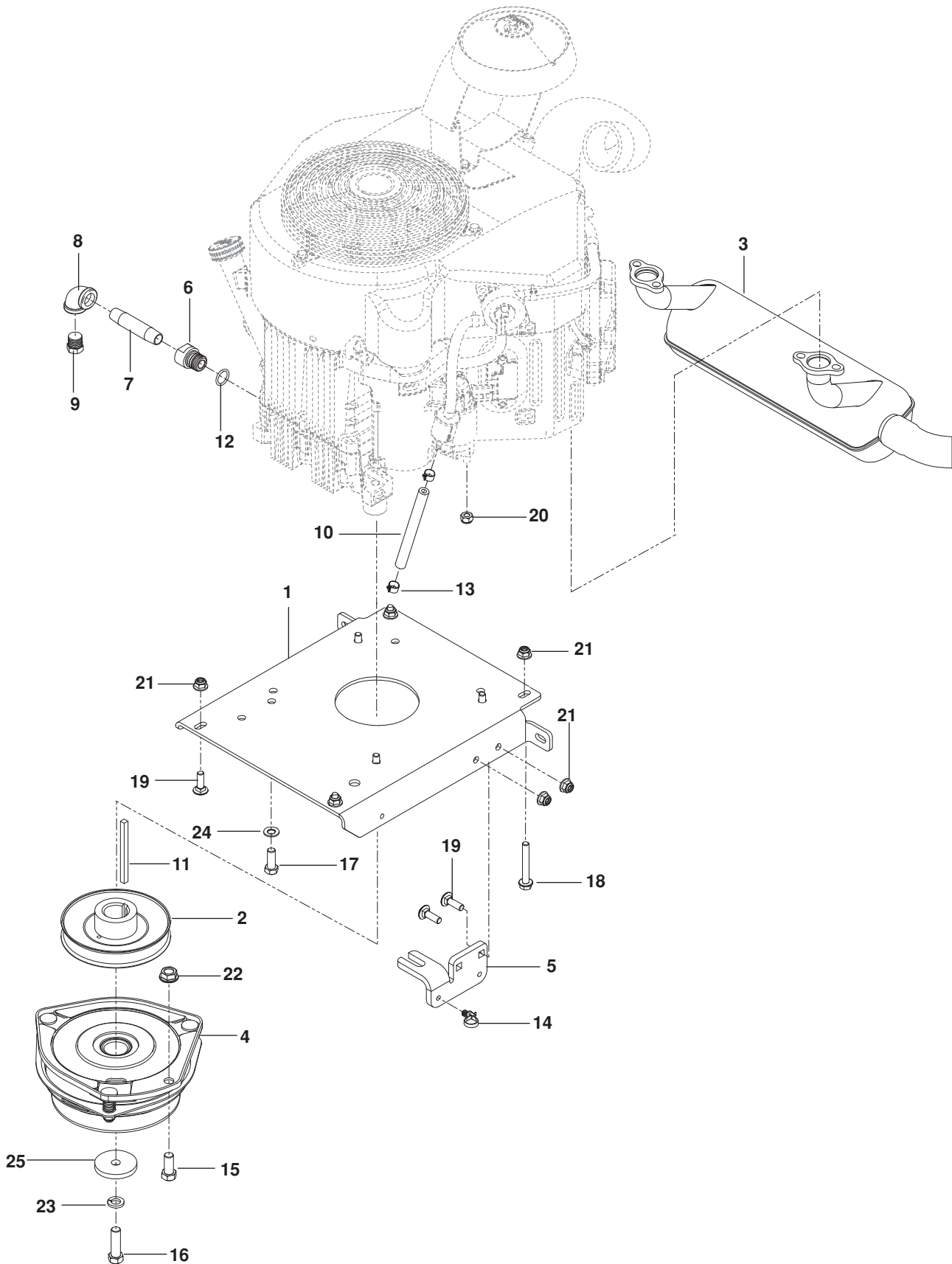
FRAME



FRAME

ITEM	PART NO.	QTY.	DESCRIPTION	ITEM	PART NO.	QTY.	DESCRIPTION
1..	574 482801....	1....	FRAME w/ SAFETY DECALS	16..	539 109867....	1....	CLAMP, DOUBLE TUBE
2..	574 215602....	1....	FLOORPAN	17..	525 612801....	4....	HHFS $\frac{3}{8}$ -16 x 1 HEX FLG
3..	574 215702....	1....	FOOTREST	18..	574 233801....	2....	HHFS $\frac{5}{16}$ -18 x 2 $\frac{1}{4}$ HEX FLG
4..	522 675702....	1....	BUMPER, REAR	19..	539 131780....	2....	HHFS $\frac{5}{16}$ -18 x 3 $\frac{3}{4}$ HEX FLG
5..	574 221602....	1....	GUARD, REAR	20..	525 544001....	2....	HHFS $\frac{5}{16}$ -18 x 1 $\frac{1}{4}$ TPBLT
6..	574 228602....	1....	PLATE, SKID	21..	525 464701....	7....	HHFS $\frac{5}{16}$ -18 x $\frac{3}{4}$ HEX FLG
7..	510 083201....	4....	MOUNT, F/F INSERT	22..	539 990858....	6....	HCS $\frac{5}{16}$ -18 x $\frac{1}{2}$ SLF TAP
8..	529 279603....	1....	MOUNT, TANK RT RR	23..	539 100145....	2....	RHSNB $\frac{3}{8}$ -16 x 2
9..	529 279703....	1....	MOUNT, TANK LT RR	24..	539 113226....	6....	BOLT $\frac{5}{16}$ -18 x 1 THD FRM
10..	529 279903....	1....	MOUNT, TANK RT FRT	25..	539 111028....	2....	NUTSERT $\frac{5}{16}$ -18
11..	529 280003....	1....	MOUNT, TANK LT FRT	26..	521 996501....	7....	NUT $\frac{3}{8}$ -16 HEX FLG NYLOC
12..	510 040301....	2....	BRACKET, REST MOUNT	27..	539 108120....	2....	NUT $\frac{1}{4}$ -20 HEX THIN NYLOC
13..	539 102845....	4....	SPRING, TANK MOUNT	28..	539 112899..	14....	NUT $\frac{5}{16}$ -18 HEX FLG NYLOC
14..	575 811501....	2....	BUMPER, $\frac{1}{4}$ -20 STUD $\frac{3}{8}$ "	29..	539 109600..	12....	WASHER $\frac{5}{16}$ DISC SPRING
15..	539 102502....	4....	STUD, FUEL TANK	30..	539 990188....	4....	WASHER $\frac{5}{16}$ SAE FLAT

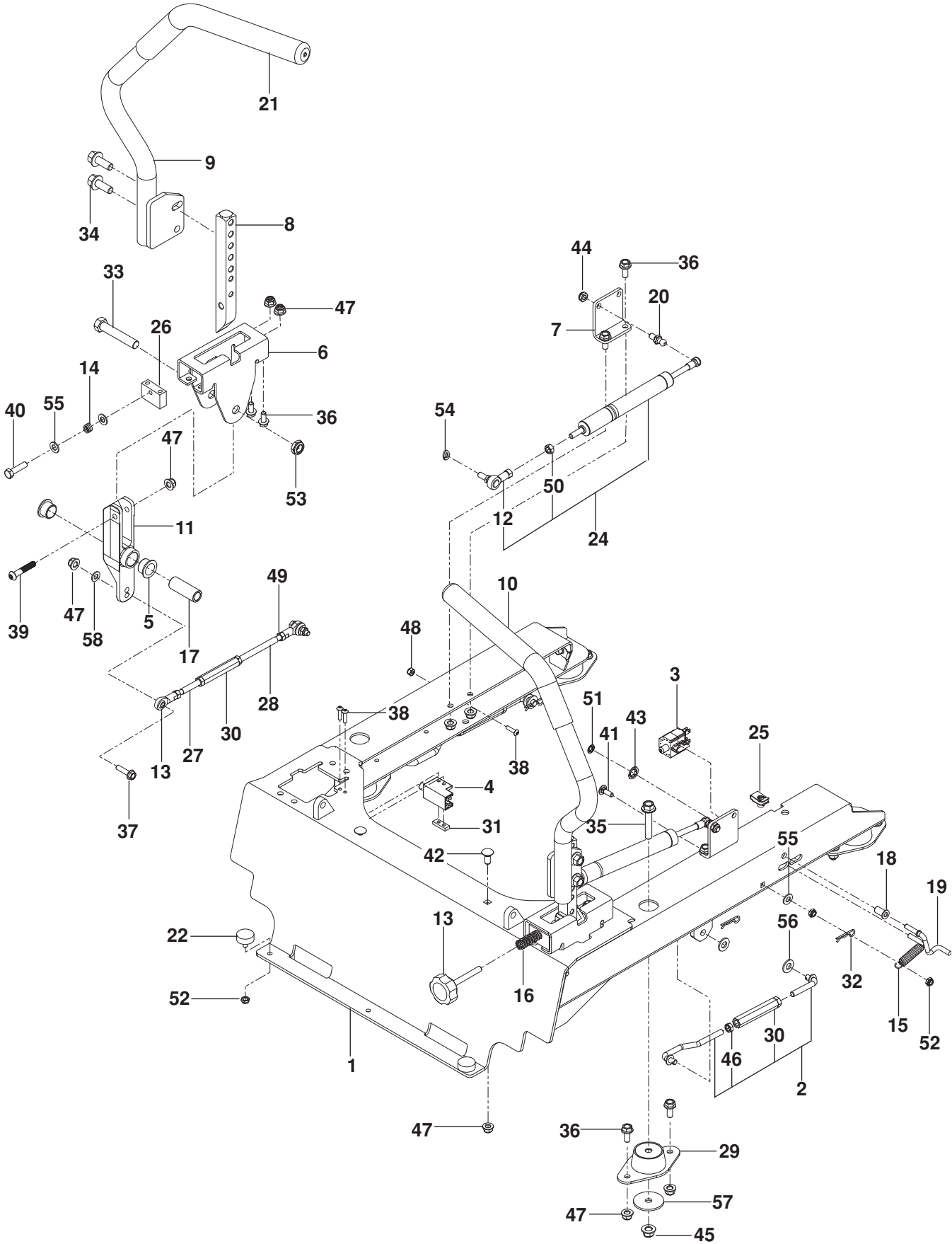
ENGINE PLATE



ENGINE PLATE

ITEM	PART NO.	QTY.	DESCRIPTION	ITEM	PART NO.	QTY.	DESCRIPTION
1..	510 004602....	1....	PLATE, ENGINE	15..	539 100143....	1....	HCS 7/16-14 x 1 HEX NYLOC
2..	510 019801....	1....	PULLEY, ENGINE	16..	539 100141....	1....	HCS 7/16-20 x 1 1/2 HEX NYL
3..	525 750301....	1....	MUFFLER	17..	539 990563....	4....	HCS 3/8-16 x 1 HEX NYLOC
4..	525 749501....	1....	CLUTCH, GT 3.5	18..	574 233801....	2....	HHFS 5/16-18 x 2 1/4 HEX FLG
5..	522 676702....	1....	STOP, CLUTCH	19..	539 990208....	2....	RHSNB 5/16-18 x 1
6..	539 119680....	1....	ADAPTOR, OIL DRAIN	20..	539 103153....	1....	NUT M8X1.25 NYLOC
7..	539 118911....	2....	PIPE 3/8 NPT x 3"	21..	539 112899....	6....	NUT 5/16-18 HEX FLG NYLOC
8..	539 105072....	1....	ELBOW 90°	22..	539 102582....	1....	NUT 7/16-14 HEX WHIZ LK
9..	522 837001....	1....	PLUG, DRAIN 3/8 NPTF	23..	539 990247....	1....	WASHER 7/16 SLW
10..	539 932956....	1....	FUEL LINE 10"	24..	539 102593....	4....	WASHER 3/8 SPRING
11..	525 749901....	1....	KEY 1/4 SQ x 3 1/2	25..	539 125626....	1....	WASHER, HEAVY
12..	539 109618....	1....	O-RING	NOT SHOWN			
13..	539 912222....	2....	CLAMP, HOSE		525 554201 ...	1....	ENGINE HARNESS, KAW
14..	505 280001....	1....	TIE WRAP w/ CLIP		574 825801 ...	1....	KIT, SPARK ARRESTOR

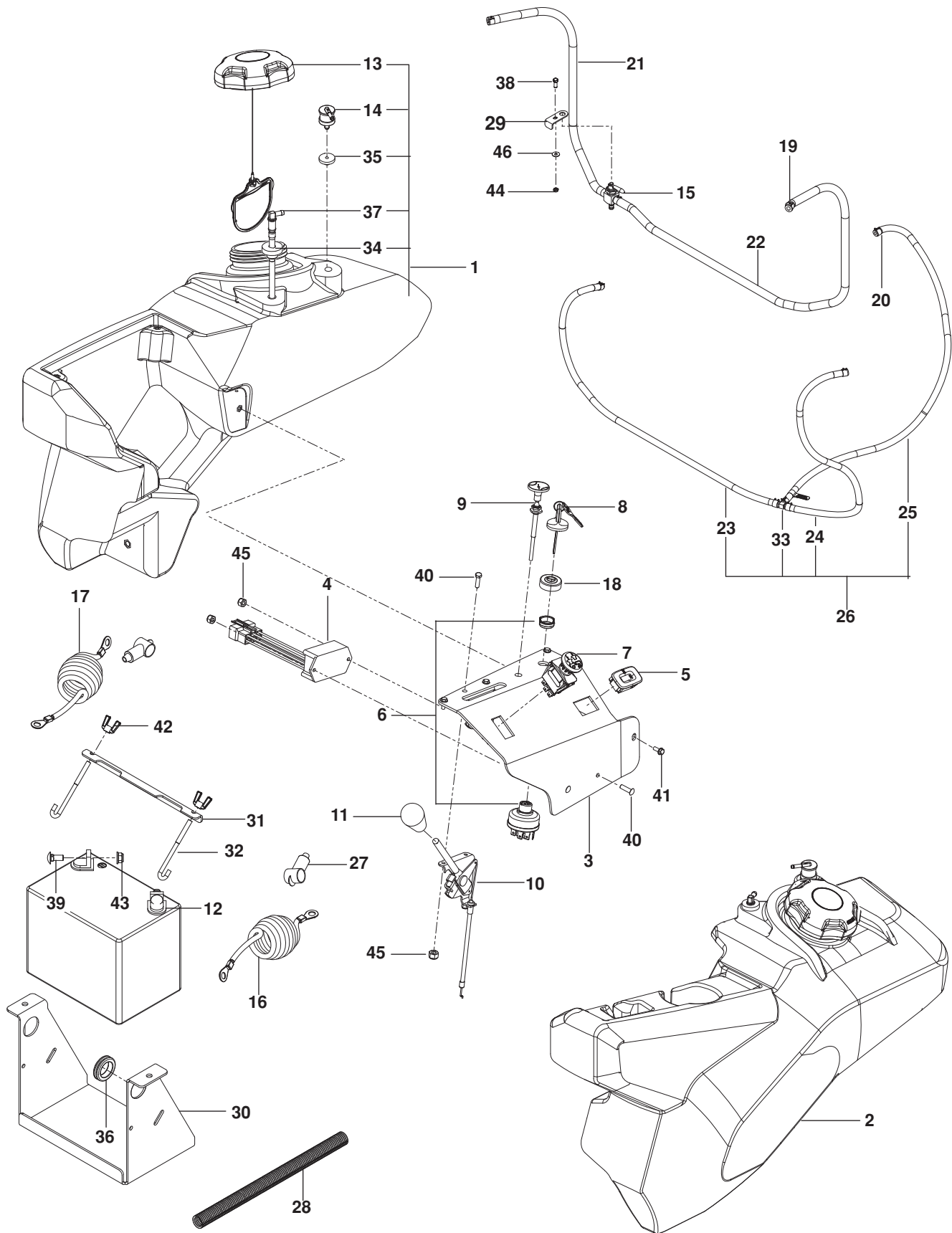
STEERING



STEERING

ITEM	PART NO.	QTY.	DESCRIPTION	ITEM	PART NO.	QTY.	DESCRIPTION
1..	577 327702....	1....	FRAME MOUNT ORG	31..	581 223001....	1....	PLATE, NUT
2..	525 447901....	1....	SEAT STRUT ASSY	32..	539 976988....	4....	HAIRPIN COTTER
3..	539 113792....	1....	SWITCH, BRAKE (3-POLE)	33..	539 101332....	2....	HHFS 1/2-13 x 2 3/4
4..	539 109553....	2....	SWITCH, INTERLOCK	34..	525 612801....	4....	HHFS 3/8-16 x 1
5..	539 131518....	4....	BEARING, FLANGE	35..	525 866201....	4....	HHFS 3/8-16 x 2
6..	577 251701....	2....	BRACKET, CONTROL	36..	525 464701..	20....	HHFS 5/16-18 x 3/4 HEX FLG
7..	577 265801....	2....	BRACKET, DAMPENER	37..	525 544001....	4....	HHFS 5/16-18 x 1 1/4 TPBLT
8..	574 269401....	2....	LEVER, MOTION	38..	574 822701....	6....	SCREW 10-24 x 3/4 SKT HD
9..	577 042403....	1....	LEVER w/ GRIP RT	39..	576 850402....	2....	SCREW 5/16-18 x 1 3/4 BTN HD
10..	577 042303....	1....	LEVER w/ GRIP LT	40..	539 990627....	1....	BOLT 5/16-18 x 1 1/4 HEX TPBLT
11..	576 140302....	2....	LEVER, CONTROL	41..	539 990074....	1....	RHSNB 1/4-20 x 3/4 GR 2
12..	539 131749....	2....	ROD END, SPHERICAL	42..	539 990316....	2....	RHSNB 5/16-18 x 3/4
13..	539 102590....	4....	BALL END	43..	539 913847....	2....	RETAINER NUT 3/8
14..	539 102845....	1....	SPRING	44..	539 990717....	2....	NUT 5/16-18 HEX NYLOC
15..	539 020035....	1....	SPRING	45..	521 996501....	4....	NUT 3/8-16 HEX FLG NYLOC
16..	576 850301....	1....	SPRING	46..	539 108732....	4....	NUT 3/8-24 HEX JAM
17..	577 252401....	2....	SPACER, PIVOT	47..	539 112899..	12....	NUT 5/16-18 HEX FLG NYLOC
18..	511 594901....	1....	BUSHING 1/4 FLANGE	48..	539 976977....	2....	NUT 10-24 HEX NYLOC
19..	511 595001....	1....	LINK, SWITCH	49..	539 990223....	4....	NUT 5/16-24 HEX
20..	539 110607....	2....	BALL STUD 10MM	50..	539 127046....	2....	NUT M8 x 1.25 HEX STD
21..	539 130894....	2....	GRIP, LEVER	51..	539 102234....	1....	NUT 1/4 PUSH
22..	578 811501....	2....	BUMPER	52..	539 108120....	4....	NUT 1/4-20 HEX THIN NYLOC
23..	539 131799....	1....	KNOB	53..	539 108010....	2....	NUT 1/2-13 HEX JAM NYLOC
24..	516 020301....	2....	DAMPENER ASSY	54..	539 990187....	2....	WASHER 5/16 SLW
25..	539 104763....	4....	RETAINER, U TYPE	55..	539 990188....	3....	WASHER 5/16 SAE FLAT
26..	577 251801....	2....	BLOCK, TRACKING	56..	539 990122....	4....	WASHER 3/8 SAE FLT
27..	522 559201....	2....	LINKAGE. CONTROL RT	57..	539 111897....	4....	WASHER, SPECIAL
28..	522 842801....	2....	LINKAGE, CONTROL RR	58..	539 990692....	4....	WASHER 5/16 STD FLT
29..	510 082101....	4....	MOUNT, ISO				NOT SHOWN
30..	539 109149....	4....	TURNBUCKLE		510 093601 ...	1....	HARNES, WIRING

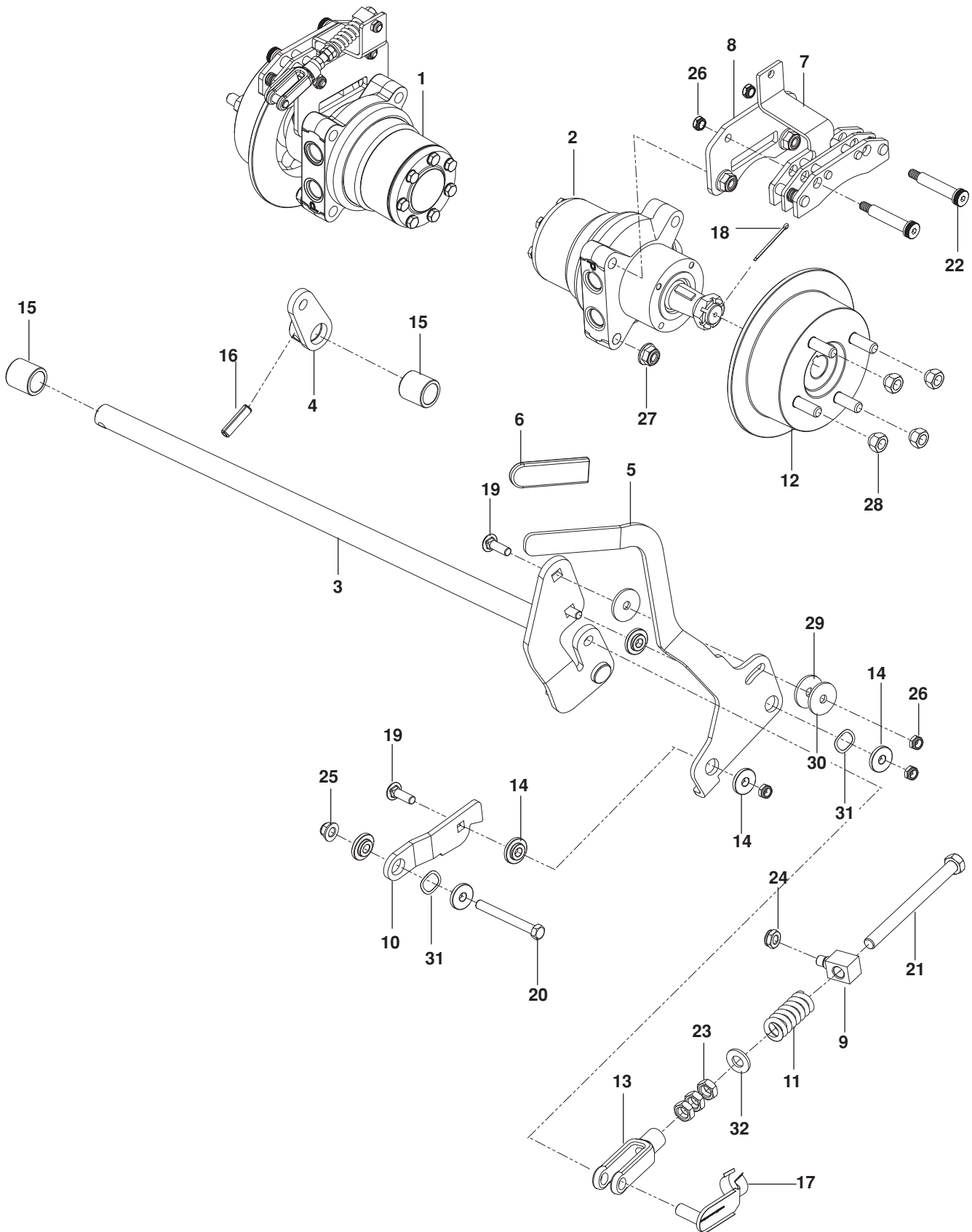
FUEL SYSTEM



FUEL SYSTEM

ITEM	PART NO.	QTY.	DESCRIPTION	ITEM	PART NO.	QTY.	DESCRIPTION
1..	576 369202....	1....	TANK ASSY, RT GRY	24..	576 660603....	1....	HOSE ³ / ₁₆ 21"
2..	576 369102....	1....	TANK ASSY, LT GRY	25..	576 660604....	1....	HOSE ³ / ₁₆ 30"
3..	529 280202....	1....	PANEL, CONTROL GRY	26..	576 547701....	1....	VAPOR LINE ASSY
4..	574 514001....	1....	TIMER, SEAT	27..	539 102759....	2....	INSULATOR
5..	532 401763....	1....	HOUR METER	28..	574 235301....	1....	LOOM ⁵ / ₈ SPLIT
6..	574 455401....	1....	SWITCH, IGNITION	29..	577 104002....	1....	BRACKET, VALVE
7..	539 131627....	1....	SWITCH, PTO 10 AMP	30..	510 029902....	1....	BRACKET, BATTERY BLK
8..	574 455501....	1....	KEY, IGNITION	31..	510 030001....	1....	BRACKET, BATTERY MOUNT
9..	574 206901....	1....	CABLE, CHOKE	32..	510 064001....	2....	J HOOK
10..	574 207001....	1....	CABLE, THROTTLE	33..	574 206602....	1....	TEE ³ / ₁₆ FUEL LINE
11..	539 132624....	1....	KNOB	34..	539 105245....	2....	GROMMET, RUBBER
12..	539 102436....	1....	BATTERY	35..	576 618201....	2....	GROMMET, CHECK VALVE
13..	575 018101....	2....	CAP w/ TETHER, FUEL	36..	539 105974....	1....	GROMMET
14..	576 618101....	2....	VALVE, FUEL CHECK	37..	525 865401....	2....	FITTING, FUEL
15..	539 102679....	1....	VALVE, FUEL	38..	539 990580....	1....	HCS ¹ / ₄ -20 x ³ / ₄
16..	522 718701....	1....	CABLE, POSITIVE	39..	539 990316....	2....	RHSNB ⁵ / ₁₆ -18 x ³ / ₄
17..	522 710701....	1....	CABLE, NEGATIVE	40..	574 822701....	4....	SCREW 10-24 x ³ / ₄ SKT HD
18..	539 103178....	1....	CAP, IGNITION SWITCH	41..	539 114341....	3....	SCREW 10-24 x ³ / ₈ SKT HD
19..	539 912222....	4....	CLAMP, HOSE	42..	539 990997....	2....	WINGNUT ¹ / ₄ -20 NYLOC
20..	575 436501....	6....	CLAMP, HOSE	43..	539 112899....	2....	NUT ⁵ / ₁₆ -18 HEX FLG NYLOC
21..	577 103901....	1....	LINE 22" FUEL	44..	539 108120....	1....	NUT ¹ / ₄ -20 HEX THIN NYLOC
22..	577 103902....	1....	LINE 38" FUEL	45..	539 976977....	4....	NUT 10-24 HEX NYLOC
23..	576 660601....	1....	HOSE ³ / ₁₆ 39"	46..	539 990598....	1....	WASHER ¹ / ₄ FLAT

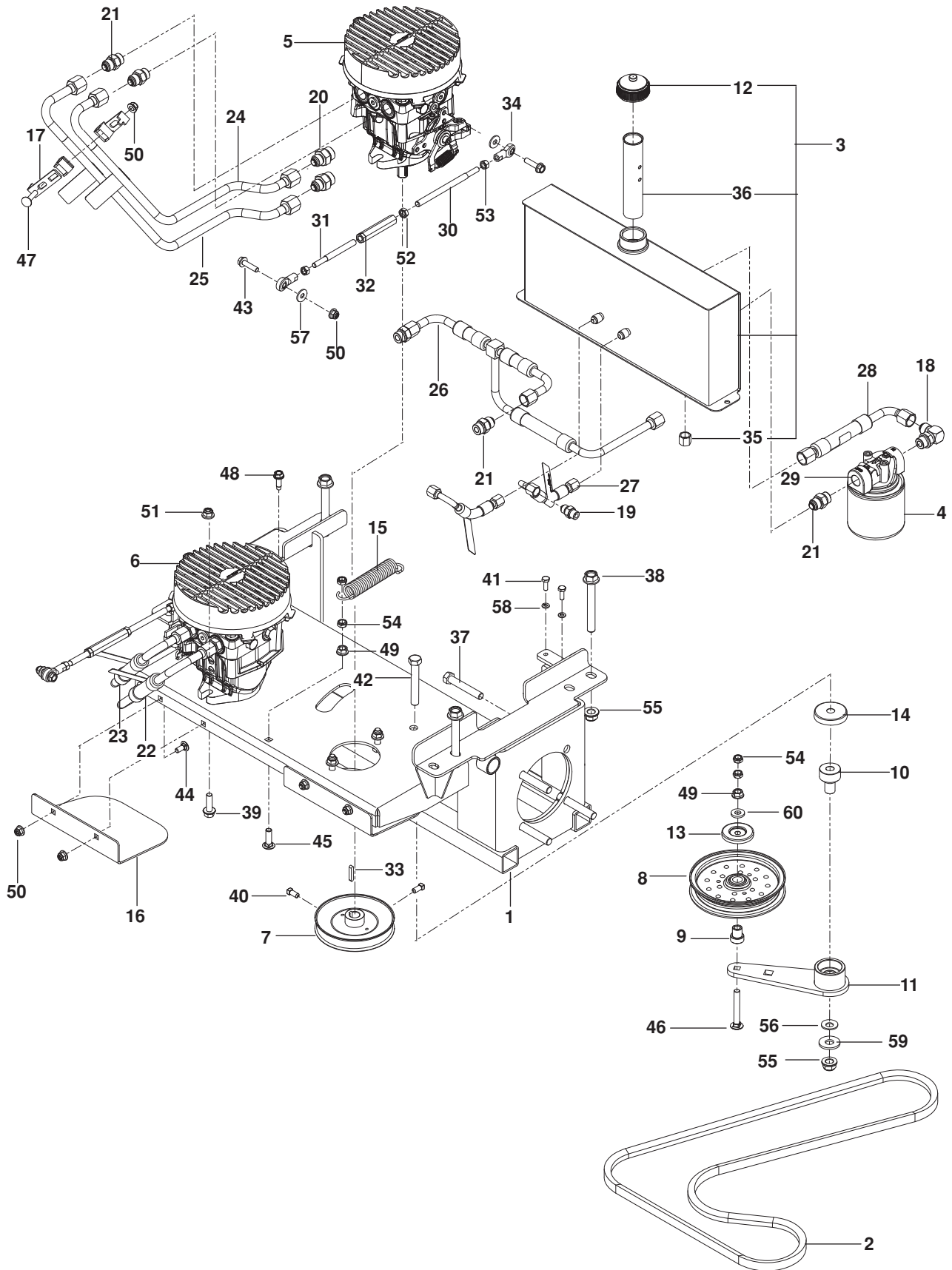
PARKING BRAKE



PARKING BRAKE

ITEM	PART NO.	QTY.	DESCRIPTION	ITEM	PART NO.	QTY.	DESCRIPTION
1..	574 805202....	1....	MOTOR, RT	17..	522 705901....	1....	PIN $\frac{3}{8}$ CLEVIS SPRING
2..	574 805201....	1....	MOTOR, LT	18..	539 102889....	2....	COTTER PIN $\frac{1}{8}$ x 2
3..	525 851201....	1....	SHAFT, BRAKE	19..	539 100413....	3....	RHSNB $\frac{3}{8}$ -16 x $1\frac{1}{4}$
4..	510 025901....	1....	ARM, RT BRAKE	20..	539 923463....	1....	HHFS $\frac{3}{8}$ -16 x $3\frac{1}{4}$ HEX NYLOC
5..	515 980002....	1....	LEVER, BRAKE	21..	539 104984....	1....	HHFS $\frac{3}{8}$ -24 x $4\frac{1}{2}$ HEX NYLOC
6..	539 976526....	1....	GRIP, LEVER	22..	516 035501....	4....	BOLT $\frac{1}{2}$ x $2\frac{1}{4}$, $\frac{3}{8}$ -16 SHLDR
7..	539 133047....	2....	CALIPER	23..	539 108732....	3....	NUT $\frac{3}{8}$ -24 HEX JAM
8..	525 851601....	2....	PLATE, CALIPER	24..	539 115617....	1....	NUT $\frac{5}{16}$ -18 HEX NYLOC INS
9..	525 851401....	1....	SWIVEL, BRAKE	25..	521 996501....	1....	NUT $\frac{3}{8}$ -16 HEX FLG NYLOC
10..	515 980301....	1....	LINK, FOLLOWER	26..	539 200282....	9....	NUT $\frac{3}{8}$ -16 HEX JAM NYLOC
11..	539 113952....	1....	SPRING	27..	521 991101....	8....	NUT $\frac{1}{2}$ -13 HEX FLG NYLOC
12..	525 848701....	2....	HUB, DISC BRAKE w/ STUDS	28..	539 101173....	8....	LUG NUT $\frac{1}{2}$
13..	539 977465....	1....	YOKE	29..	525 490901....	2....	WASHER, FRICTION
14..	539 132161....	6....	BUSHING, BRAKE	30..	539 912063....	1....	WASHER, CONE
15..	510 089201....	2....	BUSHING, SLEEVE $\frac{3}{4}$ x 1	31..	539 133007....	2....	WASHER, WAVE
16..	539 110631....	1....	ROLL PIN $\frac{5}{16}$ " DIA.	32..	539 990122....	1....	WASHER $\frac{3}{8}$ SAE FLT

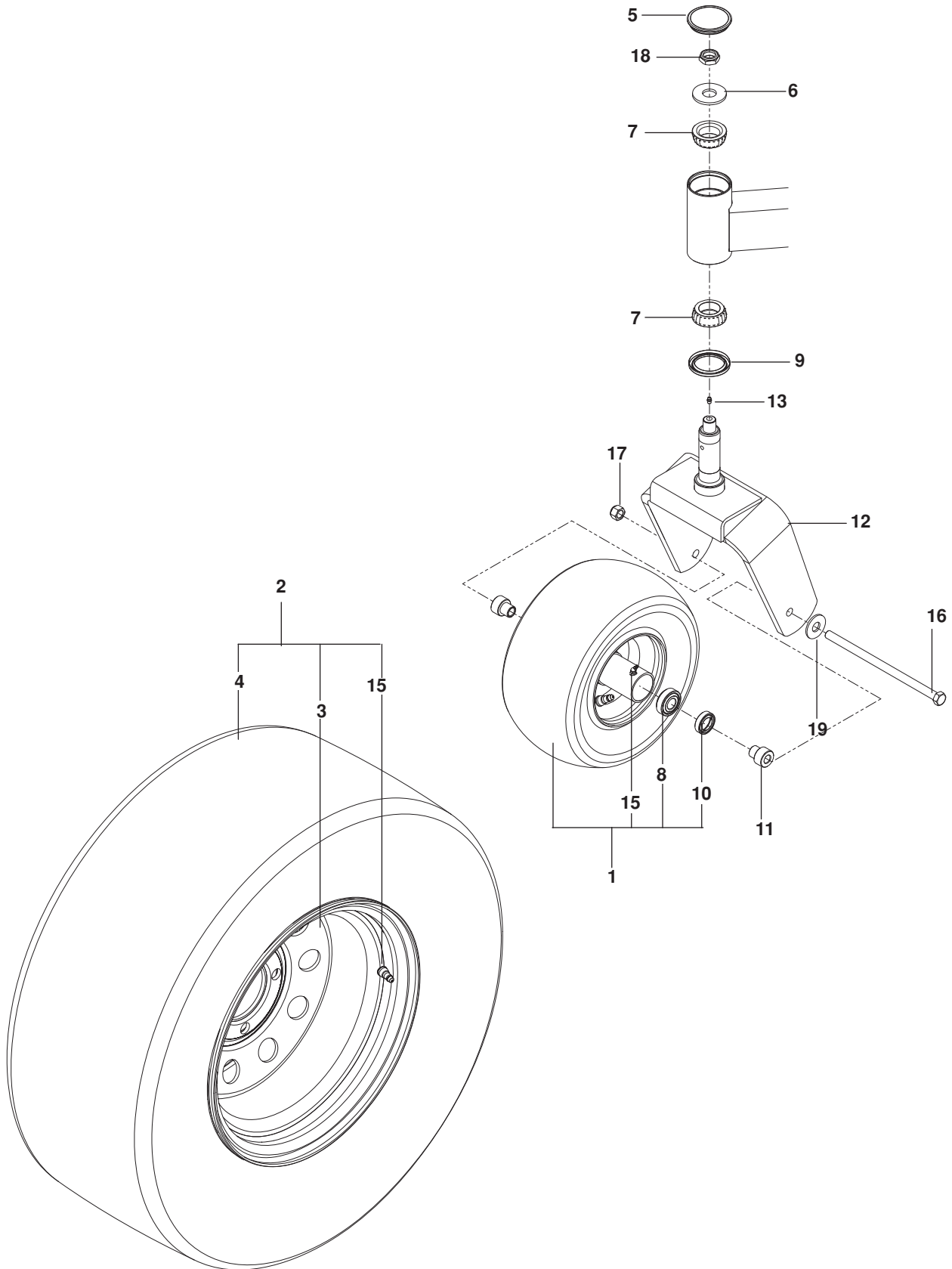
HYDRAULIC PUMP-MOTOR



HYDRAULIC PUMP-MOTOR

ITEM	PART NO.	QTY.	DESCRIPTION	ITEM	PART NO.	QTY.	DESCRIPTION
1..	506 007902....	1....	FRAME, SUB	31..	522 559201....	2....	LINKAGE, CONTROL, FT
2..	573 978301....	1....	BELT	32..	539 109149....	2....	TURNBUCKLE 3/8
3..	576 035902....	1....	OIL TANK ASSY	33..	539 101177....	2....	KEY, METRIC
4..	522 805401....	1....	FILTER, 25 MICRON	34..	539 102590....	4....	BALL END, RT
5..	506 120401....	1....	PUMP, 16CC RT	35..	539 105168....	1....	CAP
6..	506 120501....	1....	PUMP, 16CC LT	36..	522 805001....	1....	TUBE, ANTI-SPLASH
7..	510 019002....	2....	PULLEY, PUMP, 17MM	37..	539 101332....	8....	HHFS 1/2-13 x 2 3/4 HEX
8..	510 283702....	1....	PULLEY, IDLER	38..	525 544801....	4....	HHFS 1/2-13 x 4 HEX FLG
9..	525 435601....	1....	PIVOT, IDLER	39..	525 834201....	4....	HHFS 3/8-16 x 1 1/4 HEX FLG
10..	510 206301....	1....	PIVOT, BEARING	40..	539 102717....	4....	SCREW 5/16-18 x 5/8 SET
11..	510 041603....	1....	ARM, IDLER, w/ BEARINGS	41..	539 990072....	2....	HCS 1/4-20 x 5/8 HEX
12..	522 805301....	1....	CAP, HYDRAULIC	42..	539 103433....	1....	HCS 1/2-13 x 3 1/4 HEX
13..	510 254501....	1....	SHIELD, DUST	43..	525 544001....	4....	HCS 5/16-18 x 1 1/4 TPBLT
14..	539 114662....	1....	SHIELD, DUST	44..	539 990316....	4....	RHSNB 5/16-18 x 3/4
15..	577 437201....	1....	SPRING, PUMP	45..	539 100413....	1....	RHSNB 3/8-16 x 1 1/4
16..	574 398502....	2....	SHIELD, PULLEY	46..	539 130235....	1....	RHSNB 3/8-16 x 2 3/4
17..	576 577701....	2....	VIBRATION ASSY	47..	539 102933....	1....	RHSNB 5/16-18 x 1 1/2
18..	539 101242....	1....	ELBOW 90° ADJ	48..	539 113226....	2....	BOLT 5/16-18 x 1 THD FRM
19..	539 103316....	2....	CONNECTOR	49..	539 990613....	1....	NUT 3/8-16 HEX WHIZLK
20..	539 101239....	4....	CONNECTOR, STRAIGHT	50..	539 112899....	5....	NUT 5/16-18 HEX FLG NYLOC
21..	539 101237....	7....	CONNECTOR, STRAIGHT	51..	521 996501....	4....	NUT 3/8-16 HEX FLG NYLOC
22..	510 013601....	1....	LINE, HYDRAULIC, RT-A	52..	539 108732....	2....	NUT 3/8-24 HEX JAM
23..	510 013701....	1....	LINE, HYDRAULIC, RT-B	53..	539 990223....	4....	NUT 5/16-24 HEX
24..	510 013801....	1....	LINE, HYDRAULIC, LT-A	54..	539 200282....	8....	NUT 3/8-16 HEX JAM NYLOC
25..	510 013901....	1....	LINE, HYDRAULIC, LT-B	55..	521 991101....	5....	NUT 1/2-13 HEX FLG NYLOC
26..	510 014001....	1....	LINE, HYDRAULIC, CHARGE	56..	539 115528....	1....	WASHER 1/2" BELLEVILLE
27..	510 014501....	2....	LINE, HYDRAULIC, CASE	57..	539 990692....	4....	WASHER 5/16 STD FLT
28..	510 010701....	1....	LINE, HYDRAULIC, SUCTION	58..	539 990052....	2....	WASHER 1/4 SPLTLK
29..	575 872301....	1....	FILTER HEAD	59..	539 109554....	1....	WASHER 1/2 FLT
30..	522 842801....	2....	LINKAGE, CONTROL, RR	60..	522 023401....	1....	WASHER 3/8 THICK

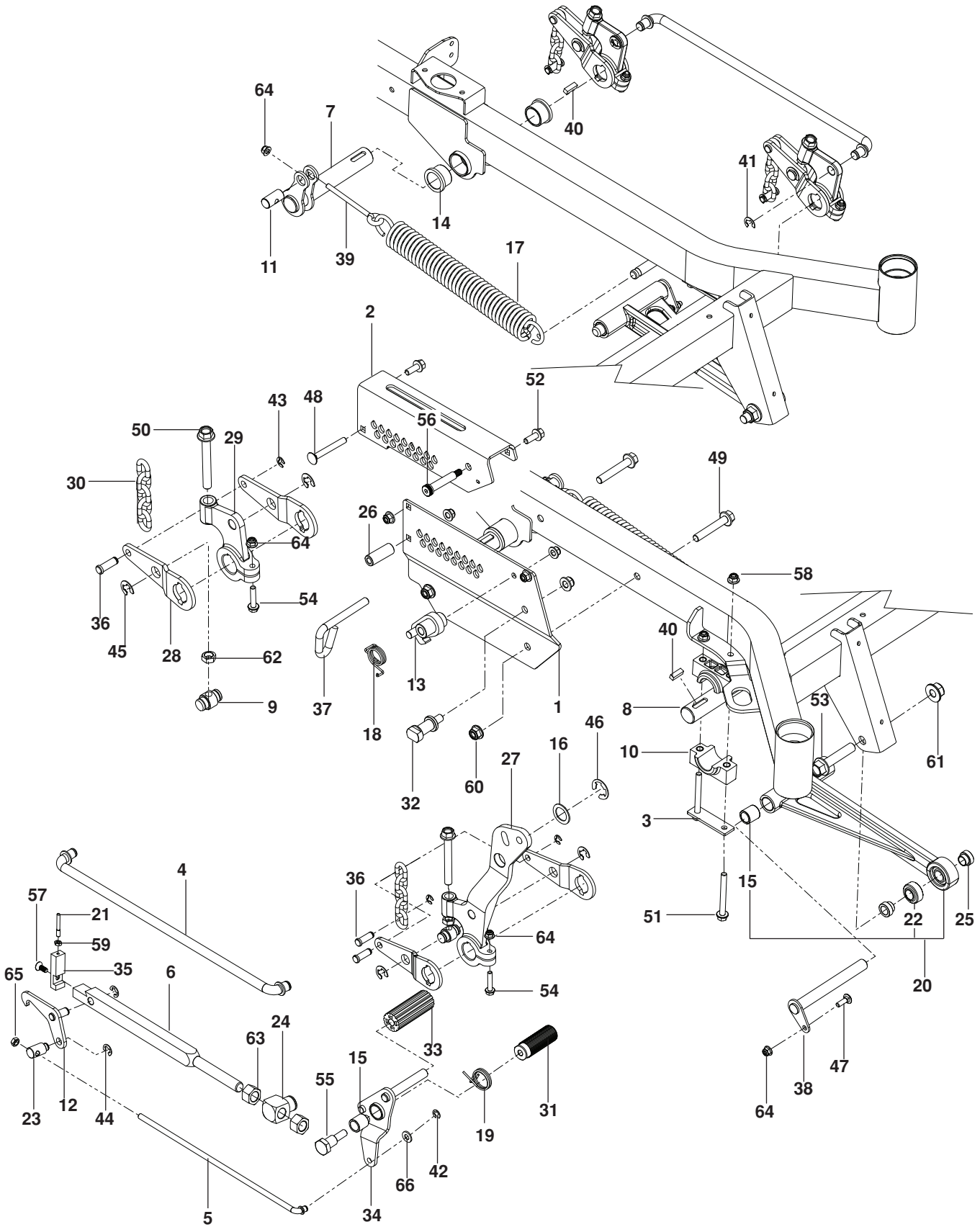
WHEELS / TIRES



WHEELS / TIRES

ITEM	PART NO.	QTY.	DESCRIPTION	ITEM	PART NO.	QTY.	DESCRIPTION
1..	510 154601....	2....	TIRE ASSY 13 x 6.5, FLT FREE	12..	525 611902....	2....	FORK, CASTER
2..	522 905101....	2....	TIRE ASSY 23 x 10.5	13..	539 101474....	2....	ZERK
3..	522 905102....	2....	RIM 12 x 1.125 NEG OFFSET	14..	539 103300....	2....	ZERK
4..	539 107431....	2....	TIRE 23 x 10.5 TURF MASTER	15..	539 912234....	2....	STEM, VALVE
5..	510 034001....	2....	CAP, DUST	16..	539 105517....	2....	HCS ½-13 x 9½ HEX NYLOC
6..	574 824701....	2....	WASHER ¾ HARDENED	17..	521 991101....	2....	NUT ½-13 HEX FLG NYLOC
7..	510 034403....	4....	BEARING, TAPERED	18..	522 842601....	2....	NUT ¾-16 HEX THIN NYLOC
8..	539 105525....	2....	BEARING (CUP AND CONE)	19..	539 990250....	2....	WASHER ½ SAE
9..	510 034301....	2....	SEAL, BEARING	NOT SHOWN			
10..	539 105524....	2....	SEAL, CASTER TIRE	539 105521 ...	2....	TIRE ASSY 13 x 6.5 PNEU	
11..	539 105518....	4....	AXLE SPACER			(optional)	

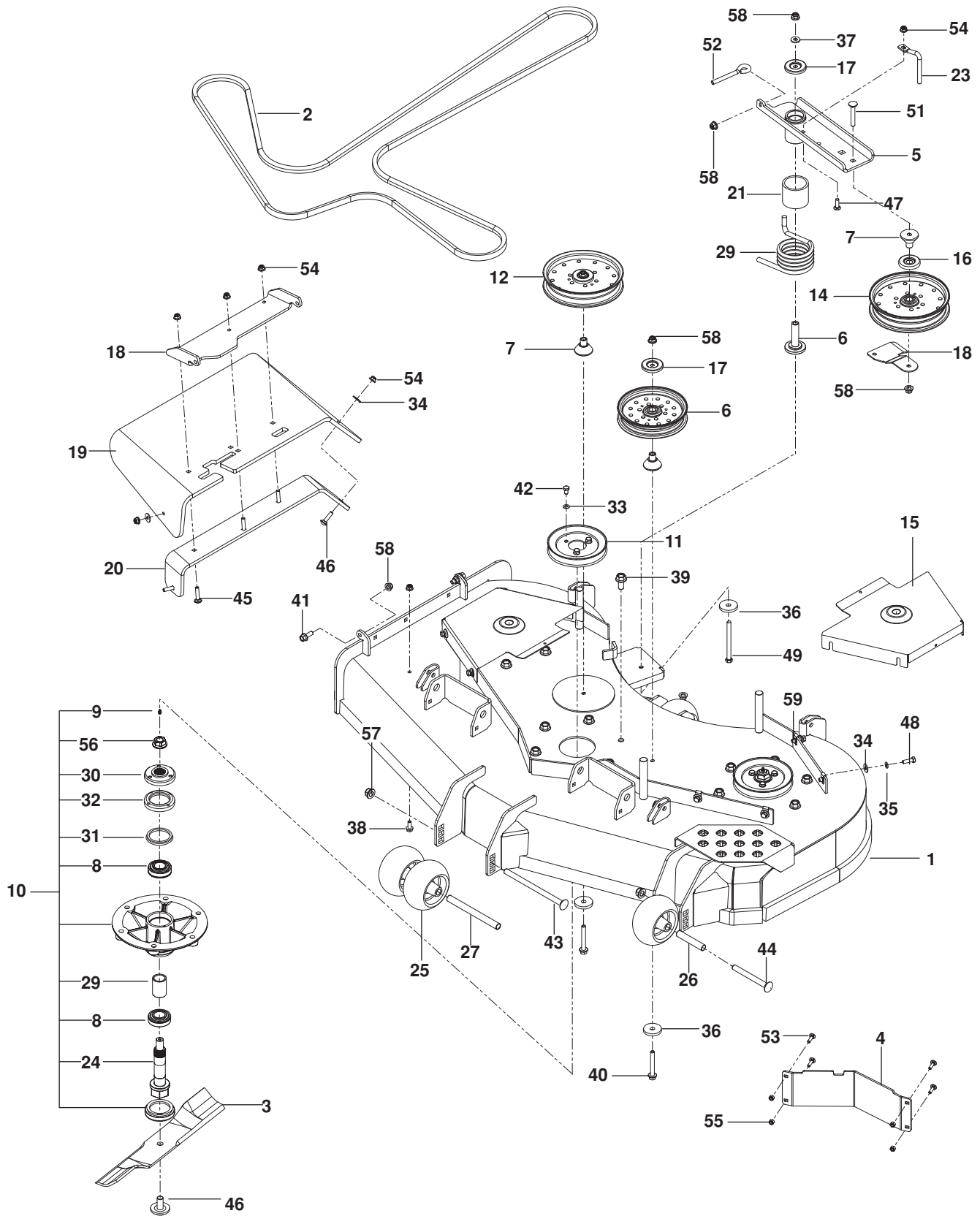
MOWER LIFT / DECK LIFT



MOWER LIFT / DECK LIFT

ITEM	PART NO.	QTY.	DESCRIPTION	ITEM	PART NO.	QTY.	DESCRIPTION
1..	510 408502....	1....	PLATE, INNER HEIGHT ORG	34..	510 407801....	1....	PEDAL, RELEASE
2..	510 408602....	1....	PLATE, OUTER HEIGHT ORG	35..	510 406501....	1....	CAP, HEIGHT BAR
3..	525 822201....	2....	PLATE, PILLOW BLOCK	36..	510 090101....	8....	PIN ⁷ / ₁₆ CLEVIS
4..	510 089801....	2....	ROD, LIFT	37..	510 016501....	1....	PIN, HEIGHT
5..	510 407601....	1....	ROD, HEIGHT LATCH	38..	515 988201....	2....	PIN, STRUT
6..	510 406301....	1....	BAR, HEIGHT	39..	539 120993....	2....	EYEBOLT 4 ¹ / ₂
7..	510 410703....	2....	SHAFT, LIFT RR	40..	525 822501....	4....	KEY ⁵ / ₁₆ SQ x 1
8..	510 409602....	1....	SHAFT, LIFT FT	41..	539 105069....	4....	E-RING ⁵ / ₈ "
9..	510 023601....	4....	TRUNION, LIFT SHAFT	42..	539 990870....	1....	E- RING ³ / ₈ "
10..	510 023902....	4....	BLOCK, PILLOW	43..	522 705201....	4....	E-RING ⁷ / ₁₆ "
11..	510 412301....	2....	PIVOT, SPRING	44..	539 101949....	2....	E-RING ¹ / ₂ "
12..	510 407201....	1....	LATCH, HEIGHT	45..	539 102454....	3....	E-RING ³ / ₄ "
13..	510 406801....	1....	LATCH, TRANSPORT	46..	539 912730....	1....	E-RING 1"
14..	510 089401....	4....	BUSHING, FLANGED	47..	539 990208....	2....	RHSNB ⁵ / ₁₆ -18 x 1
15..	510 089201....	2....	BUSHING, SLEEVE ³ / ₄ x 1	48..	539 122728....	1....	RHSNB ³ / ₈ -16 x 3 GR2
16..	539 916561....	1....	BUSHING	49..	525 828901....	2....	HHFS ¹ / ₂ -13 x 3
17..	510 029201....	2....	SPRING, EXTENSION	50..	525 465701....	4....	HHFS ¹ / ₂ -13 x 4 TPBLT
18..	510 376601....	1....	SPRING, TORSION	51..	525 822101....	4....	HHFS ³ / ₈ -16 x 3 ¹ / ₂
19..	510 376701....	1....	SPRING, TORSION	52..	525 612801....	2....	HHFS ³ / ₈ -16 x 1
20..	510 106501....	2....	STRUT ASSY	53..	525 829001....	2....	HHFS ⁵ / ₈ -11 x 3
21..	510 406601....	1....	LINK, INDICATOR	54..	525 465401....	1....	HHFS ⁵ / ₁₆ -18 x 1 ¹ / ₂
22..	510 083801....	1....	SWIVEL ³ / ₄ BALLJOINT	55..	510 408201....	1....	BOLT, SHOULDER
23..	510 407501....	1....	SWIVEL, HEIGHT LATCH	56..	516 035501....	1....	BOLT ¹ / ₂ x 2 ¹ / ₄ , ³ / ₈ -16 SHLDR
24..	510 406401....	1....	SWIVEL, HEIGHT BAR	57..	522 705601....	1....	SCREW ⁵ / ₁₆ -18 x ³ / ₄ HEX SCKT
25..	510 362501....	4....	SPACER, STRUT	58..	521 996501....	4....	NUT ³ / ₈ -16 HEX FLG NYLOC
26..	510 408401....	1....	SPACER, HEIGHT PLATE	59..	539 991112....	1....	NUT ¹ / ₄ -20 JAM
27..	510 022502....	1....	LEVER, DECK LIFT	60..	521 991101....	3....	NUT ¹ / ₂ -13 HEX FLG NYLOC
28..	510 410002....	4....	ARM, LIFT	61..	525 829101....	2....	NUT ⁵ / ₈ -11 FLG NYLOC
29..	510 022501....	1....	ARM, CAST LIFT	62..	539 990625....	4....	NUT ¹ / ₂ -13 HEX JAM
30..	539 102641....	4....	LIFT CHAIN	63..	539 108677....	2....	NUT ³ / ₄ -10 HEX
31..	510 089501....	1....	PAD, FOOT PEDAL	64..	539 112899....	8....	NUT ⁵ / ₁₆ -18 HEX FLG NYLOC
32..	510 406701....	1....	GUIDE, HEIGHT BAR	65..	539 108732....	1....	NUT ³ / ₈ -24 HEX JAM
33..	510 408301....	1....	PEDAL, DECK HEIGHT	66..	539 990122....	1....	WASHER ³ / ₈ SAE FLT

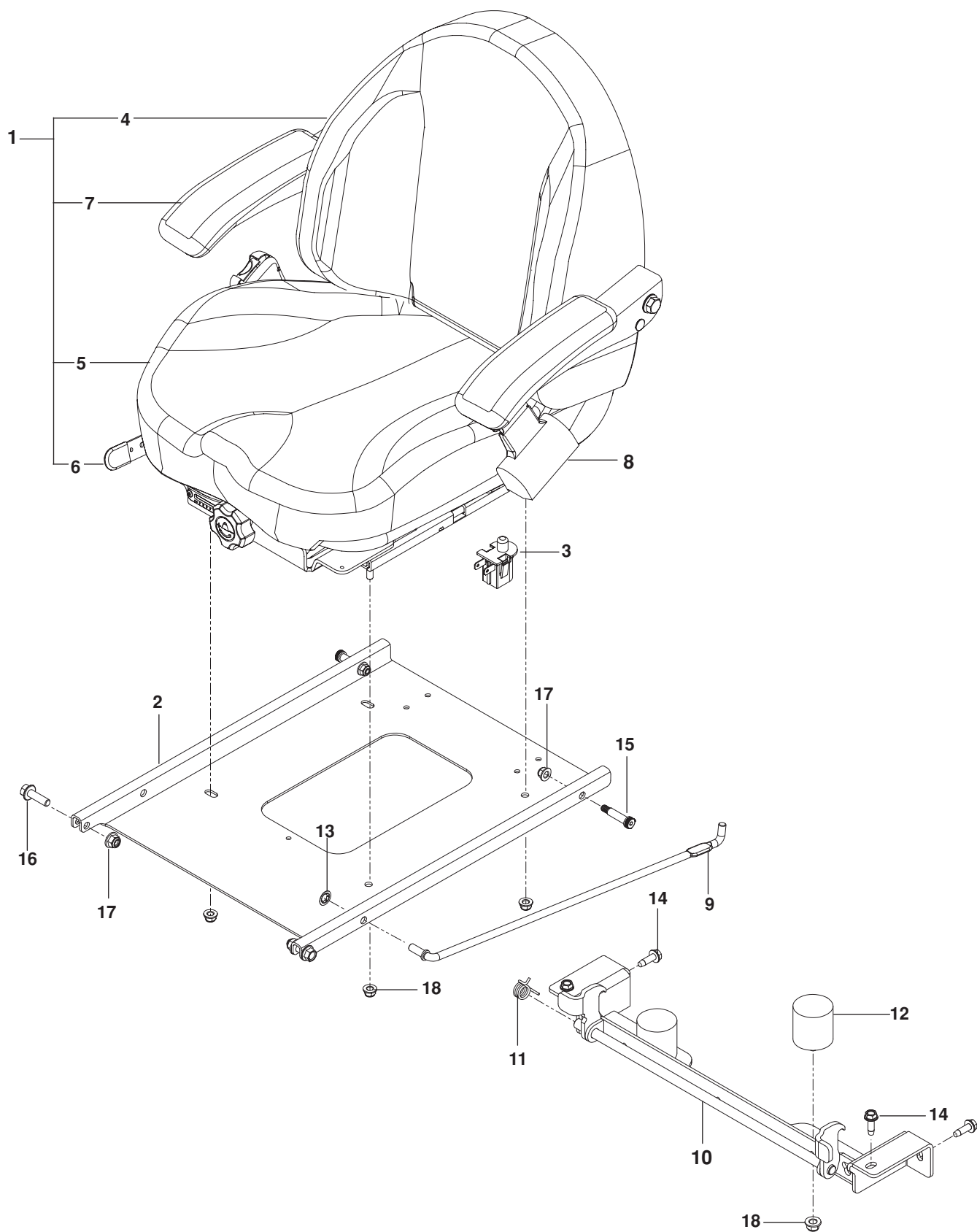
MOWING DECK / CUTTING DECK



MOWING DECK / CUTTING DECK

ITEM	PART NO.	QTY.	DESCRIPTION	ITEM	PART NO.	QTY.	DESCRIPTION
1..	574 497101....	1....	DECK w/ SAFETY DECALS	33..	539 109600....	9....	WASHER ⁵ / ₁₆ DISC SPRING
2..	575 658401....	1....	BELT, DECK	34..	539 990692..	10....	WASHER ⁵ / ₁₆ STD FLT
3..	575 265901....	3....	BLADE, 19"	35..	539 990187....	8....	WASHER ⁵ / ₁₆ SLW
4..	510 437502....	1....	BAFFLE, FLOW DIVERTER	36..	539 106504....	3....	WASHER, HEAVY
5..	574 722201....	1....	ARM ASSY, IDLER	37..	522 023401....	1....	WASHER ³ / ₈ THICK
6..	522 729701....	1....	BEARING, IDLER PIVOT	38..	525 464701....	3....	HHFS ⁵ / ₁₆ -18 x ³ / ₄ HEX FLG
7..	510 263701....	3....	BEARING, IDLER ARM	39..	574 210601..	18....	HHFS ¹ / ₂ -13 x 1 HEX FLG
8..	539 130638....	6....	BEARING	40..	539 131781....	2....	HHFS ³ / ₈ -16 x 2 ³ / ₄ HEX FLG
9..	539 976998....	3....	ZERK	41..	525 612801....	2....	HHFS ³ / ₈ -16 x 1 HEX FLG
10..	525 836401....	3....	SPINDLE ASSY	42..	539 130315....	9....	HCS ⁵ / ₁₆ -18 x ¹ / ₂ HEX NYLOC
11..	521 979701....	3....	PULLEY	43..	510 022401....	1....	RHSNB ¹ / ₂ -13 x 8
12..	525 598201....	1....	PULLEY, IDLER 7" NARROW	44..	510 022301....	2....	RHSNB ¹ / ₂ -13 x 4 ³ / ₄
13..	510 019601....	1....	PULLEY, IDLER 6"	45..	539 102933....	3....	RHSNB ⁵ / ₁₆ -18 x 1 ¹ / ₂
14..	510 015101....	1....	PULLEY, IDLER 7" WIDE	46..	539 100472....	2....	RHSNB ⁵ / ₁₆ -18 x 1 ¹ / ₄
15..	510 131202....	2....	SHIELD, BELT	47..	539 107271....	1....	RHSNB ⁵ / ₁₆ -18 x 1 RD HD
16..	510 262201....	1....	SHIELD, DUST	48..	539 990209....	8....	HCS ⁵ / ₁₆ -18 x 1 HEX HD
17..	510 254501....	2....	SHIELD, DUST	49..	539 101686....	1....	HCS ³ / ₈ -16 x 4 ¹ / ₂ HEX GR 8
18..	574 197002....	1....	BRACKET, CHUTE PIVOT	50..	539 119007....	3....	BOLT, BLADE
19..	525 485801....	1....	CHUTE, DISCHARGE	51..	539 128101....	1....	BOLT ³ / ₈ -16 x 2 ¹ / ₂ CARRIAGE
20..	525 486002....	1....	SUPPORT, CHUTE BRACKET	52..	574 202001....	1....	EYEBOLT ³ / ₈ x 4
21..	525 465601....	1....	SPACER, IDLER PIVOT	53..	539 115620....	4....	BOLT ¹ / ₄ -20 x ³ / ₄ CARRIAGE
22..	539 130641....	3....	SPACER	54..	539 112899....	9....	NUT ⁵ / ₁₆ -18 HEX FLG NYLOC
23..	574 262201....	1....	KEEPER, BELT	55..	539 976978....	4....	NUT ¹ / ₄ -20 HEX NYLOC
24..	525 836001....	3....	SHAFT, SPINDLE	56..	539 130653....	3....	NUT ³ / ₄ -16 FLG
25..	574 169601....	4....	ROLLER, GAUGE	57..	521 991101....	3....	NUT ¹ / ₂ -13 HEX FLG NYLOC
26..	574 196401....	2....	TUBE, ROLLER AXLE	58..	521 996501....	4....	NUT ³ / ₈ -16 HEX FLG NYLOC
27..	574 196501....	1....	TUBE, ROLLER AXLE LONG	59..	539 104763....	8....	RETAINER, U TYPE
28..	574 262102....	1....	GUIDE, BELT		525 307001 ...	3....	BLADE, HIGH LIFT 19"
29..	525 310901....	1....	SPRING, TORSION		574 481101 ...	3....	BLADE, LOW LIFT 19"
30..	539 130637....	3....	HUB		525 525901 ...	3....	BLADE, GATOR 19"
31..	539 130639....	6....	V-RING		574 486901 ...	3....	BLADE, WAVY REV LIFT 19"
32..	539 130643....	6....	CUP, DEBRIS				

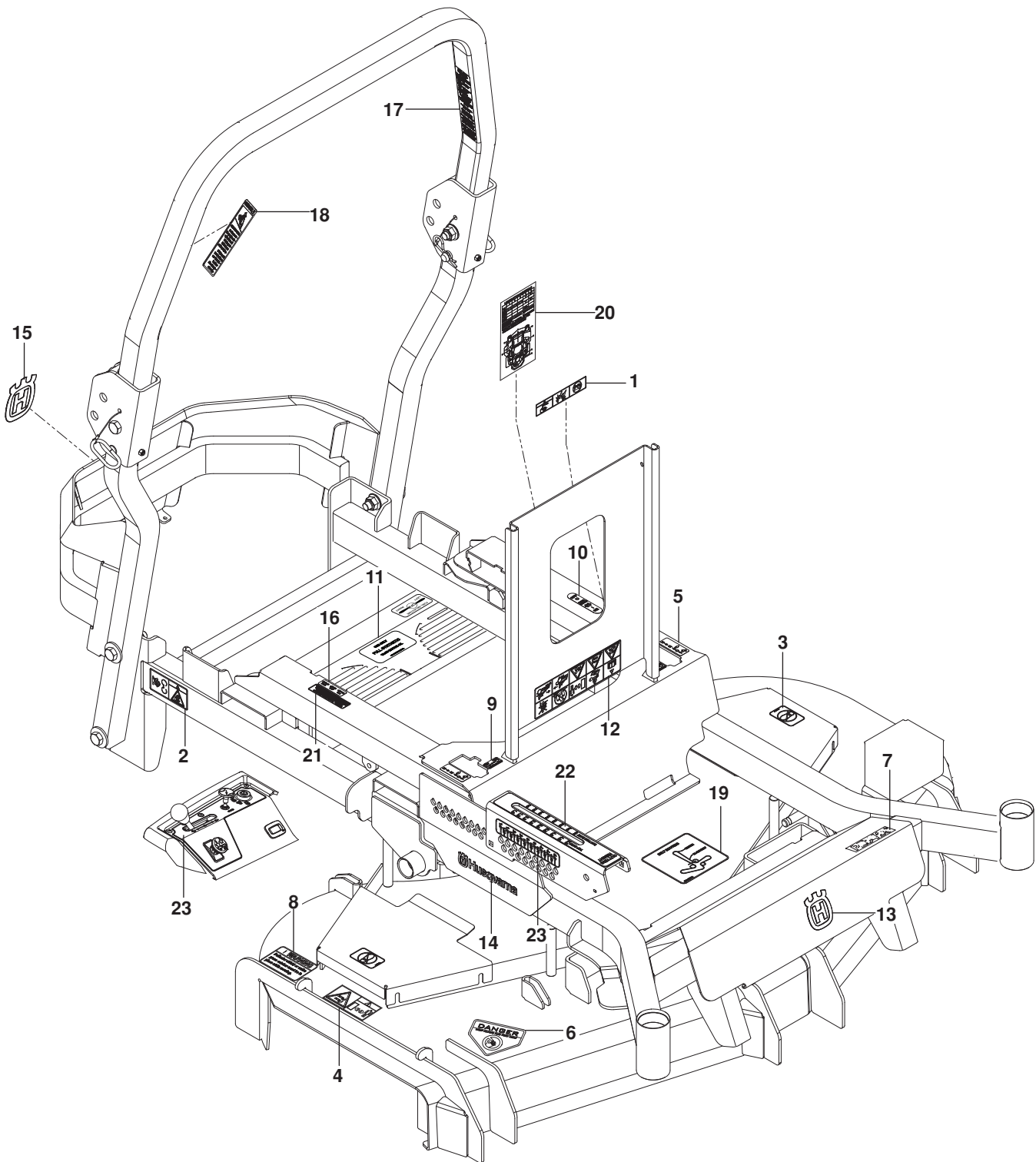
SEAT



SEAT

ITEM	PART NO.	QTY.	DESCRIPTION	ITEM	PART NO.	QTY.	DESCRIPTION
1..	574 284601....	1....	SEAT ASSY	10..	574 182202....	1....	LATCH, SEAT
2..	510 039302....	1....	PAN, SEAT	11..	520 283101....	1....	SPRING, TORSION
3..	539 119741....	1....	SWITCH, SEAT	12..	510 283801....	2....	BUMPER, RUBBER
4..	574 284602....	1....	COVER, BACK	13..	539 913847....	2....	RETAINER NUT ³ / ₈
5..	574 284603....	1....	COVER KIT, CUSHION	14..	539 113226....	4....	BOLT ⁵ / ₁₆ -18 x 1 THD FRM
6..	574 284604....	1....	TRACK KIT	15..	515 990601....	2....	BOLT ³ / ₈ x 1 ¹ / ₄ ⁵ / ₁₆ -18 SHLDR
7..	574 284605....	1....	ARMREST, LT	16..	525 834201....	2....	HHFS ³ / ₈ -16 x 1 ¹ / ₄
	574 284606 ...	1....	ARMREST, RT	17..	521 996501....	4....	NUT ³ / ₈ -16 HEX FLG NYLOC
8..	539 130359....	1....	SEAT BELT	18..	539 112899....	6....	NUT ⁵ / ₁₆ -18 HEX FLG NYLOC
9..	510 064101....	1....	ROD, SEAT				

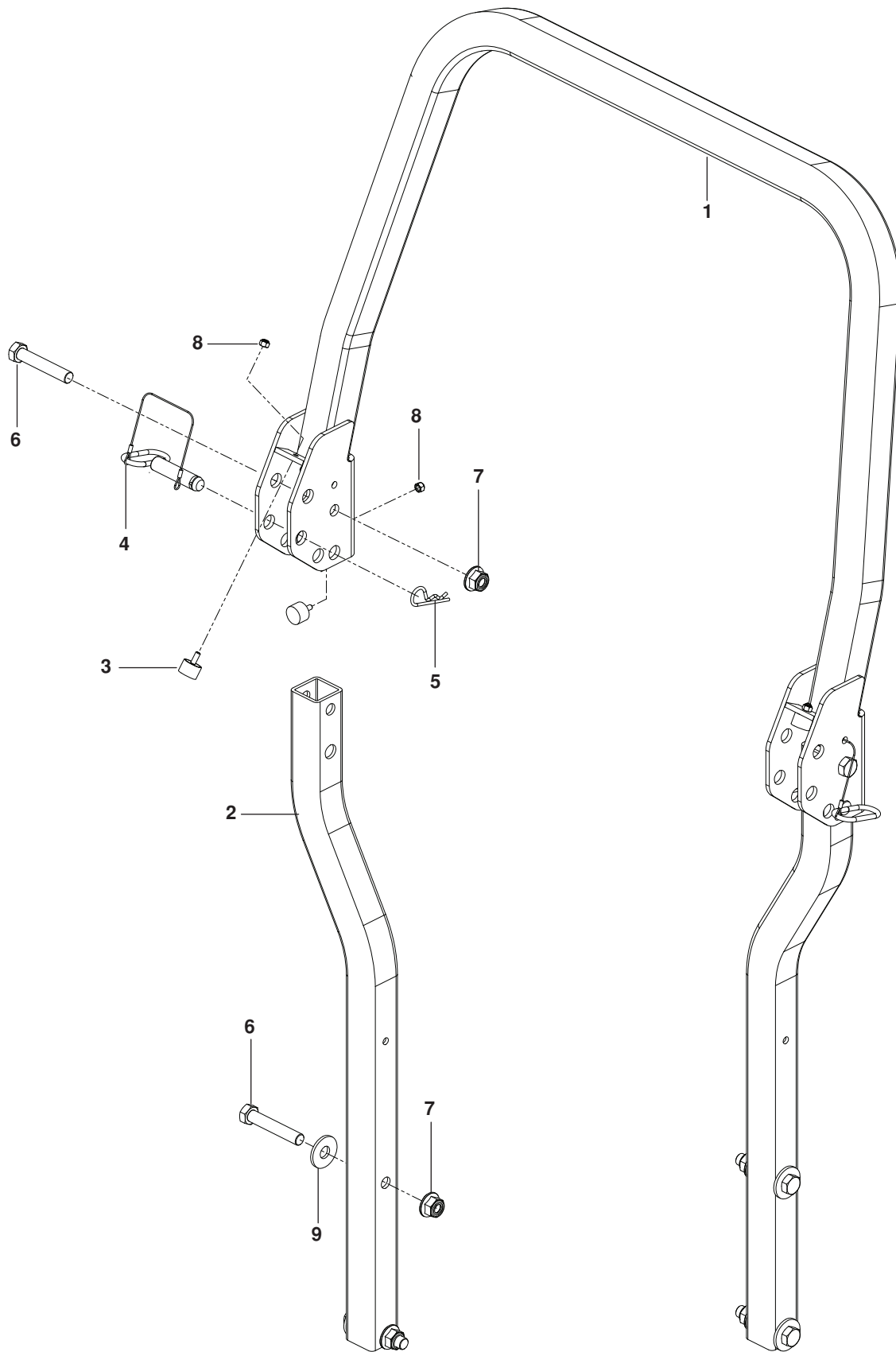
DECALS



DECALS

ITEM	PART NO.	QTY.	DESCRIPTION	ITEM	PART NO.	QTY.	DESCRIPTION
1..	539 105745....	1....	DECAL, BATTERY WARNING	13..	532 428676....	1....	DECAL, CROWN H SM
2..	539 105744....	2....	DECAL, BELT DRIVE WARN	14..	532 429196....	2....	DECAL, HUSQVARNA
3..	539 105743....	2....	DECAL, NO STEP	15..	574 455001....	1....	DECAL, CROWN H LRG
4..	539 105746....	1....	DECAL, SEVERING	16..	574 569401....	1....	DECAL, FUSE
5..	539 103333....	2....	DECAL, MOTION CONTROL	17..	574 569006....	1....	DECAL, ROPS
6..	539 913010....	1....	DECAL, BLADE WARNING	18..	574 569002....	1....	DECAL, ROPS WARNING
7..	581 384301....	1....	DECAL, PZ54	19..	574 437301....	1....	DECAL, BELT ROUTE
8..	539 113224....	1....	DECAL, DEFLECTOR	20..	574 825901....	1....	DECAL, SERVICE
9..	539 110974....	2....	DECAL, TRACKING	21..	532 424102....	1....	DECAL, SPARK ARRESTOR
10..	539 120006....	1....	DECAL, PARK BRAKE	22..	516 038101....	1....	DECAL, HEIGHT
11..	539 114832....	1....	DECAL, OIL TANK	23..	525 349701....	1....	DECAL, HEIGHT
12..	539 107959....	1....	DECAL, WARNING				

PROTECTION FRAME



PROTECTION FRAME

ITEM	PART NO.	QTY.	DESCRIPTION	ITEM	PART NO.	QTY.	DESCRIPTION
1..	575 324502....	1....	ROPS, TOP, GRAY	6..	580 754601....	6....	HCS $\frac{5}{8}$ -11 x 3 $\frac{1}{2}$
2..	574 330902....	2....	TUBE, SIDE GRAY	7..	525 829101....	6....	NUT $\frac{5}{8}$ -11 FLG NYLOC
3..	522 801401....	4....	BUMPER $\frac{1}{4}$ -20 STUD	8..	539 976978....	4....	NUT $\frac{1}{4}$ -20 HEX NYLOC
4..	574 388001....	2....	LATCH PIN w/ LANYARD	9..	539 102653....	4....	WASHER $\frac{5}{8}$ STD FLT
5..	539 200715....	2....	PIN, HAIR				