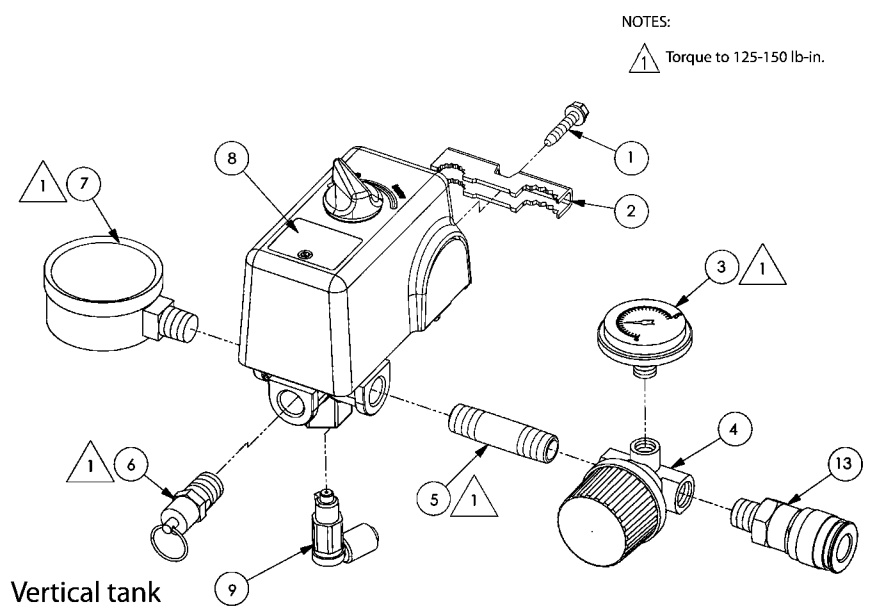
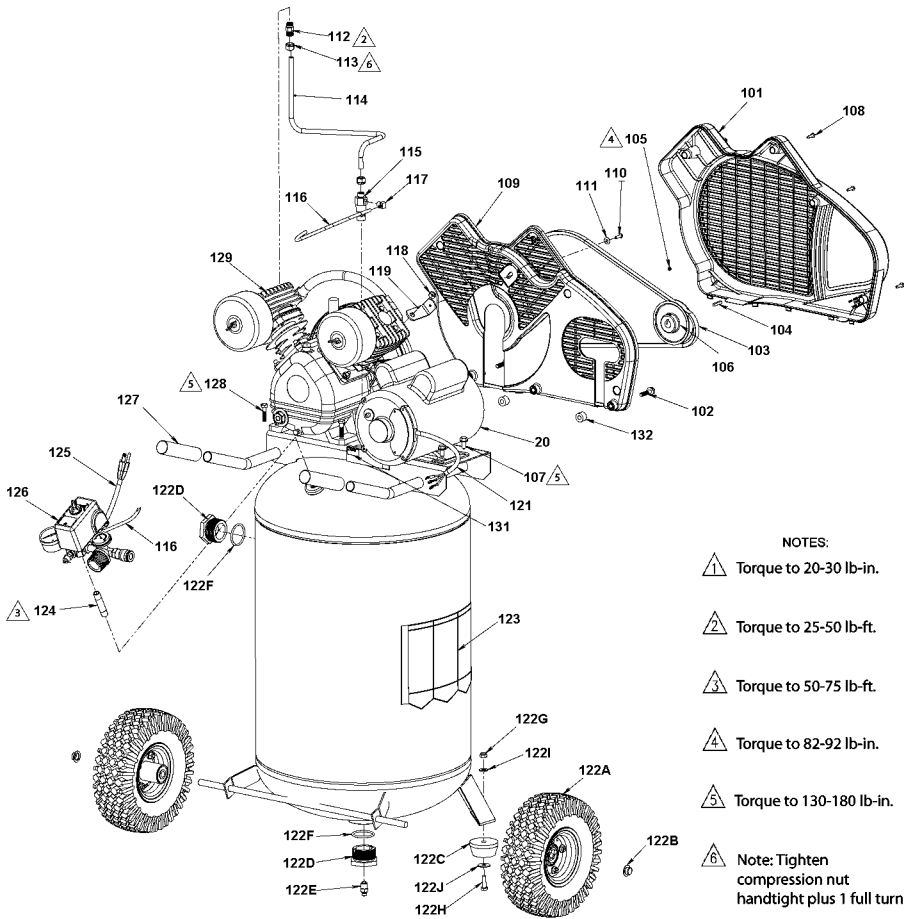


Horizontal tank

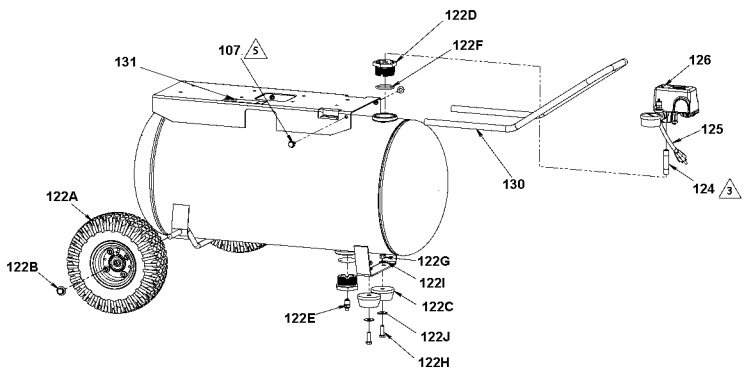


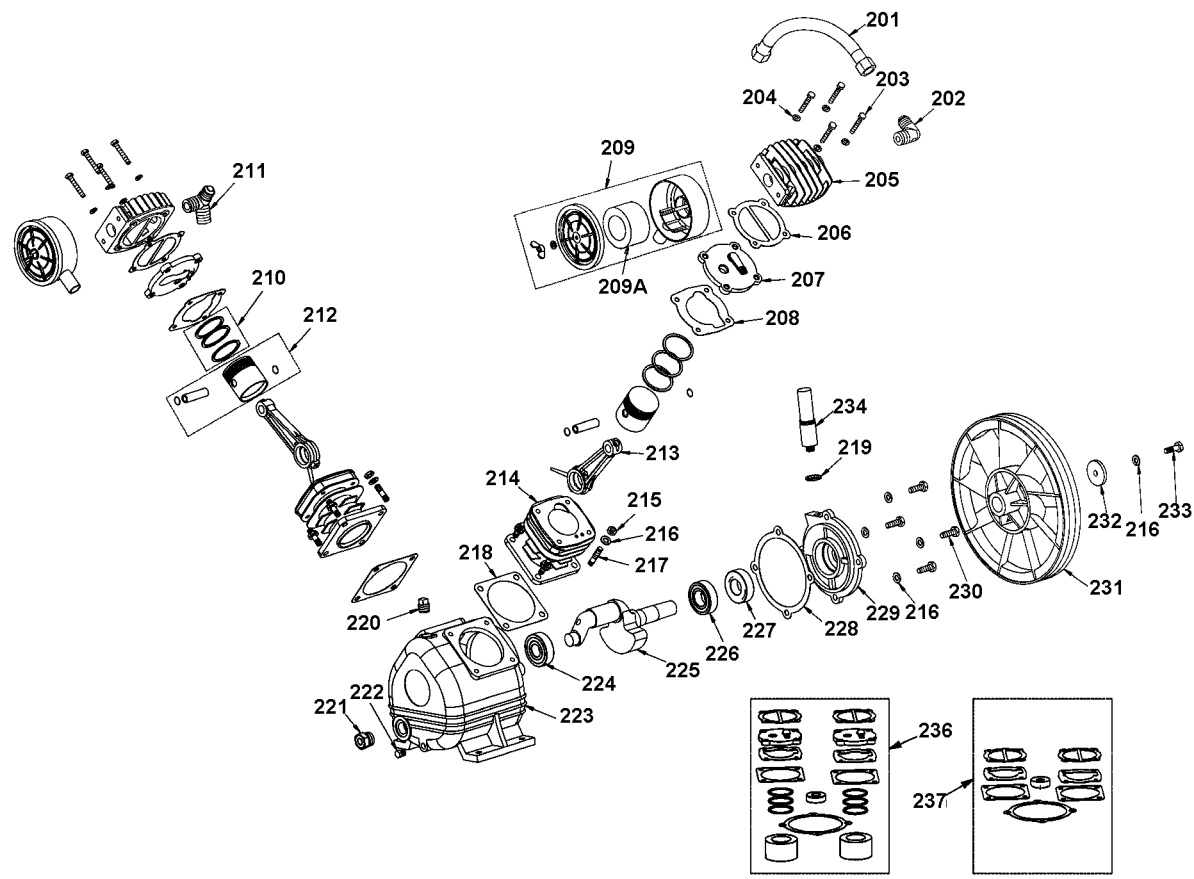
Vertical tank

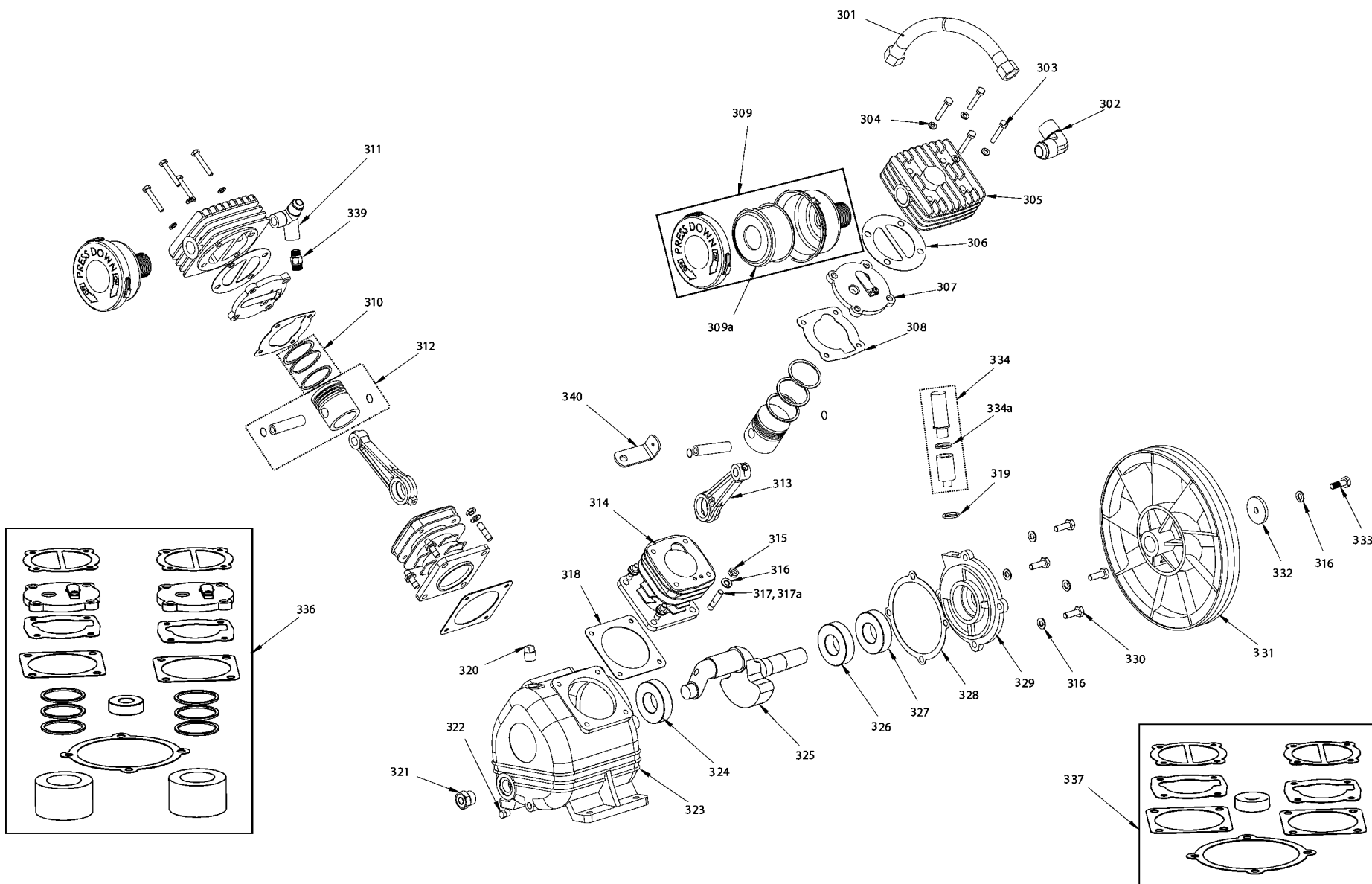


- NOTES:
- 1 Torque to 20-30 lb-in.
 - 2 Torque to 25-50 lb-ft.
 - 3 Torque to 50-75 lb-ft.
 - 4 Torque to 82-92 lb-in.
 - 5 Torque to 130-180 lb-in.
 - 6 Note: Tighten compression nut handtight plus 1 full turn.

Horizontal







Parts List for PXCMP1682066 Type 1

Item Number	Part Number	Description	Qty Required
1	5140119-57	SCREW	1
2	5140119-58	STRAIN RELIEF	1
3	5140121-23	GAUGE	1
4	5140121-24	REGULATOR	1
6	5140121-76	VALVE	1
7	5140119-55	GAUGE	1
8	5140121-25	PRESSURE SWITCH	1
9	5140119-60	VALVE, BLEEDER	1
10	5140120-57	TEE 1/4	1
13	5140119-61	QUICK CONNECT	1
20	5140119-23	MOTOR	1
20	5140121-26	START CAPACITOR	1
20	5140121-27	COVER	1
20	5140121-28	RUN CAPACITOR	1
20	5140121-29	COVER	1
20	5140127-23	START CAPACITOR	1
20	5140121-31	COVER	1
20	000000-00	No Longer Available	1
20	000000-00	No Longer Available	1
20	5140121-34	START CAPACITOR	1
20	5140121-35	COVER	1
20	5140121-36	RUN CAPACITOR	1
101	5140121-38	BELTGUARD OUTSIDE	1
103	5140121-39	V-BELT	1
104	5140119-00	KEY	1
106	5140121-40	PULLEY	1
108	5140118-98	SCREW	1

Parts List for PXCMP1682066 Type 1

Item Number	Part Number	Description	Qty Required
109	5140121-41	BELTGUARD INSIDE	1
112	5140119-16	ADAPTER	1
113	5140119-17	NUT	2
114	5140121-42	TRANSFER TUBE	1
115	5140119-21	CHECK VALVE	1
116	5140119-19	TUBE	1
117	5140119-20	ELBOW	1
119	5140121-43	BRACKET BELTGUARD	1
121	5140119-03	CORD	1
122	5140119-10	WHEEL	2
122	5140119-11	HUB CAP	2
122	5140119-06	PAD VIBRATION	2
122	5140119-07	BUSHING	2
122	5140119-09	PET COCK	1
122	5140119-08	O-RING	2
123	5140119-13	WARNING LABEL	1
125	5140119-22	POWER CORD	1
129	5140173-64	PUMP ASSY.	1
130	5140120-55	HANDLE	1
131	5140119-14	WARNING LABEL	1
132	5140121-45	SPACER	3
201	5140121-46	TUBE	1
202	5140121-47	ELBOW	1
205	5140121-48	CYLINDER HEAD	2
206	5140121-49	HEAD GASKET	2
207	5140121-50	VALVE PLATE ASSY.	2
208	5140121-51	CYLINDER GASKET	2

Parts List for PXCMP1682066 Type 1

Item Number	Part Number	Description	Qty Required
209	5140121-52	FILTER ASSY.	2
209	5140121-53	FILTER ELEMENT	2
210	5140121-54	RING SET	2
211	5140121-55	TEE FITTING	1
212	5140121-56	PISTON ASSY.	2
213	5140121-57	ROD	2
214	5140121-58	CYLINDER	2
218	5140121-59	CRANKCASE GASKET	2
219	5140121-60	WASHER	1
220	5140209-74	OIL FILL CAP KIT	1
221	5140119-38	OIL SIGHT GLASS	1
222	5140121-63	OIL DRAIN PLUG	1
223	5140121-64	CRANKCASE	1
224	5140121-65	BALL BEARING	1
225	5140121-66	CRANKSHAFT	1
226	5140121-67	BALL BEARING	1
227	5140121-68	OIL SEAL	1
228	5140121-69	GASKET	1
229	5140121-70	CARRIER	1
231	5140173-61	FLYWHEEL	1
234	5140121-72	BREATHER	1
235	5140119-45	KEY	1
236	5140121-73	OVERHAUL KIT	1
237	5140121-74	GASKET KIT	1
301	5140121-46	TUBE	1
302	5140121-47	ELBOW	1
303	5140153-38	SET SCREW	8

Parts List for PXCMP1682066 Type 1

Item Number	Part Number	Description	Qty Required
304	5140173-51	WASHER	8
305	5140121-48	CYLINDER HEAD	2
306	5140121-49	HEAD GASKET	2
307	5140121-50	VALVE PLATE ASSY.	2
308	5140121-51	CYLINDER GASKET	2
309	5140173-52	FILTER ASSY.	2
309	5140173-53	FILTER ELEMENT	2
310	5140121-54	RING SET	2
311	5140121-55	TEE FITTING	1
312	5140121-56	PISTON ASSY.	2
313	5140121-57	ROD	2
314	5140121-58	CYLINDER	2
315	5140156-33	NUT	8
316	5140173-54	LOCK WASHER	13
317	5140173-55	STUD	8
317	5140173-56	STUD	1
318	5140121-59	CRANKCASE GASKET	1
319	5140121-60	WASHER	1
320	5140209-74	OIL FILL CAP KIT	1
321	5140119-38	OIL SIGHT GLASS	1
322	5140121-63	OIL DRAIN PLUG	1
323	5140173-58	CRANKCASE	1
324	5140121-65	BALL BEARING	1
325	5140121-66	CRANKSHAFT	1
326	5140121-67	BALL BEARING	1
327	5140121-68	OIL SEAL	1
328	5140121-69	GASKET	1

Parts List for PXCMP1682066 Type 1

Item Number	Part Number	Description	Qty Required
329	5140173-59	CARRIER	1
330	5140173-60	BOLT	4
331	5140173-61	FLYWHEEL	1
332	5140173-62	FLAT WASHER	1
333	5140173-63	BOLT	1
334	5140121-72	BREATHER	1
334	5140156-34	BREATHER WASHER	1
335	5140119-45	KEY	1
336	5140121-73	OVERHAUL KIT	1
337	5140121-74	GASKET KIT	1
339	5140119-16	ADAPTER	1
340	5140121-43	BRACKET BELTGUARD	1