



BOSCH

Combi-Angle Grinder

PWS 6-115 | 0 603 278 435

Table of Content

Spare parts list.....	2
Illustration - Type.....	4

Combi-Angle Grinder | PWS 6-115 | 0 603 278 435

Spare parts list

Item	Part Number	Description	Illustration
1	1 605 108 2CC	Motor Housing	1
2	1 604 220 323	Field 100-120V	1
3/50	1 606 610 121	Fan	1
4	1 607 200 086	On-Off Switch	1
4/10	2 910 110 048	Pan head screw DIN 85-AM3x6-CUZN	1
5	2 604 460 189	Power supply cord USA/CDN 2,68m 2 x 082mm SJ 18/2	1
6	2 600 703 011	Grommet Ø8,3-Ø9,4x95 MM	1
6	2 600 703 012	Grommet Ø6,5-Ø6,9x95 MM	1
6	2 600 703 013	Grommet Ø7,6-Ø8,2x95 MM	1
7	1 601 302 017	Fastening Clamp	1
13	2 600 905 032	Ball Bearing 7x19x6	1
14	1 600 905 032	groove ball bearing 8x22x7	1
18	1 604 611 026	Compression Spring	1
21	1 605 806 429	Gear Housing BLACK	1
22	1 602 319 002	Adjusting Slide	1
23	1 602 026 057	Switch Handle BLACK	1
25	1 600 508 014	Housing Cover GRAY	1
26	1 600 502 020	Rubber Bushing	1
27	1 600 206 025	Rubber Ring	1
28	1 605 805 061	Bearing Flange	1
29	1 601 328 005	Air-Deflector Ring	1
32	2 610 904 704	Grinding Spindle M10,SW17	1
35	1 600 136 010	Shim 0,2 MM THICK	1
35	1 600 136 011	Shim 0,3 MM THICK	1
35	1 600 136 012	Shim 0,1 MM THICK	1
36	1 600 150 011	Spring Washer	1
38	1 606 333 606	Crown Gear Z=36	1
39	1 604 652 013	Spiral Spring	1
40	2 916 660 009	Spring retaining ring DIN 472-25x1,2MM	1
41	1 600 910 018	Needle bearing Ø8xØ12x8 MM	1
43	1 606 333 605	Bevel Gear Z=11	1
45	1 603 300 016	Hex Nut M7, SW10	1
47	2 910 211 018	Tapping Screw DIN 7971-ST3,9x13-F	1
48	2 910 211 005	Tapping Screw DIN 7971-ST2,9x9,5-F	1

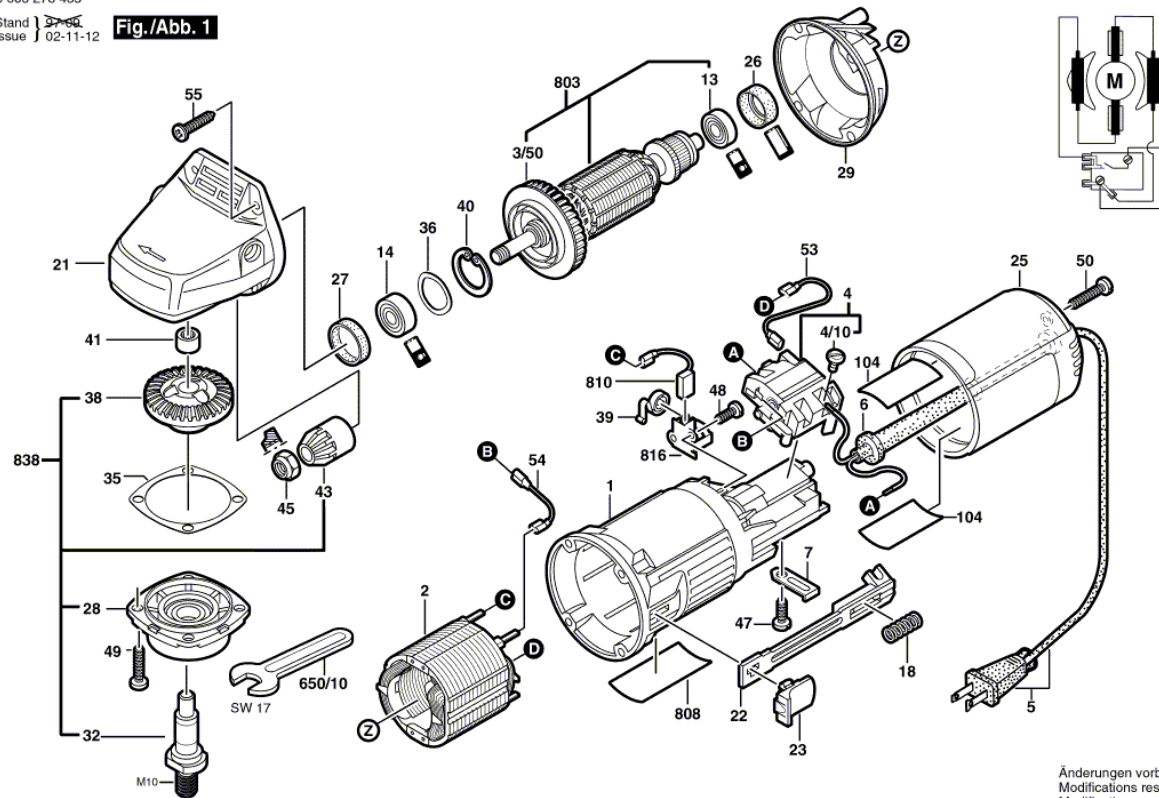
Spare parts list

Item	Part Number	Description	Illustration
50	2 912 401 420	Tapping Screw DIN7981-ST3,9x19-F-Z	1
53	1 604 448 015	Connecting Cable	1
54	1 604 448 016	Connecting Cable	1
55	1 603 435 040	Tapping Screw	1
104	1 601 008 003	Insulating Plate	1
650/10	2 607 950 511	Single-Head Eng. Wrench SW17	1
803	1 604 010 431	Armature With Fan 100-120V	1
808	1 601 11A 3H3	Nameplate	1
810	1 607 014 116	Carbon-Brush Set	1
816	1 600 A00 3G4	Brush Holder	1
838	1 607 000 960	Parts Set	1

Illustration - Type - E

0 603 278 435
 Stand } 3764
 Issue } 02-11-12

Fig./Abb. 1



Änderungen vorbehalten
 Modifications reserved
 Modifications reserves
 Salvo modificaciones