

Combi-Angle Grinder - 0 603 276 039 - PWS 12-180

www.powertools-aftersaleservice.com



BOSCH

Item	Part Number	Description	Illustration	Price	Quantity	Price Group
	1 1 605 108 129	Motor Housing GREEN	1	-,-	1	29
	2 1 604 220 355	Field 110-120V	1	-,-	1	33
	3 1 604 010 322	Armature 115V	1	-,-	1	47
	3/50 1 606 610 126	Fan	1	-,-	1	18
	4 1 607 200 080	Switch	1	-,-	1	33
	5 1 604 460 133	Power supply cord USA/CDN 2,15m 2 x 2,08mm SJ 14/2	1	-,-	1	27
	6 3 600 703 011	Grommet Ø9,2-Ø12x120 MM	1	-,-	1	13
	6 1 600 703 009	Grommet Ø11,5-Ø15,0x150 MM	1	-,-	1	15
	7 1 601 302 013	Fastening Clamp	1	-,-	1	11
	9 1 601 110 046	Sticker	1	-,-	1	11
	13 2 600 905 032	Deep-Groove Ball Bearing 7x19x6	1	-,-	1	17
	14 3 600 905 065	Deep-Groove Ball Bearing	1	-,-	1	-
	17 1 604 652 006	Spiral Spring	1	-,-	2	11
	19 1 605 500 145	Sealing cap GREEN	1	-,-	2	-
	20 2 910 211 019	Tapping Screw DIN 7971-ST3,9x16-F	1	-,-	4	10
	21 1 600 591 009	Air-Deflector Ring	1	-,-	1	13
	24 1 605 132 116	Handle GREEN	1	-,-	1	27
	27 1 600 206 026	Intermediate Ring	1	-,-	1	11
	28 1 600 502 011	Intermediate Ring	1	-,-	1	11
	30 1 601 030 022	Tab Washer	1	-,-	2	11
	31 1 605 806 426	Gear Housing	1	-,-	1	42
	32 1 606 333 603	Crown Gear Z=55	1	-,-	1	28
	32 1 606 333 603	Crown Gear Z=55	1	-,-	1	28
	33 1 606 333 232	Bevel Gear Z=12	1	-,-	1	33
	34 1 600 190 004	Shim 0,1 MM THICK	1	-,-	1	11
	34 1 600 190 005	Shim 0,2 MM THICK	1	-,-	1	11
	35 1 600 290 018	Rotary shaft lip seal	1	-,-	1	16
	37 1 600 150 026	Spring Washer	1	-,-	1	13
	38 1 600 119 009	Spring retaining ring	1	-,-	1	11
	39 2 600 910 001	Needle bearing Ø14 MM	1	-,-	1	16
	40 1 605 808 054	Bearing cover	1	-,-	1	14
	41 1 600 102 012	Cover Disc	1	-,-	1	11
	42 1 603 523 092	Grinding Spindle 5/8"-UNC-2A	1	-,-	1	31

Item	Part Number	Description	Illustration	Price	Quantity	Price Group
43	1 600 108 055	Sealing disk	1	-,-	2	11
45	2 910 011 162	Socket head cap screw DIN 84-AM5x20-5.8	1	-,-	3	10
46	2 910 011 157	Socket head cap screw DIN 84-AM5x15-5.8	1	-,-	4	10
47	1 900 905 227	Deep-Groove Ball Bearing 6203-2 Z DIN 625	1	-,-	1	27
48	1 603 435 012	Tapping Screw B4,8x50 MM	1	-,-	4	11
50	1 603 300 017	Hex Nut	1	-,-	1	12
53	1 601 110 058	Reference Plate DOUBLE INSULATION	1	-,-	1	11
54	1 601 110 358	Reference Plate CAUTION	1	-,-	1	11
56	1 601 110 074	Sticker DOUBLE INSULATION	1	-,-	1	14
57	1 601 025 001	Wire Guide	N/A	-,-	2	11
59	2 910 211 021	Tapping Screw DIN 7971-ST3,9x22-F	1	-,-	3	10
60	2 910 021 118	Socket head cap screw DIN 84-AM4x8-8.8	1	-,-	2	10
61	2 910 211 038	Tapping Screw DIN 7971-ST4,8x38-F	1	-,-	4	11
62	3 604 438 000	Connecting Cable L=235 MM BLUE	1	-,-	2	13
63	1 604 477 001	Blade terminal	1	-,-	2	11
64	2 910 211 018	Tapping Screw DIN 7971-ST3,9x13-F	1	-,-	2	10
65	1 900 452 003	End Splice DIN 46 228-A2,5-7	1	-,-	2	11
80	1 601 110 456	Sticker	N/A	-,-	1	13
650/60	1 907 950 007	Offset Screwdriver DIN 911;SW6	2	-,-	1	15
650/70/1	2 910 021 196	Socket head cap screw DIN 84-AM6x15-8.8	N/A	-,-	2	10
650/80/1	1 608 039 008	Storage Ledge	N/A	-,-	1	17
652/20	2 910 141 240	Hex Socket Head Cap Screw DIN 912-M8x18-8.8	2	-,-	1	11
710	1 601 329 013	Protecting Cover	2	-,-	1	-
712	1 607 000 176	Parts Set Ø180 MM	2	-,-	1	-
712/10	1 605 510 110	Protective Cover Ø 180 MM	2	-,-	1	-
712/10/40	2 910 141 240	Hex Socket Head Cap Screw DIN 912-M8x18-8.8	2	-,-	1	11
712/20	1 608 135 003	Guide Block	2	-,-	1	-
712/20/30	2 910 281 244	Round-Head Bolt DIN 603-M 8x25	2	-,-	2	11
712/20/40	2 915 191 007	Wing Nut DIN 315-M8-GT-C	2	-,-	2	15
712/20/50	2 600 100 041	Plain Washer DIN 315-M8-GT-C	2	-,-	4	11
712/20/60	1 604 643 003	Compression Spring	2	-,-	2	17
750/10	2 602 025 075	Auxiliary Handle M14x1,5 MM BLACK	2	-,-	1	-
750/20	1 607 950 525	Single-Head Eng. Wrench SW17	2	-,-	1	-
750/30	1 607 950 048	Pin-Type Face-Wrench	2	-,-	1	-
750/40	2 600 501 006	Clamping-Flange Ø45 MM	2	-,-	1	25
750/50	1 603 345 025	Round Nut M14	2	-,-	1	-
752	1 605 510 176	Protective Cover Ø180 MM	2	-,-	1	29
801	1 607 000 189	Brush Holder	1	-,-	1	19
810	1 607 014 125	Carbon Brush	N/A	-,-	1	22
888	1 601 106 032	Nameplate 26x52 MM	N/A	-,-	1	13

Illustration - Type E

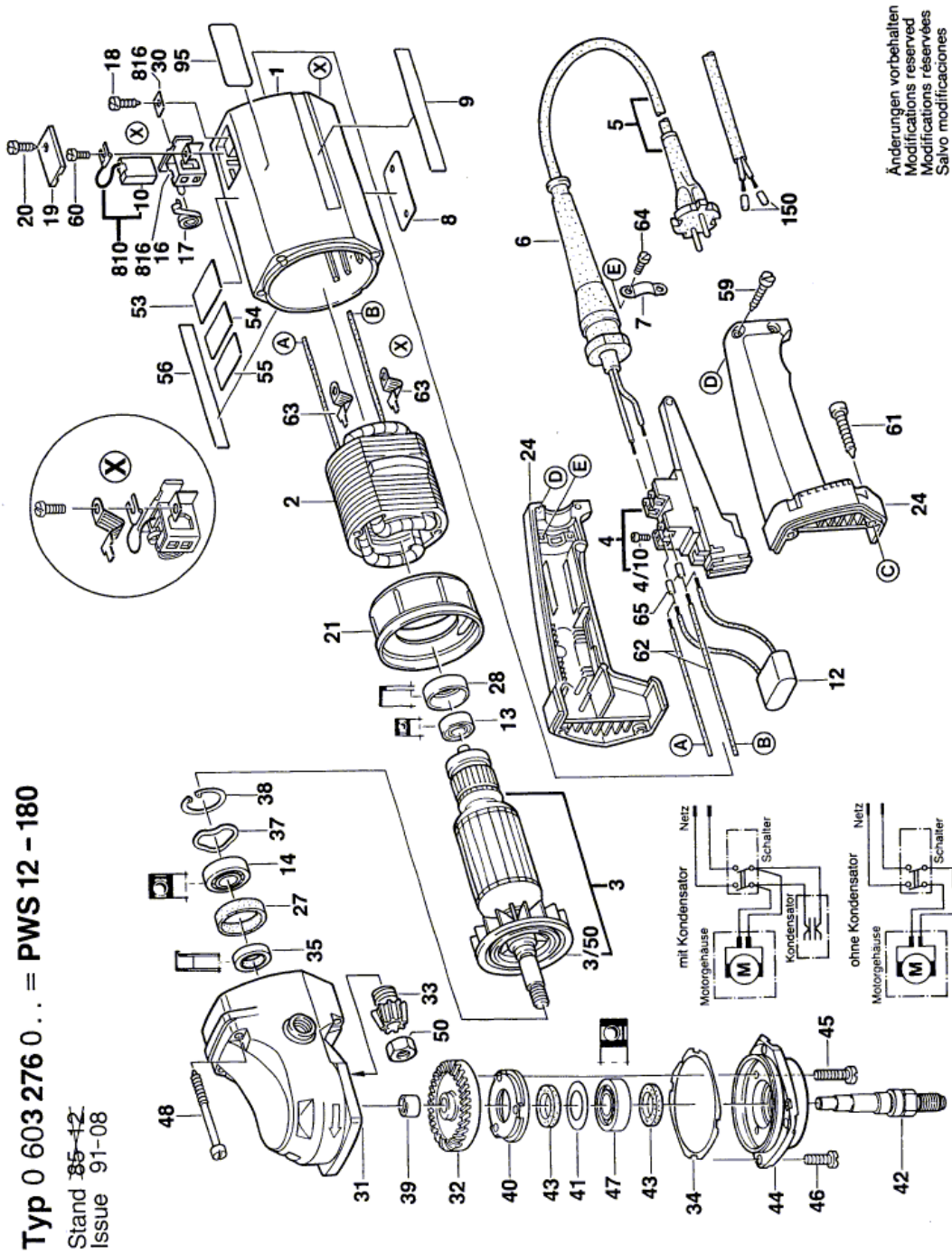
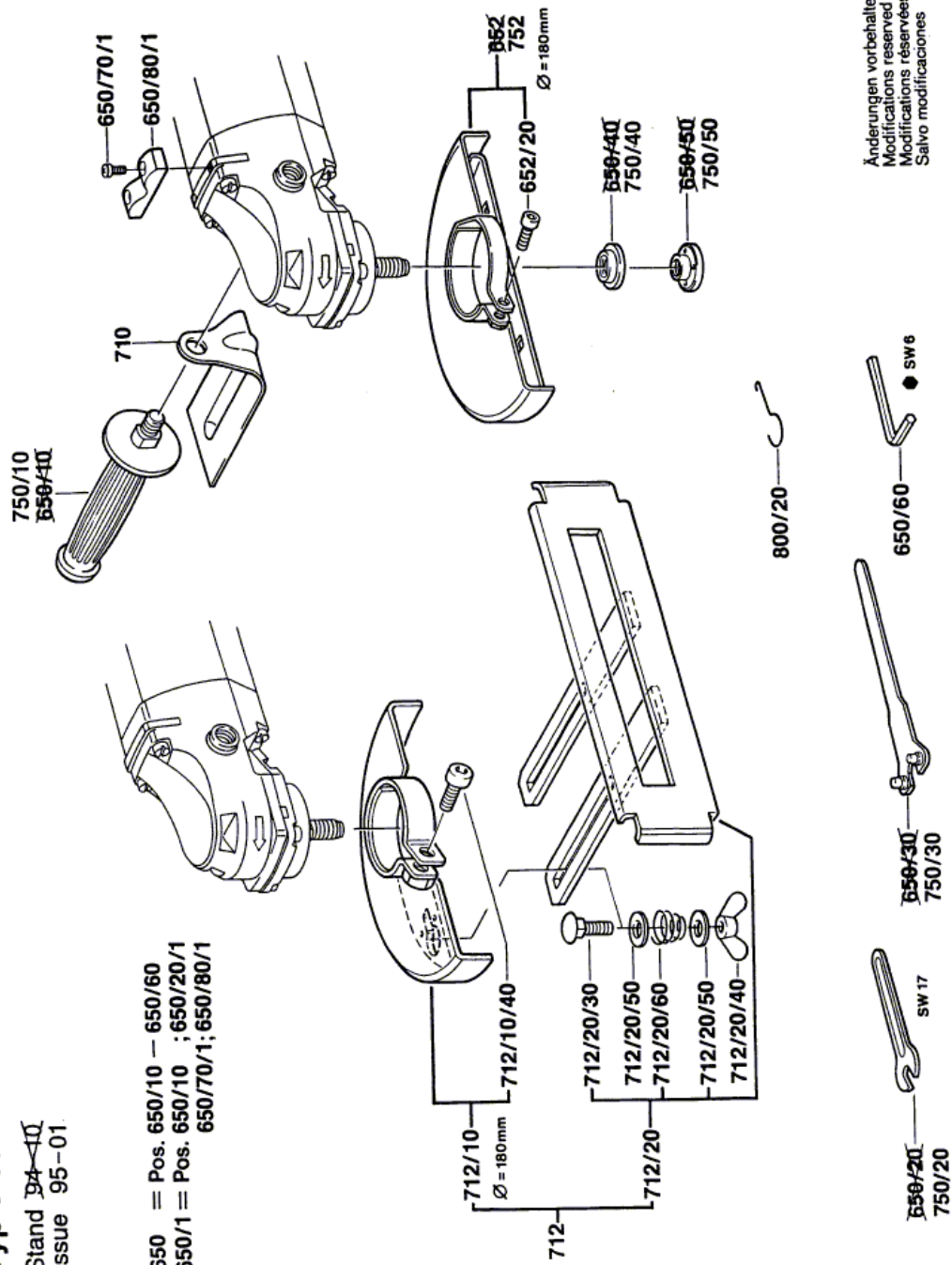


Illustration - Type E

Typ 0 603 276 0.. = PWS 12 - 180

Stand ~~94~~
Issue 95-01.

650 = Pos. 650/10 - 650/60
650/1 = Pos. 650/10 ; 650/20/1
650/70/1; 650/80/1



Änderungen vorbehalten
Modifications reserved
Modificaciones reservadas
Salvo modificaciones

Information subject to change without further notice.